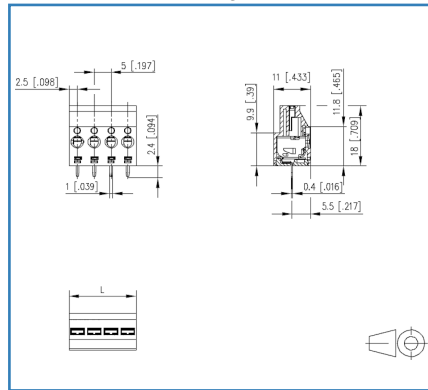


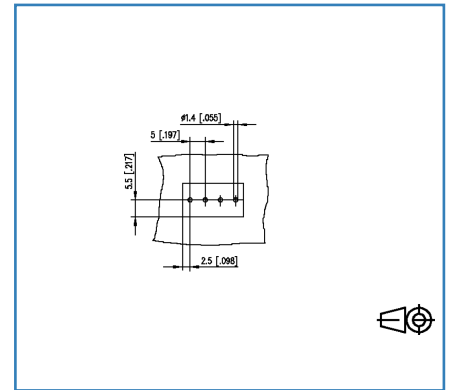
Illustrations



Dimensional drawing



Drill pattern



See enlarged drawings at the end of document



Product specification

- spring clamp terminal block, THT solderable
- centerline 5.00 mm, direction of connection 90°
- fittable without loss of poles
- color black

## Technical Data

General Data			
Solder pin length	2.4 mm		
Min. number of poles	2		
Max. number of poles	12		
Insulating material class	CTI 600		
clearance/creepage dist.	4 mm		
Protection category	IP20		
Min. insul. strip length	8 mm		
Rated current	20 A		
Overvoltage category	III	III	II
Pollution degree	3	2	2
Rated voltage	320 V	800 V	800 V
Rated test voltage	4 kV	4 kV	4 kV

Anschlussdaten	
Rat.wiring solid AWGmax	0.2 mm <sup>2</sup> - 2.5 mm <sup>2</sup> / AWG 24 - AWG 14
Rat.wiring strand.AWGmax	0.2 mm <sup>2</sup> - 2.5 mm <sup>2</sup> / AWG 24 - AWG 12

Approvals	
 V / A / AWG	300 / 19 / 24 - 12
approval UL - File No.	E121004
 2.5 mm <sup>2</sup>	250 V / 4 kV / 20 A

Material	
Insulating material	PPA
Flammability class	V0
Spring material	Spring steel
Contact material	CuSn
Contact surface	Sn
Glow-Wire Flammability GWFI	960 °C acc. to IEC 60695-2-12
Glow-Wire Flammability GWIT	800 °C acc. to IEC 60695-2-13
REACH - substance (SVHC)	none

Climatic Data	
Upper limit temperature	105 °C
Lower limit temperature	-40 °C

general	
Tolerance	ISO 2768 -mH

# U | Contact

Data sheet  
**SR255xxHBNC**

Page 3/5

P/N  
**SR255XXHBNC**  
xx=number of poles  
2020/09/21  
Version: I

## Technical Data

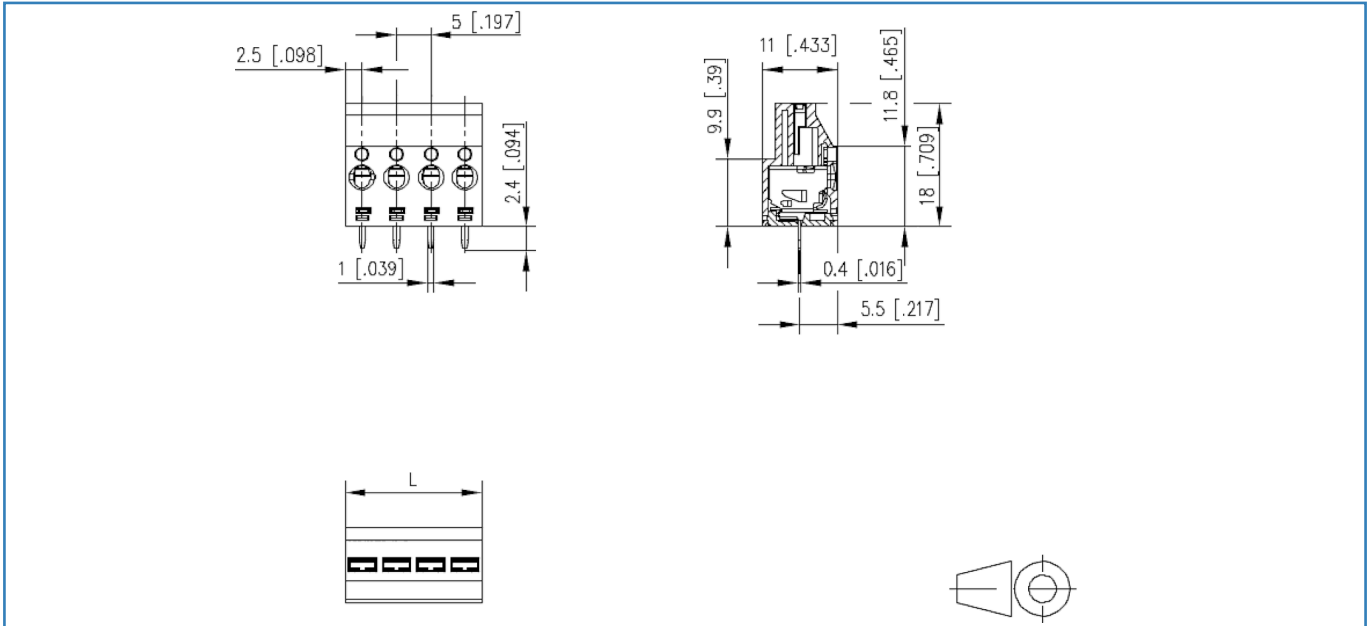
Solderability

Acc. to JEDEC JESD22-B102E 245°C/5s



**Illustrations**

Dimensional drawing



$L = (\text{pole size} - 1) \times \text{centerline} + 5 \text{ mm } [0.197]$

## Illustrations

### Drill pattern

