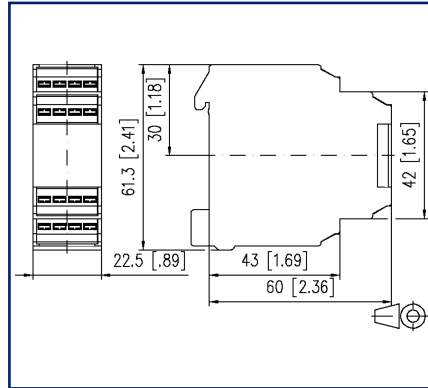


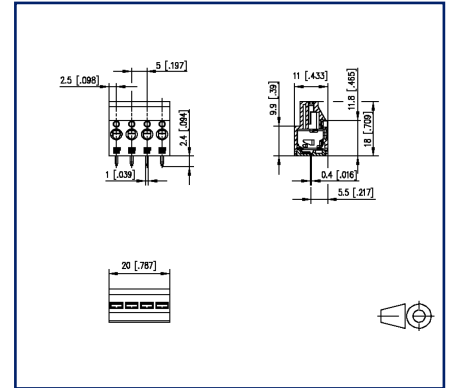
**Illustrations**



Dimensional drawing



Dimensional drawing





See enlarged drawings at the end of document

**Product specification**

- spring clamp terminal block, THT solderable
- centerline 5.00 mm, direction of connection 90°
- fittable without loss of poles
- color black

## Technical Data

General Data			
Solder pin length	2.4 mm		
pole size	4		
Insulating material class	CTI 600		
clearance/creepage dist.	4 mm		
Protection category	IP20		
Min. insul. strip length	8 mm		
Rated current	20 A		
Overvoltage category	III	III	II
Pollution degree	3	2	2
Rated voltage	320 V	800 V	800 V
Rated test voltage	4 kV	4 kV	4 kV
Terminal data			
rat.wiring solid AWGmax	0.2 mm <sup>2</sup> - 2.5 mm <sup>2</sup> / AWG 24 - AWG 14		
rat.wiring strand.AWGmax	0.2 mm <sup>2</sup> - 2.5 mm <sup>2</sup> / AWG 24 - AWG 12		
Approvals			
 V / A / AWG	300 / 19 / 24 - 12		
approval UL - File No.	E121004		
 2.5 mm <sup>2</sup>	250 V / 4 kV / 20 A		
Material			
insulating material	PPA		
flammability class	V0		
spring material	Spring steel		
contact material	CuSn		
Contact surface	Sn		
Glow-Wire Flammability GWFI	960 °C acc. to IEC 60695-2-12		
Glow-Wire Flammability GWIT	800 °C acc. to IEC 60695-2-13		
REACH	compliant		
REACH - substance (SVHC)	none		
Climatic Data			
upper limit temperature	105 °C		
lower limit temperature	-40 °C		
general			

# U | Contact

Data sheet  
**SR25504HBNC, 4-pole**

Page 3/6

P/N  
**SR25504HBNC**

2022/04/05  
Version: A

## Technical Data

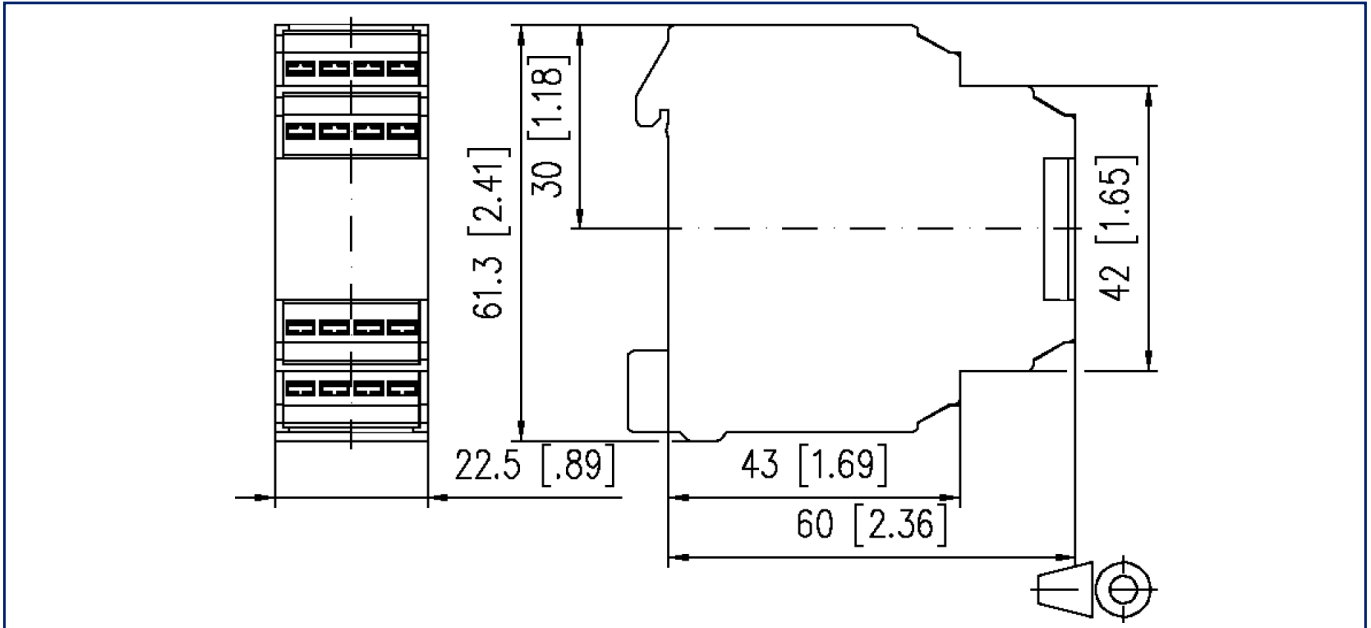
Tolerance	ISO 2768 -mH
Solderability	Acc. to JEDEC JESD22-B102E 245°C/5s

© 2022 METZ CONNECT - Technische Änderungen vorbehalten! Subject to modifications! Sous réserve de modifications techniques!



**Illustrations**

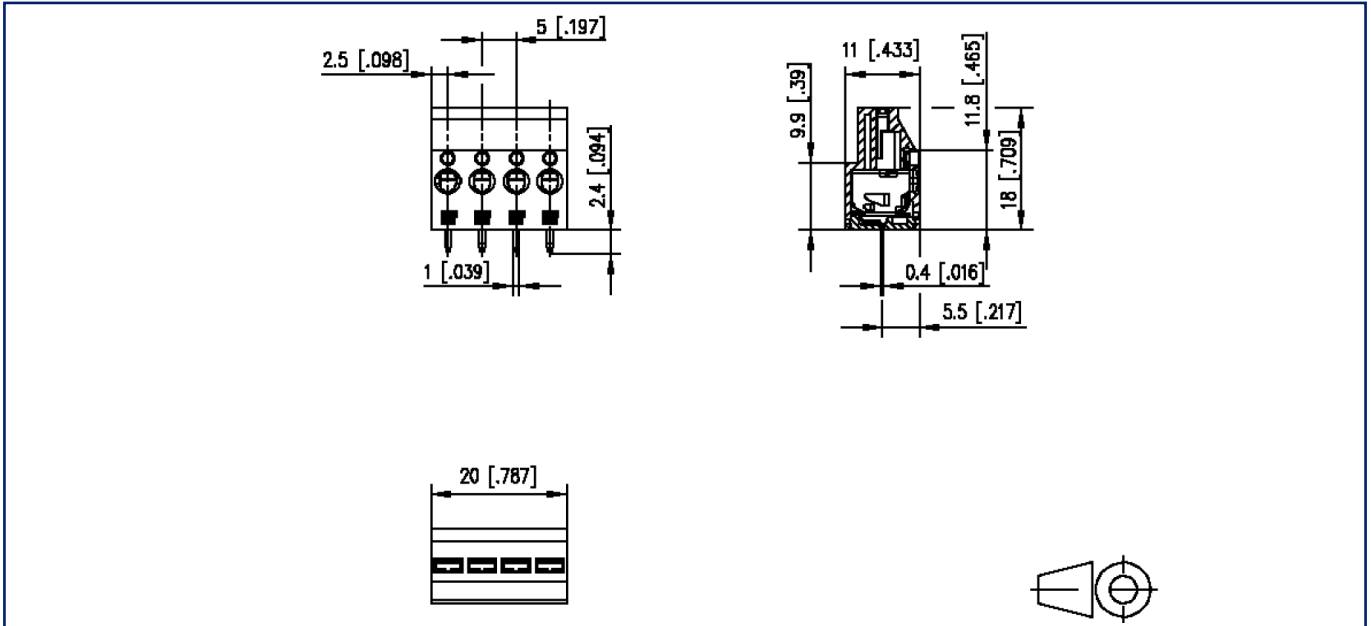
Dimensional drawing



$L = (\text{pole size} - 1) \times \text{centerline} + 5 \text{ mm} [0.197]$

## Illustrations

Dimensional drawing



$L = (\text{pole size} - 1) \times \text{centerline} + 5 \text{ mm} [0.197]$

**Illustrations**

Drill pattern

