

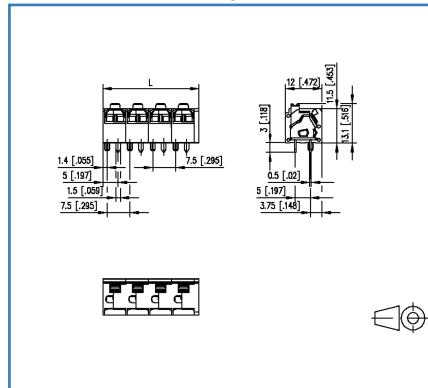
Data sheet

SR207XXDBVN

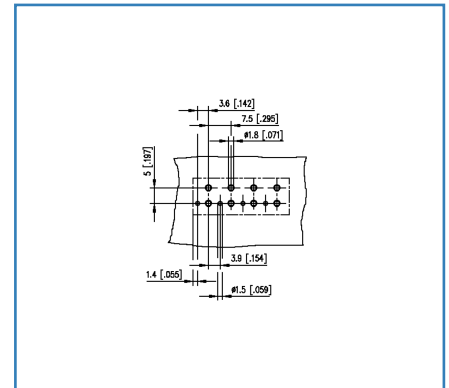
Illustrations



Dimensional drawing



Drill pattern



See enlarged drawings at the end of document

Product specification

- spring clamp terminal block, THR solderable, double solder pins
- centerline 7.50 mm, direction of connection 45°
- color black
- push-button, double solder pins

Technical Data



General Data

Solder pin length	3 mm		
min. number of poles	1		
max. number of poles	12		
Insulating material class	CTI 600		
clearance/creepage dist.	4.7 mm		
protection category	IP20		
Min. insul. strip length	9 mm		
Overvoltage category	III	III	II
Pollution degree	3	2	2
Rated voltage	320 V	800 V	800 V
Rated test voltage	4 kV	4 kV	4 kV

Connection Data

rat.wiring solid AWGmax	0.5 mm ² - 2.5 mm ² / AWG 20 - AWG 14		
rat.wiring strand.AWGmax	0.5 mm ² - 2.5 mm ² / AWG 20 - AWG 14		

Approvals

 V / A / AWG	300 / 16 / 20 - 14		
 2.5 mm ²	250 V / 24 A / 24A / T60		

Material

insulating material	PA66/6T
flammability class	V0
spring material	Spring steel
contact material	CuSn
contact surface	Sn
Glow-Wire Flammability GWFI	960 °C acc. to IEC 60695-2-12
Glow-Wire Flammability GWIT	775 °C acc. to IEC 60695-2-13

Climatic Data

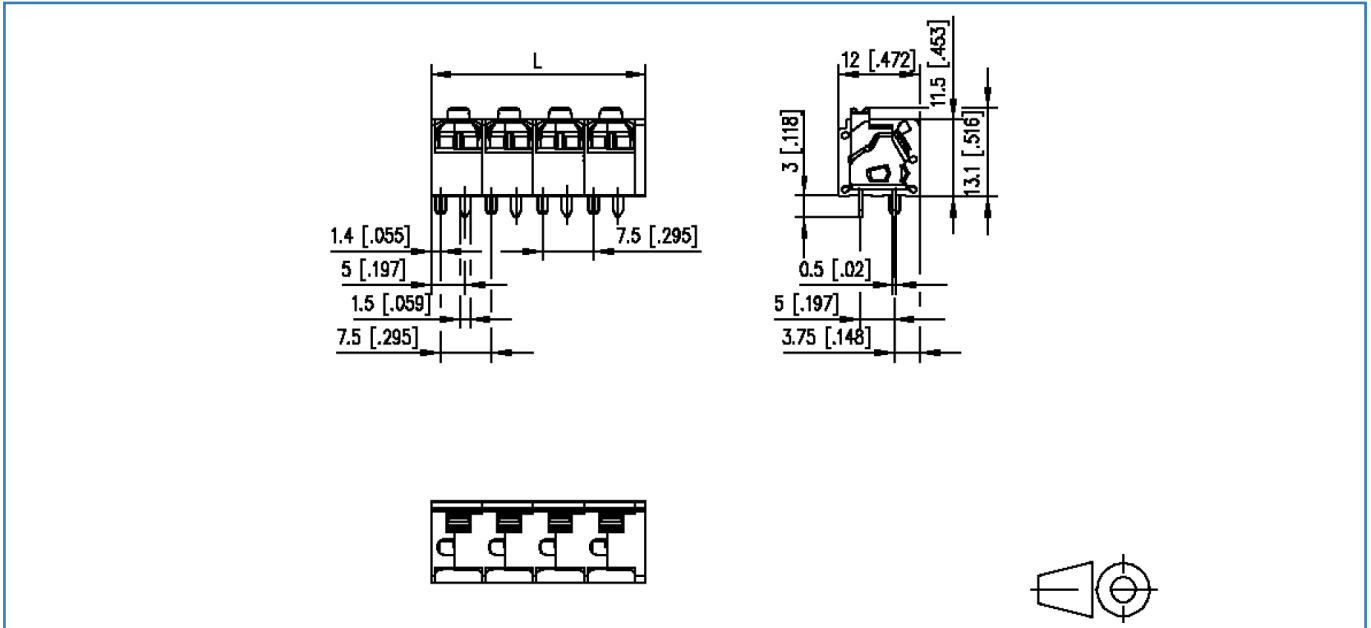
upper limit temperature	125 °C
lower limit temperature	-40 °C

General

Tolerance	ISO 2768 -mH
Solderability	Acc. to IPC/JEDEC J-STD-020D-MSL 1

Illustrations

Dimensional drawing

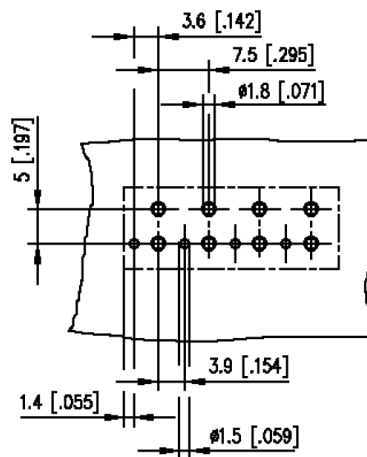


$L = (\text{pole size} - 1) \times \text{centerline} + 9.1 \text{ mm} [0.358]$

© 2019 METZ CONNECT - Technische Änderungen vorbehalten! Subject to modifications! Sous réserve de modifications techniques!

Illustrations

Drill pattern



© 2019 METZ CONNECT - Technische Änderungen vorbehalten! Subject to modifications! Sous réserve de modifications techniques!

