

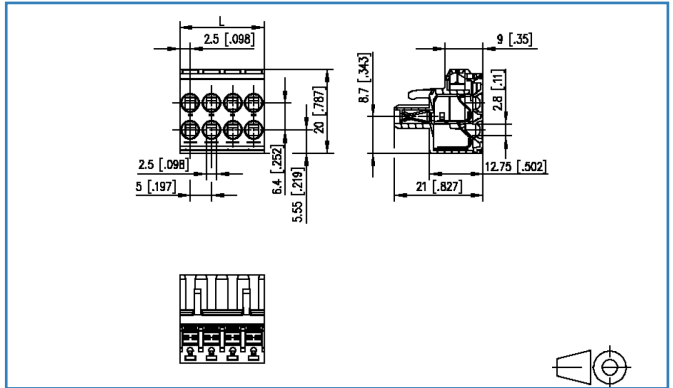
Data sheet

SP995xxVBNC

Illustrations



Dimensional drawing



See enlarged drawings at the end of document

Product specification

- spring clamp terminal block, pluggable
- centerline 5.00 mm, direction of connection vertical 0°
- fittable without loss of poles
- color black
- two connections per pole

Technical Data



General Data

min. number of poles	2		
max. number of poles	8		
Insulating material class	CTI 600		
clearance/creepage dist.	3.2 mm		
protection category	IP20		
Min. insul. strip length	9 mm		
Overvoltage category	III	III	II
Pollution degree	3	2	2
Rated voltage	250 V	630 V	630 V
Rated test voltage	4 kV	4 kV	4 kV

Connection Data

rat.wiring solid AWGmax	0.2 mm ² - 2.5 mm ² / AWG 24 - AWG 14		
rat.wiring strand.AWGmax	0.2 mm ² - 2.5 mm ² / AWG 24 - AWG 12		

Approvals

 V / A / AWG	300 / 14 / 24 - 14		
approval UL - File No.	E121004		
 2.5 mm ²	250 V / 4 kV / 12 A		

Material

insulating material	PA66
flammability class	V0
spring material	Spring steel
contact material	CuSn
contact surface	Sn
Glow-Wire Flammability GWFI	960 °C acc. to IEC 60695-2-12
Glow-Wire Flammability GWIT	775 °C acc. to IEC 60695-2-13

Climatic Data

upper limit temperature	105 °C
lower limit temperature	-40 °C

General

Tolerance	ISO 2768 -mH
-----------	--------------

Accessories

P/N	Designation
700025-01-5	Kodierstern blau mit 6 Kodierstiften F_Kodier_blp
700025-01-9	700025
700025-02-2	F_Kodier_swg

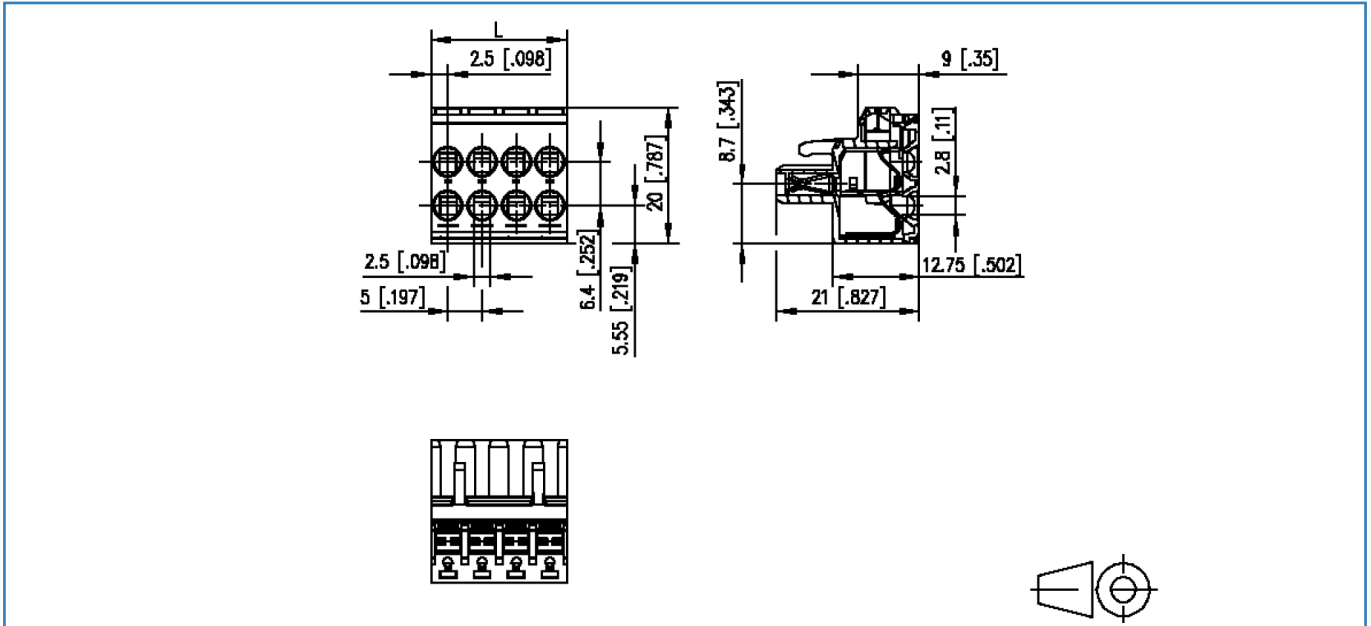


Counterpart

P/N	Designation
310201	PT045xxVBBN Typ 020
310301	PT045xxHBBN Typ 030
310311	PT045xxHBVC Typ 031
310321	PT045xxHBVN Typ 032
311761	PR065xxHBBN Typ 176
311771	PR065xxVBBN Typ 177
312701	PT175xxVGDN Typ 270
312741	PT165xxVGDN Typ 274
312761	PT165xxHGDN Typ 276
312781	PT105xxVGDN Typ 278
312801	PT105xxHGDN Typ 280
313191	PT115xxVBEC Typ 319
313201	PT115xxVBBN Typ 320
313291	PT115xxHBEC Typ 329
313301	PT115xxHBBN Typ 330
313371	PR075xxHBEL Typ 337
313381	PR075xxHBER Typ 338
314761	PR065xxHBEC Typ 476
314771	PR065xxVBEC Typ 477

Illustrations

Dimensional drawing



$L = (\text{pole size} - 1) \times \text{centerline} + 5 \text{ mm [0.197]}$