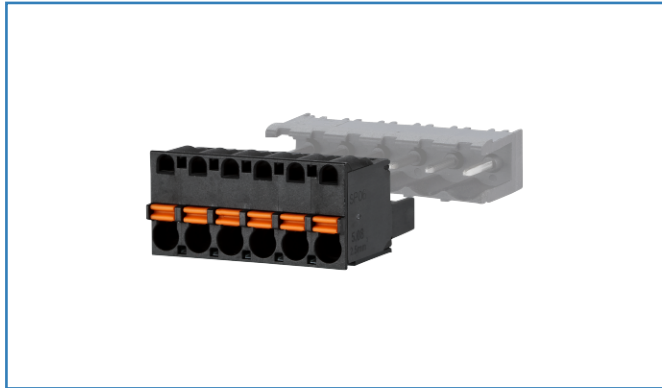


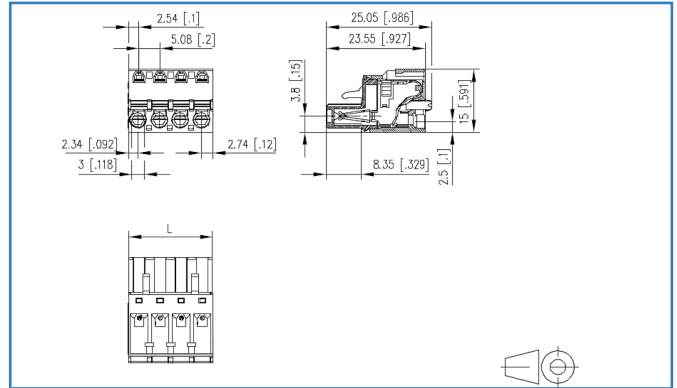
Data sheet

SP066xxVBNC

Illustrations



Dimensional drawing





See enlarged drawings at the end of document

Product specification

- spring clamp terminal block, pluggable
- centerline 5.08 mm, direction of connection vertical 0°
- fittable without loss of poles
- color black
- push-button, wire entry uncodeable side parallel to plug direction

Technical Data

General Data			
min. number of poles	2		
max. number of poles	24		
Insulating material class	CTI 600		
clearance/creepage dist.	3.58 mm		
protection category	IP20		
Min. insul. strip length	10 mm		
Overvoltage category	III	III	II
Pollution degree	3	2	2
Rated voltage	250 V	630 V	630 V
Rated test voltage	4 kV	4 kV	4 kV
Connection Data			
rat.wiring solid AWGmax	0.08 mm ² - 2.5 mm ² / AWG 28 - AWG 12		
rat.wiring strand.AWGmax	0.08 mm ² - 2.5 mm ² / AWG 28 - AWG 12		
Approvals			
 V / A / AWG	300 / 12 / 28 - 12		
 2.5 mm ²	250 V / 4 kV / 12 A		
Material			
insulating material	PA66		
flammability class	V0		
spring material	Spring steel		
contact material	CuSn		
contact surface	Sn		
Glow-Wire Flammability GWF1	960 °C acc. to IEC 60695-2-12		
Glow-Wire Flammability GWIT	775 °C acc. to IEC 60695-2-13		
Ball pressure test	125 °C acc. to IEC 60695-10-2		
Climatic Data			
upper limit temperature	105 °C		
lower limit temperature	-40 °C		
General			
Tolerance	ISO 2768 -mH		



Accessories

P/N	Designation
700025-01-5	Kodierstern blau mit 6 Kodierstiften F_Kodier_blp
700025-01-9	700025
840020-02	Drahtbrücke 0.8 RM 5.0 Drahtbrücke 0.8 RM 5.0

© 2019 METZ CONNECT - Technische Änderungen vorbehalten! Subject to modifications! Sous réserve de modifications techniques!



Counterpart

P/N	Designation
312191	PT116xxVBEC Typ 219
312201	PT116xxVBBN Typ 220
314781	PR066xxHBEC Typ 478
314791	PR066xxVBEC Typ 479

© 2019 METZ CONNECT - Technische Änderungen vorbehalten! Subject to modifications! Sous réserve de modifications techniques!



U | Contact

Data sheet
SP066xxVBNC

Page 5/6

P/N
SP066XXVBNC
xx=number of poles
2019/10/31
Version: A

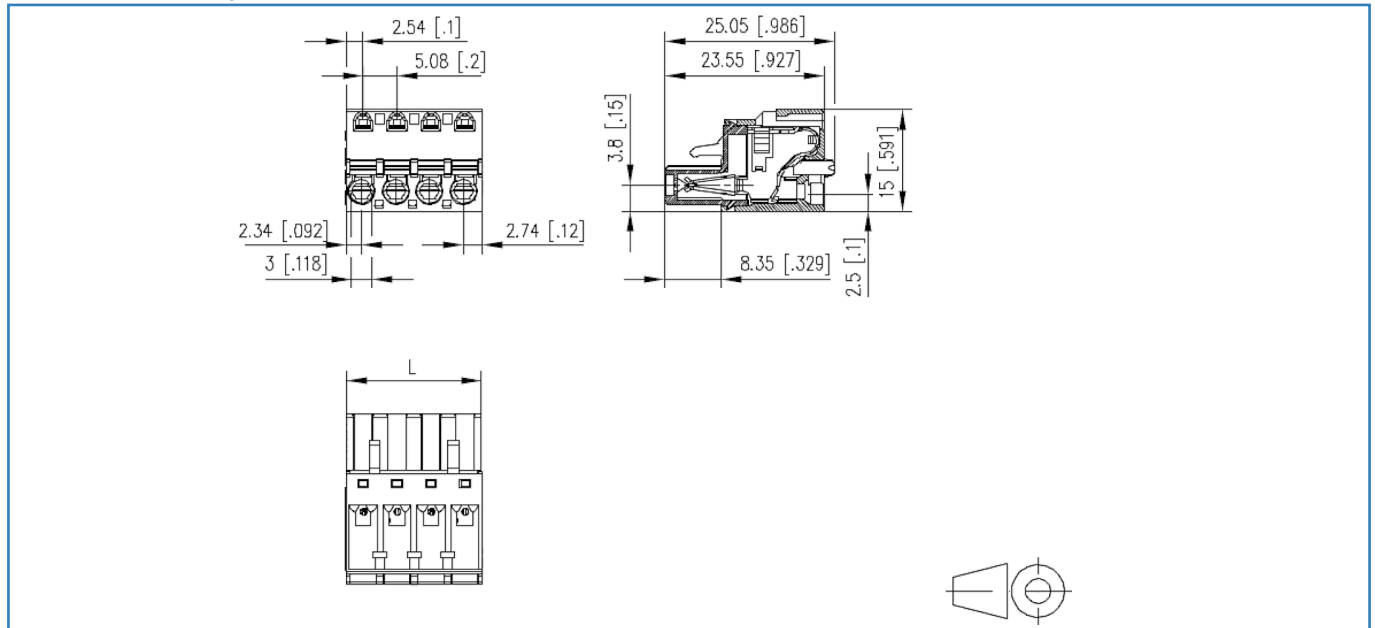
Counterpart of

P/N	Designation
311781	PR066xxHBBN Typ 178



Illustrations

Dimensional drawing



$L = (\text{pole size} - 1) \times \text{centerline} + 5.08 \text{ mm} [0.2]$

© 2019 METZ CONNECT - Technische Änderungen vorbehalten! Subject to modifications! Sous réserve de modifications techniques!