

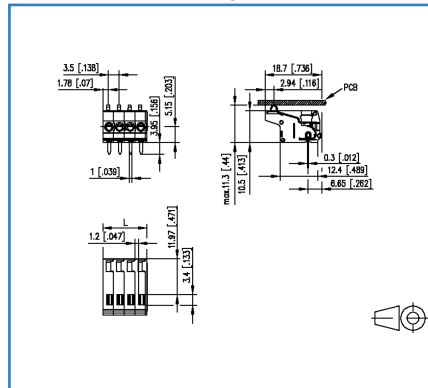
# Data sheet

## SL303XXHBNN

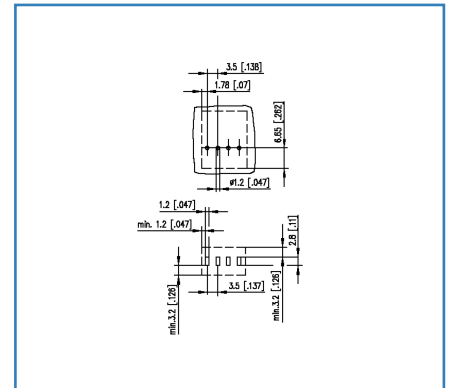
### Illustrations



Dimensional drawing



Drill pattern



See enlarged drawings at the end of document

### Product specification

- spring clamp terminal block, solderable
- centerline 3.50 mm, direction of connection 90°
- color black

## Technical Data

### General Data

Solder pin length	3.95 mm		
min. number of poles	2		
max. number of poles	12		
Insulating material class	CTI 600		
clearance/creepage dist.	2.4 mm		
protection category	IP00		
Min. insul. strip length	7.5 mm		
Overvoltage category	III	III	II
Pollution degree	3	2	2
Rated voltage	160 V	400 V	400 V
Rated test voltage	2.5 kV	2.5 kV	2.5 kV

### Connection Data

rat.wiring solid AWGmax	0.08 mm <sup>2</sup> - 1.5 mm <sup>2</sup> / AWG 28 - AWG 16		
rat.wiring strand.AWGmax	0.08 mm <sup>2</sup> - 1.5 mm <sup>2</sup> / AWG 28 - AWG 16		

### Approvals

 V / A / AWG	150 / 4 / 28 - 16		
 1.5 mm <sup>2</sup>	130 V / 4 A / 4A / T60		

### Material

insulating material	PA46
flammability class	V0
spring material	Spring steel
contact material	CuSn
contact surface	Sn
Glow-Wire Flammability GWFI	-
Glow-Wire Flammability GWIT	-

### Climatic Data

upper limit temperature	105 °C
lower limit temperature	-40 °C

### General

Tolerance	ISO 2768 -mH
Solderability	Acc. to JEDEC JESD22-B102E 245°C/5s

### Sicherheitshinweis

# U | Contact

Data sheet  
**SL303XXHBNN**

Page 3/5

P/N  
**SL303XXHBNN**  
xx=number of poles  
2019/10/31  
Version: U

## Technical Data

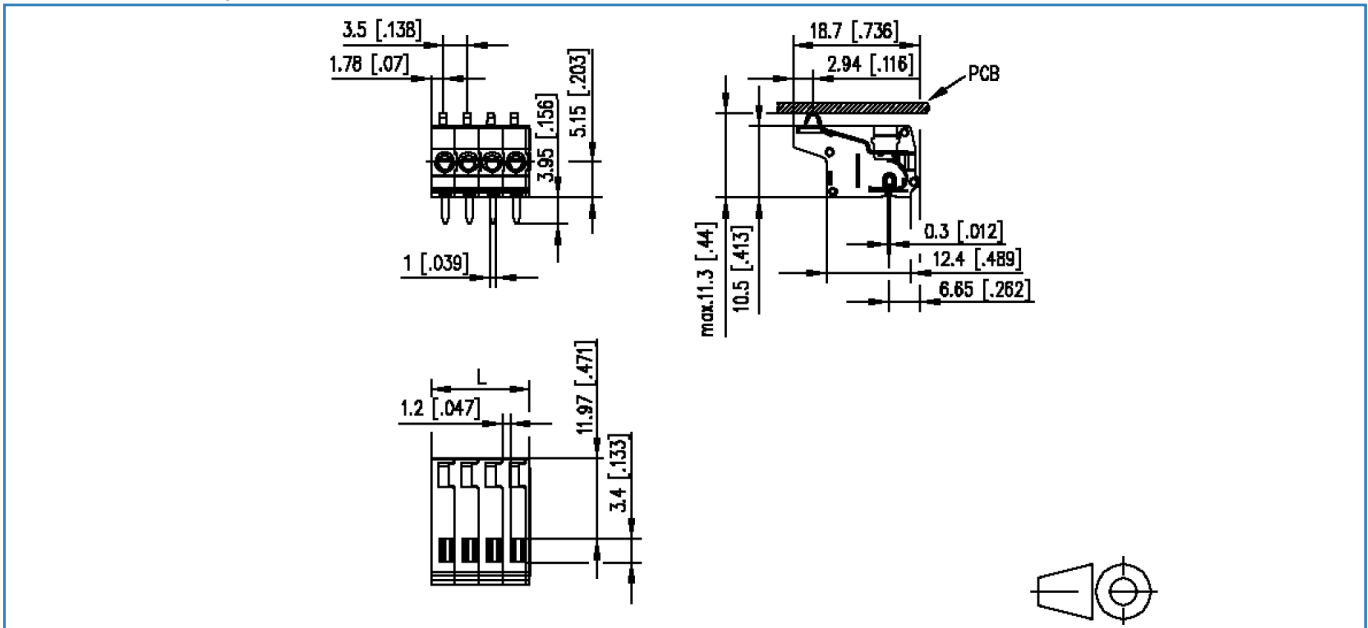
Safety instructions

1. Disconnect device from mains before opening, because of exposed contacts



**Illustrations**

Dimensional drawing



$L = (\text{pole size} - 1) \times \text{centerline} + 4.5 \text{ mm} [0.177]$

© 2019 METZ CONNECT - Technische Änderungen vorbehalten! Subject to modifications! Sous réserve de modifications techniques!

**Illustrations**

Drill pattern

