

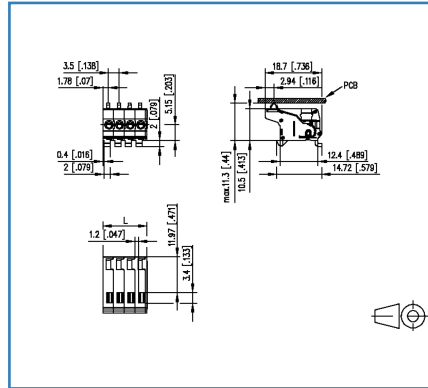
# Data sheet

## SC303XXHBNN

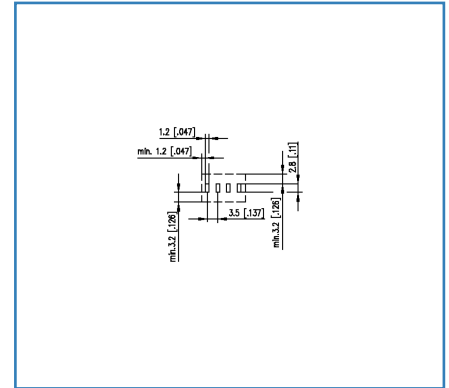
### Illustrations



Dimensional drawing



Drill pattern





See enlarged drawings at the end of document

### Product specification

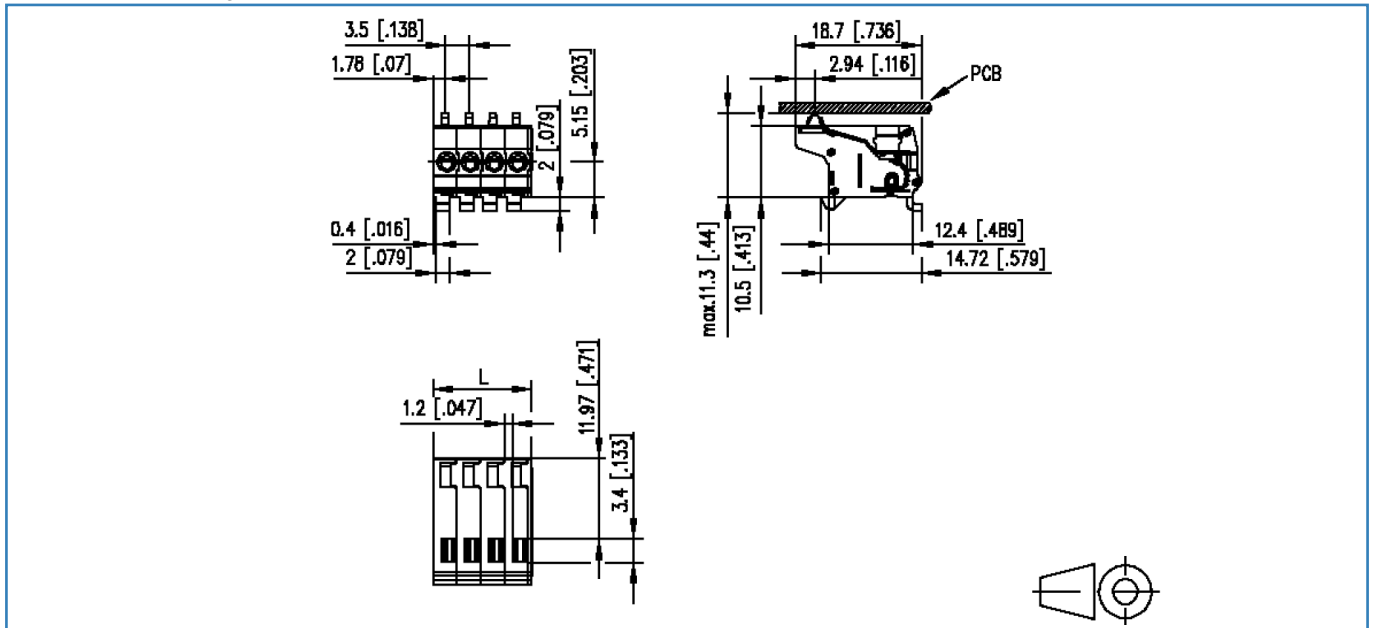
- spring clamp terminal block, pluggable
- centerline 3.50 mm, direction of connection 90°
- color black

## Technical Data

General Data			
min. number of poles	2		
max. number of poles	12		
Insulating material class	CTI 600		
clearance/creepage dist.	2.4 mm		
protection category	IP00		
Min. insul. strip length	7.5 mm		
Overvoltage category	III	III	II
Pollution degree	3	2	2
Rated voltage	160 V	400 V	400 V
Rated test voltage	2.5 kV	2.5 kV	2.5 kV
Connection Data			
rat.wiring solid AWGmax	0.08 mm <sup>2</sup> - 1.5 mm <sup>2</sup> / AWG 28 - AWG 16		
rat.wiring strand.AWGmax	0.08 mm <sup>2</sup> - 1.5 mm <sup>2</sup> / AWG 28 - AWG 16		
Approvals			
 V / A / AWG	150 / 4 / 28 - 16		
 1.5 mm <sup>2</sup>	T60 / 130 V / 4 A / 3 /		
Material			
insulating material	PA46		
flammability class	V0		
spring material	Spring steel		
contact material	CuSn		
contact surface	Sn		
Glow-Wire Flammability GWFI	-		
Glow-Wire Flammability GWIT	-		
Climatic Data			
upper limit temperature	105 °C		
lower limit temperature	-40 °C		
General			
Tolerance	ISO 2768 -mH		
Sicherheitshinweis			
Safety instructions	1. Disconnect device from mains before opening, because of exposed contacts 2. Housing cutout to lock the terminal block must be insulating		

**Illustrations**

Dimensional drawing

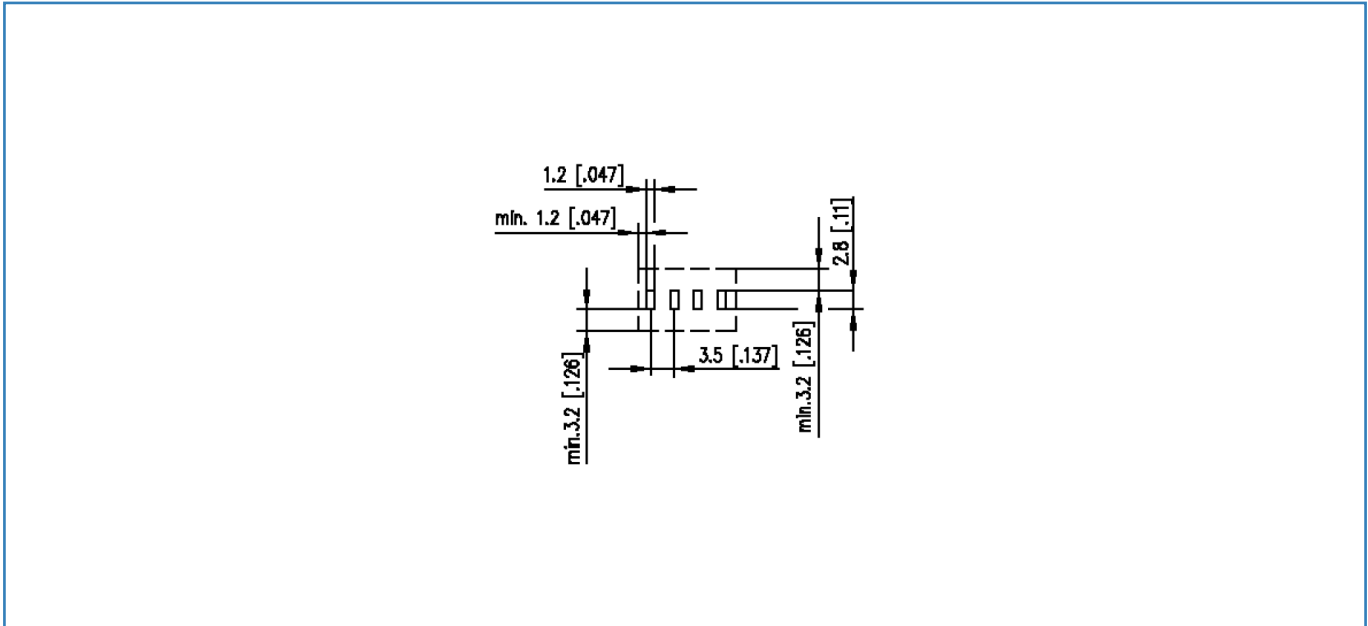


L=(pole size - 1) x centerline + 4.5 mm [0.177]

© 2019 METZ CONNECT - Technische Änderungen vorbehalten! Subject to modifications! Sous réserve de modifications techniques!

**Illustrations**

Drill pattern



Application example

