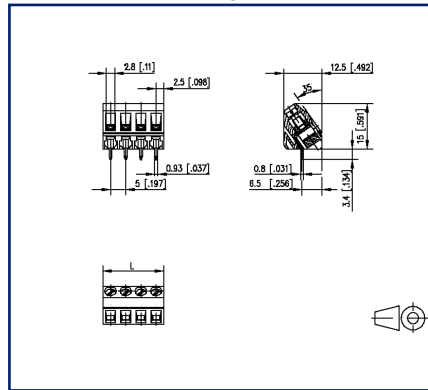


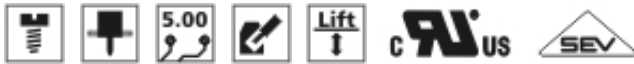
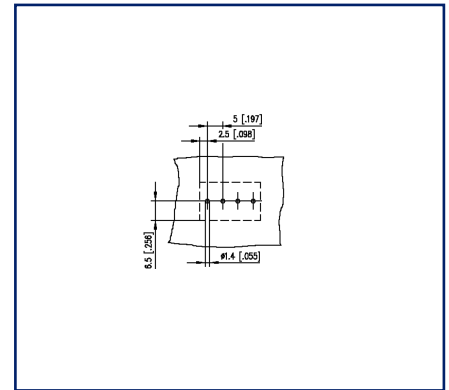
**Illustrations**



Dimensional drawing



Drill pattern





See enlarged drawings at the end of document

**Product specification**

- screw type terminal block, solderable
- centerline 5.00 mm, direction of connection 55°
- lift system, fittable without loss of poles
- color black

### Technical Data

General Data			
Tightening torque SEV	0.5 Nm		
Tightening torque UL	4.4 lb-in		
Solder pin length	3.4 mm		
min. number of poles	2		
max. number of poles	24		
Insulating material class	CTI 600		
clearance/creepage dist.	3.2 mm		
Protection category	IP20		
Min. insul. strip length	7 mm		
Rated current	15 A		
Overvoltage category	III	III	II
Pollution degree	3	2	2
Rated voltage	160 V	400 V	400 V
Rated test voltage	2.5 kV	2.5 kV	2.5 kV
Terminal data			
rat.wiring solid AWGmax	0.34 mm <sup>2</sup> - 2.5 mm <sup>2</sup> / AWG 28 - AWG 12		
rat.wiring strand.AWGmax	0.34 mm <sup>2</sup> - 2.5 mm <sup>2</sup> / AWG 28 - AWG 12		
Approvals			
extended wiring UL	2 AWG 16-18, or 1 AWG 16 stranded with 1 AWG 18 solid, or 1 AWG 16 stranded with 1 AWG 18 stranded		
 V / A / AWG	300 / 15 / 28 - 12		
approval UL - File No.	E121004		
 2.5 mm <sup>2</sup>	250 V / 24 A / T60		
Material			
insulating material	PA66		
flammability class	V0		
contact material	CuZnPb		
Contact surface	Ni + Sn		
terminal body thread	M3		
terminal body material	CuZnPb		
terminal body surface	Ni		
screw thread	M3		
screw material	8,8		

# U | Contact

## Data sheet RT045xxUBL C Typ 205

Page 3/5

P/N  
312051xx

xx=number of poles

2022/04/05

Version: Z

### Technical Data

screw surface	Zn Cr(VI)-frei/free
Glow-Wire Flammability GWFI	960 °C acc. to IEC 60695-2-12
Glow-Wire Flammability GWIT	775 °C acc. to IEC 60695-2-13
REACH	compliant
REACH - substance (SVHC)	Lead / 7439-92-1

### Climatic Data

upper limit temperature	105 °C
lower limit temperature	-40 °C

### general

Tolerance	ISO 2768 -mH
Solderability	Acc. to JEDEC JESD22-B102E 245°C/5s



# U | Contact

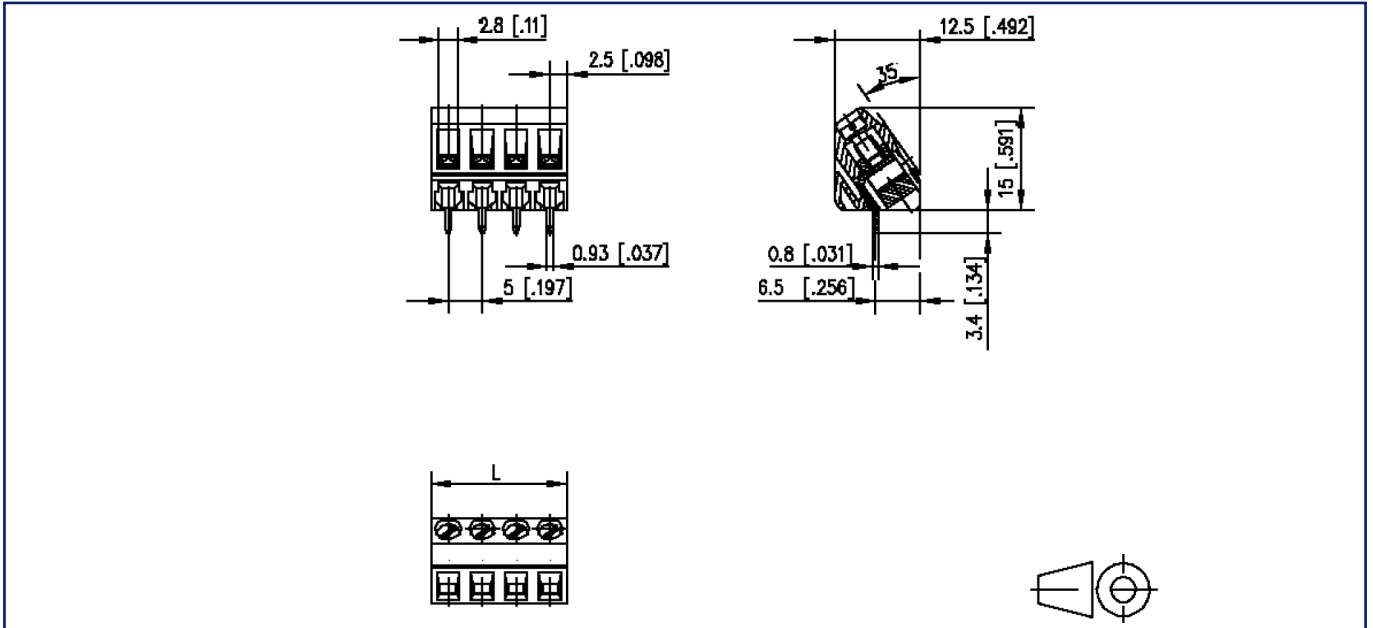
Data sheet  
**RT045xxUBLCL Typ 205**

Page 4/5

P/N  
**312051xx**  
 xx=number of poles  
 2022/04/05  
 Version: Z

## Illustrations

Dimensional drawing



$L = (\text{pole size} - 1) \times \text{centerline} + 5 \text{ mm} [0.197]$

© 2022 METZ CONNECT - Technische Änderungen vorbehalten! Subject to modifications! Sous réserve de modifications techniques!

## Illustrations

### Drill pattern

