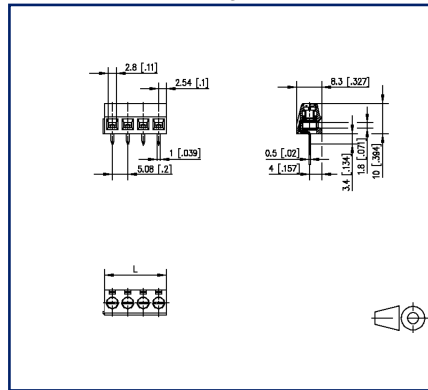


**Data sheet**  
**RT036xxHBLU Typ 095**

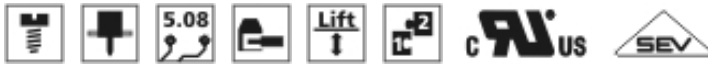
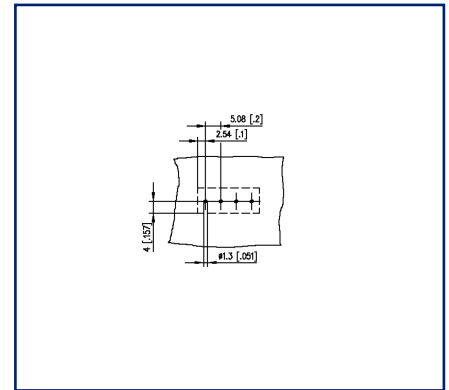
**Illustrations**



Dimensional drawing



Drill pattern





See enlarged drawings at the end of document

**Product specification**

- screw type terminal block, solderable
- centerline 5.08 mm, direction of connection 90°
- lift system, modular
- color black

## Technical Data

General Data			
Tightening torque SEV	0.5 Nm		
Tightening torque UL	4.4 lb-in		
Solder pin length	3.4 mm		
min. number of poles	2		
max. number of poles	3		
Insulating material class	CTI 600		
clearance/creepage dist.	3.2 mm		
Protection category	IP20		
Min. insul. strip length	6 mm		
Rated current	13.5 A		
Overvoltage category	III	III	II
Pollution degree	3	2	2
Rated voltage	50 V	250 V	250 V
Rated test voltage	2.5 kV	2.5 kV	2.5 kV
Terminal data			
rat.wiring solid AWGmax	0.2 mm <sup>2</sup> - 1.5 mm <sup>2</sup> / AWG 26 - AWG 16		
rat.wiring strand.AWGmax	0.2 mm <sup>2</sup> - 1 mm <sup>2</sup> / AWG 26 - AWG 16		
Approvals			
 V / A / AWG	300 / 10 / 26 - 16		
approval UL - File No.	E121004		
 1.5 mm <sup>2</sup>	250 V / 17.5 A / T60		
Material			
insulating material	PA66		
flammability class	V0		
contact material	CuSn		
Contact surface	Sn		
terminal body thread	M3		
terminal body material	CuZnPb		
terminal body surface	Ni		
screw thread	M3		
screw material	8,8		
screw surface	Zn Cr(VI)-frei/free		

# U | Contact

## Data sheet RT036xxHBLU Typ 095

Page 3/5

P/N  
310951xx

xx=number of poles

2022/04/05

Version: Y

### Technical Data

Glow-Wire Flammability GWFI	960 °C acc. to IEC 60695-2-12
Glow-Wire Flammability GWIT	775 °C acc. to IEC 60695-2-13
REACH	compliant
REACH - substance (SVHC)	Lead / 7439-92-1

### Climatic Data

upper limit temperature	105 °C
lower limit temperature	-40 °C

### general

Tolerance	ISO 2768 -mH
Solderability	Acc. to JEDEC JESD22-B102E 245°C/5s

# U | Contact

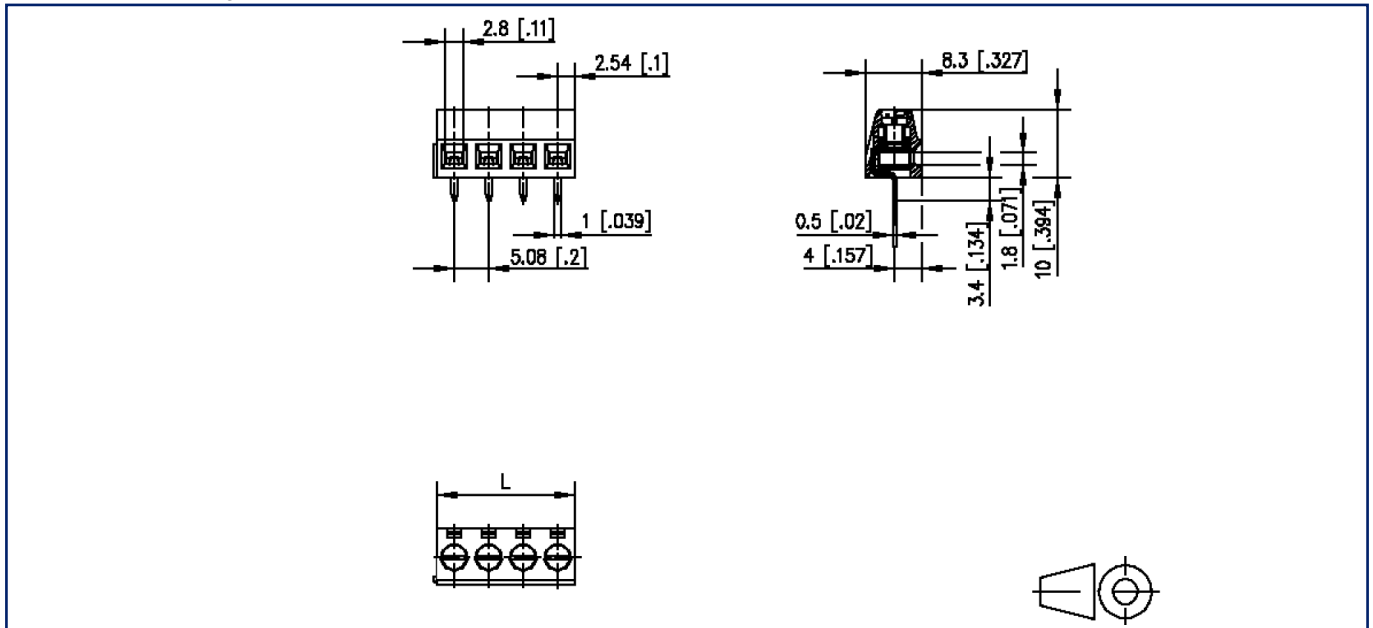
Data sheet  
**RT036xxHBLU Typ 095**

Page 4/5

P/N  
**310951xx**  
 xx=number of poles  
 2022/04/05  
 Version: Y

## Illustrations

Dimensional drawing



$L = (\text{pole size} - 1) \times \text{centerline} + 5.08 \text{ mm } [0.2]$

# U | Contact

Data sheet  
RT036xxHBLU Typ 095

Page 5/5

P/N  
310951xx  
xx=number of poles  
2022/04/05  
Version: Y

## Illustrations

Drill pattern

