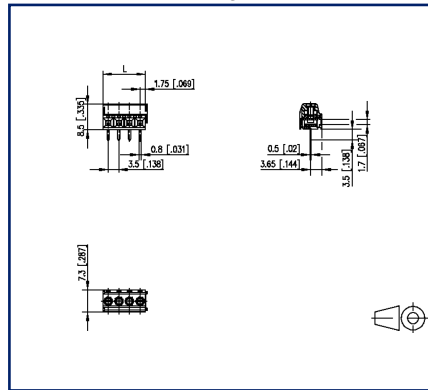


Data sheet
RT033xxHBLU Typ 359

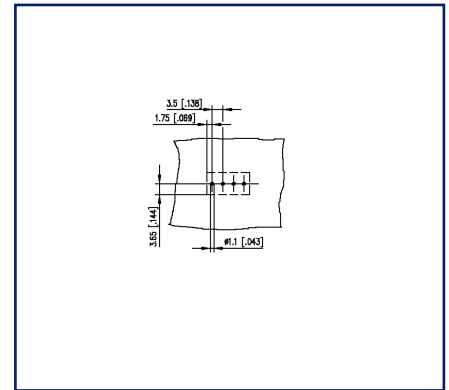
Illustrations



Dimensional drawing



Drill pattern



See enlarged drawings at the end of document

Product specification

- screw type terminal block, solderable
- centerline 3.50 mm, direction of connection 90°
- lift system, modular
- color black
- Tape & Reel packaging
- Max. recommended number of poles: 16

Technical Data



General Data

Tightening torque SEV	0.15 Nm		
Tightening torque UL	1.3 lb-in		
Solder pin length	3.5 mm		
min. number of poles	2		
max. number of poles	4		
Insulating material class	CTI 600		
clearance/creepage dist.	1.7 mm		
Protection category	IP00		
Min. insul. strip length	5 mm		
Rated current	12 A		
Overvoltage category	III	III	II
Pollution degree	3	2	2
Rated voltage	40 V	250 V	250 V
Rated test voltage	1.5 kV	1.5 kV	1.5 kV

Terminal data

rat.wiring solid AWGmax	0.2 mm ² - 1.5 mm ² / AWG 26 - AWG 16		
rat.wiring strand.AWGmax	0.2 mm ² - 1.5 mm ² / AWG 26 - AWG 16		

Approvals

 V / A / AWG	150 / 10 / 28 - 16		
approval UL - File No.	E121004		
 1 mm ²	130 V / 12 A / T60		

Material

insulating material	PA66
flammability class	V0
contact material	CuZnPb
Contact surface	Sn
terminal body thread	M2
terminal body material	CuZnPb
terminal body surface	Ni
screw thread	M2
screw material	8,8
screw surface	Zn Cr(VI)-frei/free

U | Contact

Data sheet RT033xxHBLU Typ 359

Page 3/5

P/N
313591xx

xx=number of poles

2022/04/05

Version: AA

Technical Data

Glow-Wire Flammability GWFI	960 °C acc. to IEC 60695-2-12
Glow-Wire Flammability GWIT	775 °C acc. to IEC 60695-2-13
REACH	compliant
REACH - substance (SVHC)	Lead / 7439-92-1

Climatic Data

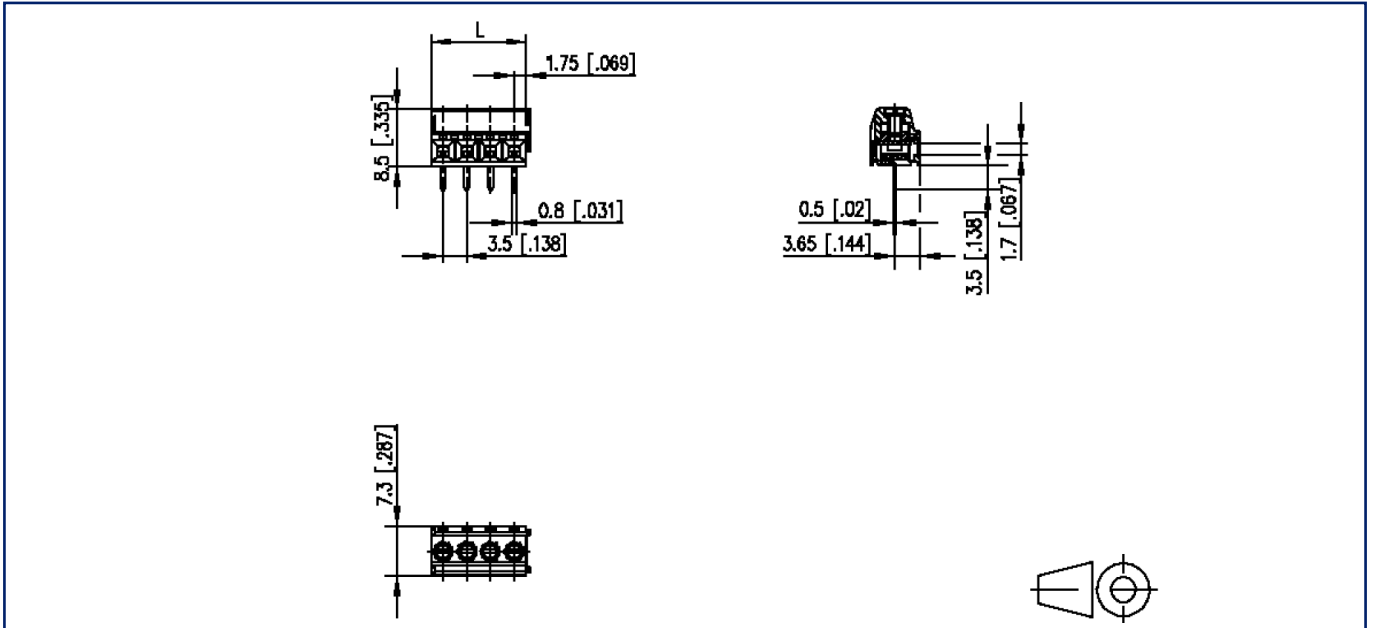
upper limit temperature	125 °C
lower limit temperature	-40 °C

general

Tolerance	ISO 2768 -mH
Solderability	Acc. to JEDEC JESD22-B102E 245°C/5s

Illustrations

Dimensional drawing



$L = (\text{pole size} - 1) \times \text{centerline} + 3.5 \text{ mm } [0.138]$



Illustrations

Drill pattern

