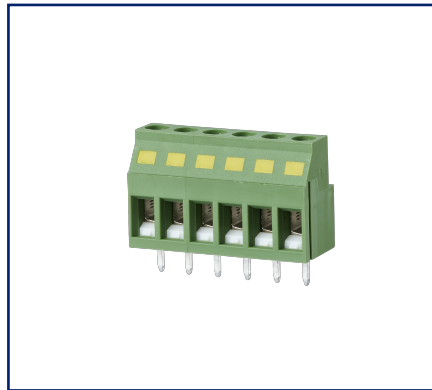
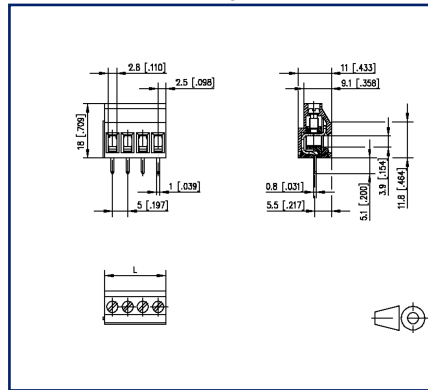


**Data sheet**  
**RT025xxOGLU Typ 065**

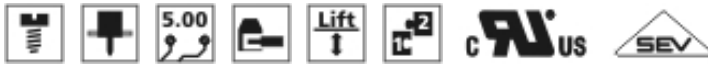
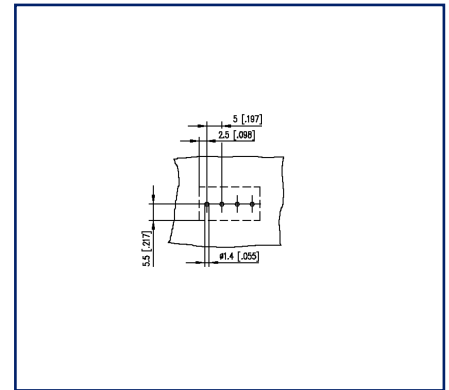
**Illustrations**



Dimensional drawing



Drill pattern





See enlarged drawings at the end of document

**Product specification**

- screw type terminal block, solderable
- centerline 5.00 mm, direction of connection 90°
- lift system, modular
- color green
- distribution terminal block, all poles with same potential, insulating proof

## Technical Data

General Data	
Tightening torque SEV	0.5 Nm
Tightening torque UL	4.4 lb-in
Solder pin length	5.1 mm
min. number of poles	2
max. number of poles	8
Insulating material class	CTI 600
Protection category	IP20
Min. insul. strip length	8 mm
Rated current	16 A
Terminal data	
rat.wiring solid AWGmax	0.34 mm <sup>2</sup> - 2.5 mm <sup>2</sup> / AWG 22 - AWG 12
rat.wiring strand.AWGmax	0.34 mm <sup>2</sup> - 2.5 mm <sup>2</sup> / AWG 22 - AWG 12
Approvals	
 V / A / AWG	300 / 20 / 22 - 12
approval UL - File No.	E121004
 2.5 mm <sup>2</sup>	250 V / 24 A / T60
Material	
insulating material	PA66
flammability class	V0
contact material	CuZnPb
Contact surface	Ni + Sn
terminal body thread	M3
terminal body material	CuZnPb
terminal body surface	Cu + Ni
screw thread	M3
screw material	8,8
screw surface	Zn Cr(VI)-frei/free
Glow-Wire Flammability GWFI	960 °C acc. to IEC 60695-2-12
Glow-Wire Flammability GWIT	775 °C acc. to IEC 60695-2-13
REACH	compliant
REACH - substance (SVHC)	Lead / 7439-92-1
Climatic Data	

# U | Contact

## Data sheet RT025xxOGLU Typ 065

Page 3/5

P/N  
310651xx

xx=number of poles

2022/04/05

Version: Y

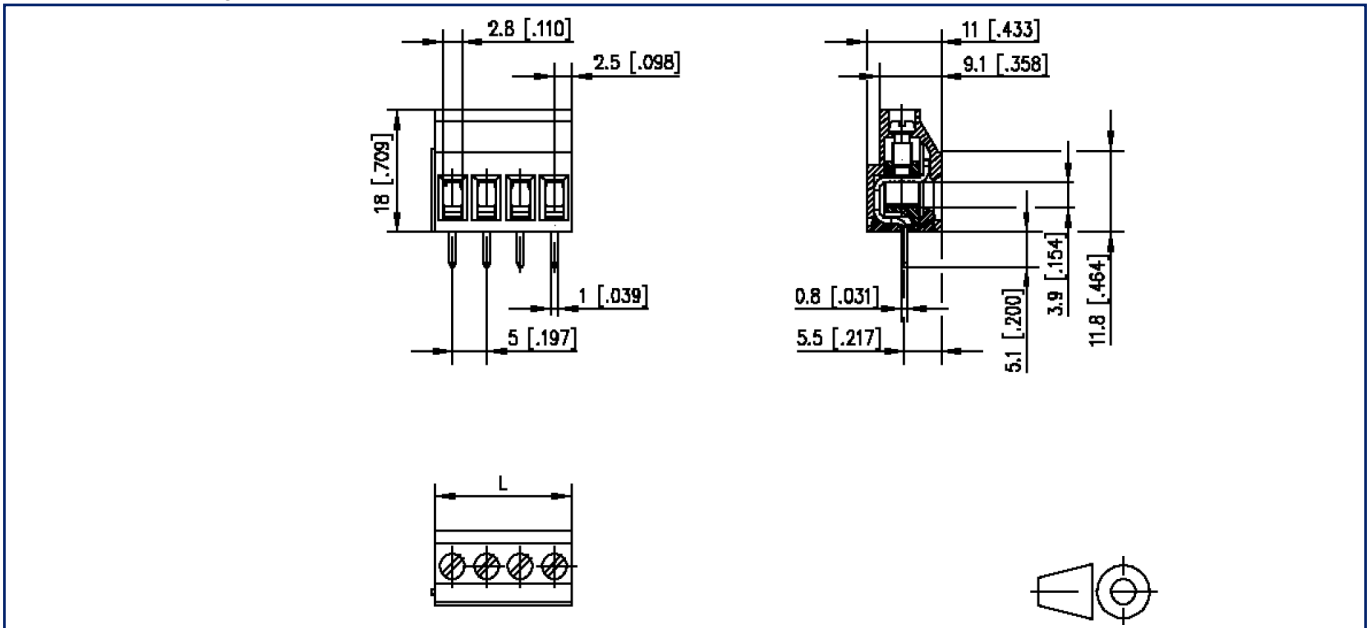
### Technical Data

upper limit temperature	105 °C
lower limit temperature	-40 °C
<b>general</b>	
Tolerance	ISO 2768 -mH
Solderability	Acc. to JEDEC JESD22-B102E 245°C/5s



**Illustrations**

Dimensional drawing



$L = (\text{pole size} - 1) \times \text{centerline} + 5 \text{ mm } [0.197]$

## Illustrations

### Drill pattern

