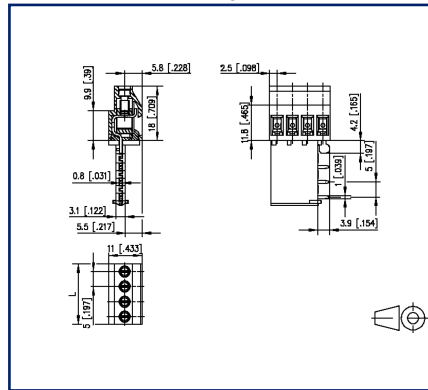


Data sheet
RT025xxHDLR Typ 386

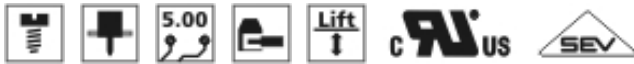
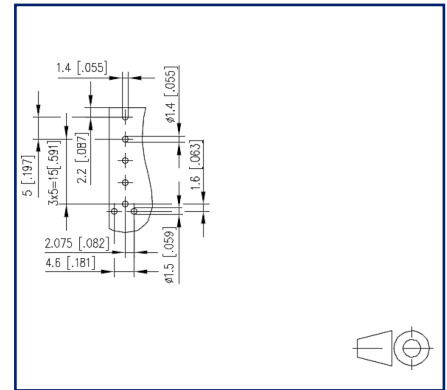
Illustrations



Dimensional drawing



Drill pattern





See enlarged drawings at the end of document

Product specification

- screw type terminal block, solderable
- centerline 5.00 mm, direction of connection 90°
- lift system
- color gray
- solder pins right-angled to the right

Technical Data

General Data			
Tightening torque SEV	0.5 Nm		
Tightening torque UL	4.4 lb-in		
Solder pin length	3.9 mm		
min. number of poles	2		
max. number of poles	4		
Insulating material class	CTI 600		
clearance/creepage dist.	4 mm		
Protection category	IP20		
Min. insul. strip length	8 mm		
Rated current	16 A		
Overvoltage category	III	III	II
Pollution degree	3	2	2
Rated voltage	200 V	500 V	500 V
Rated test voltage	2.5 kV	2.5 kV	2.5 kV
Terminal data			
rat.wiring solid AWGmax	0.34 mm ² - 2.5 mm ² / AWG 20 - AWG 12		
rat.wiring strand.AWGmax	0.34 mm ² - 2.5 mm ² / AWG 20 - AWG 12		
Approvals			
 V / A / AWG	300 / 20 / 20 - 12		
approval UL - File No.	E121004		
 2.5 mm ²	250 V / 24 A / T60		
Material			
insulating material	PA66		
flammability class	V0		
contact material	CuSn		
Contact surface	Sn		
terminal body thread	M3		
terminal body material	CuZnPb		
terminal body surface	Ni		
screw thread	M3		
screw material	8,8		
screw surface	Cu + Ni		

U | Contact

Data sheet RT025xxHDLR Typ 386

Page 3/5

P/N
313861xx

xx=number of poles

2022/04/05

Version: J

Technical Data

Glow-Wire Flammability GWFI	960 °C acc. to IEC 60695-2-12
Glow-Wire Flammability GWIT	775 °C acc. to IEC 60695-2-13
REACH	compliant
REACH - substance (SVHC)	Lead / 7439-92-1

Climatic Data

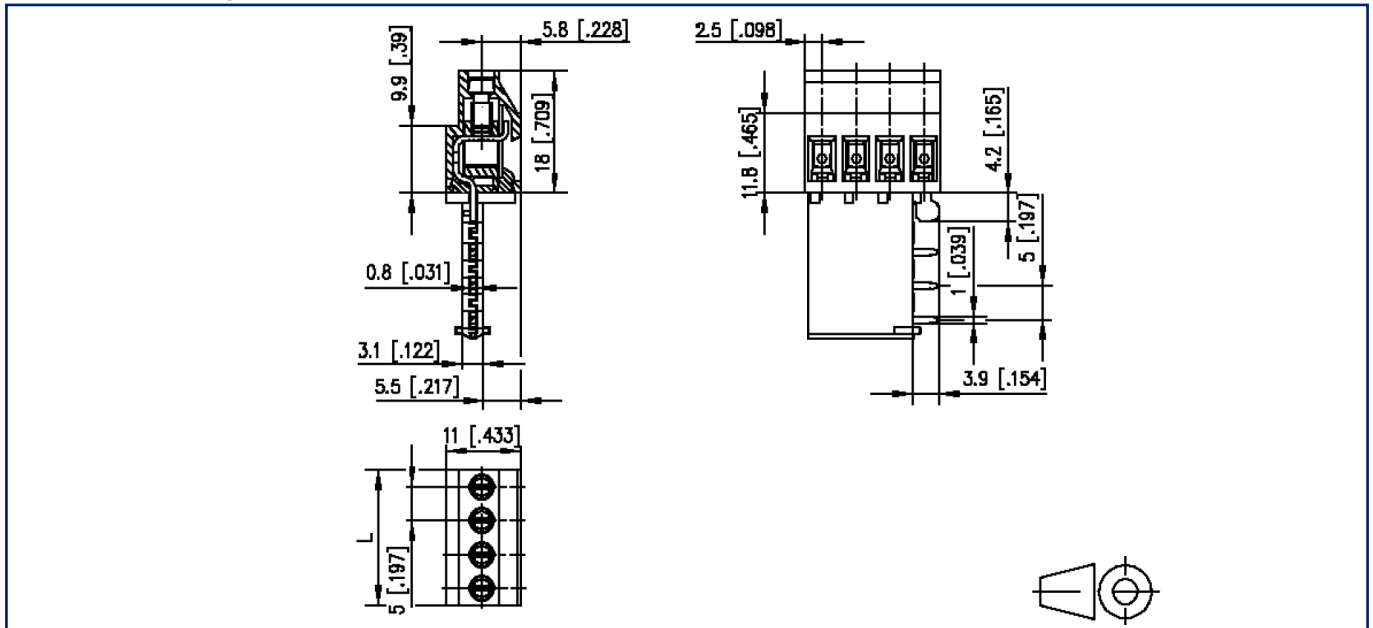
upper limit temperature	105 °C
lower limit temperature	-40 °C

general

Tolerance	ISO 2768 -mH
Solderability	Acc. to JEDEC JESD22-B102E 245°C/5s

Illustrations

Dimensional drawing



$L = (\text{pole size} - 1) \times \text{centerline} + 5 \text{ mm } [0.197]$



Illustrations

Drill pattern

