

Technical Data

General Data


Tightening torque SEV	0.4 Nm		
Tightening torque UL	3.5 lb-in		
Solder pin length	3.8 mm		
min. number of poles	2		
max. number of poles	11		
Insulating material class	CTI 600		
clearance/creepage dist.	7.6 mm		
Protection category	IP10		
Min. insul. strip length	6 mm		
Rated current	13 A		
Overvoltage category	III	III	II
Pollution degree	3	2	2
Rated voltage	63 V	320 V	320 V
Rated test voltage	2.5 kV	2.5 kV	2.5 kV


Terminal data

rat.wiring solid AWGmax	0.34 mm ² - 2 mm ² / AWG 22 - AWG 14		
rat.wiring strand.AWGmax	0.34 mm ² - 2 mm ² / AWG 22 - AWG 14		

Approvals

extended wiring UL	Wire range extended to No. 30 AWG for factory-wiring. Two same size wires No. 22-18 AWG Cu Sol/Str for field-wiring; No. 30-18 Cu Sol/Str factory-wiring.		
--------------------	---	--	--

 V / A / AWG	600 / 15 / 22 - 14		
approval UL - File No.	E121004		

 1.5 mm ²	750 V / 17.5 A / T60		
---	----------------------	--	--

Material

insulating material	PA66		
flammability class	V0		
terminal body thread	M3		
terminal body material	CuZnPb		
terminal body surface	Ni + Sn		
screw thread	M3		
screw material	8,8		
screw surface	Zn Cr(VI)-frei/free		

Data sheet
RT019xxHDWC Typ 001

Page 3/5

P/N
310012xx**xx=number of poles**

2022/04/05

Version: W

Technical Data

wire protector material	CuSn
wire protector surface	Sn
Glow-Wire Flammability GWFI	960 °C acc. to IEC 60695-2-12
Glow-Wire Flammability GWIT	775 °C acc. to IEC 60695-2-13
REACH	compliant
REACH - substance (SVHC)	Lead / 7439-92-1

Climatic Data

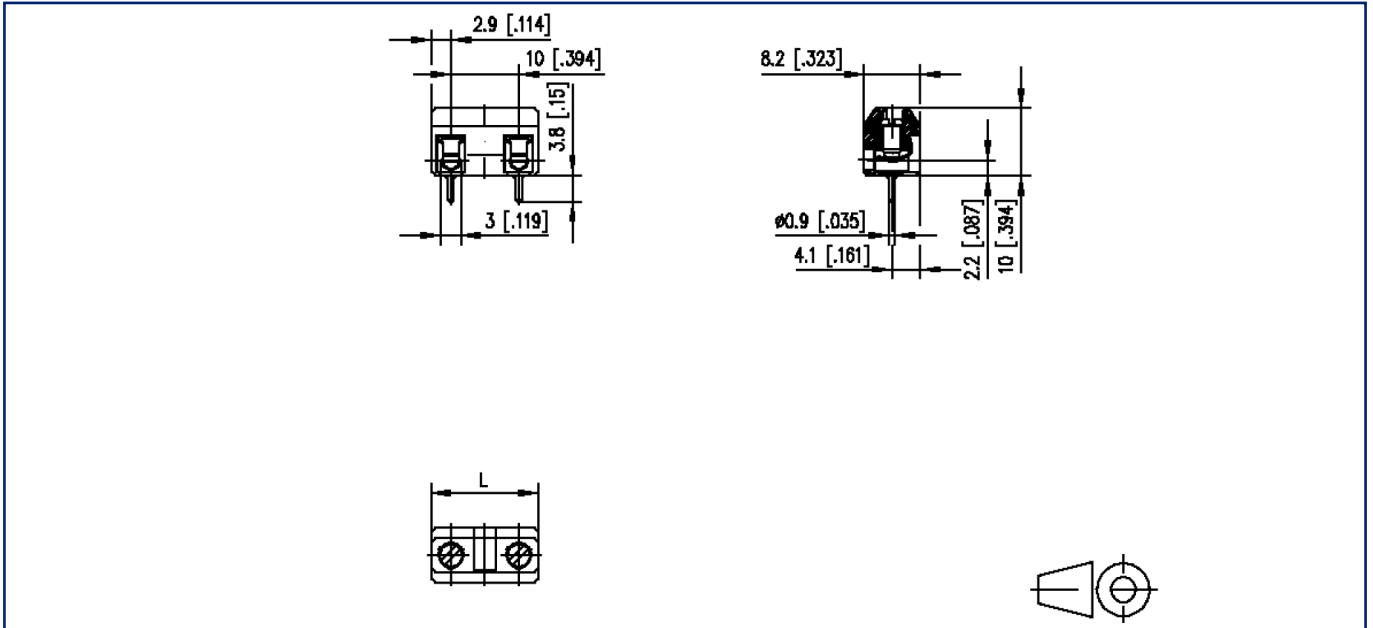
upper limit temperature	105 °C
lower limit temperature	-40 °C

general

Tolerance	ISO 2768 -mH
Solderability	Acc. to JEDEC JESD22-B102E 245°C/5s

Illustrations

Dimensional drawing



$L = (\text{pole size} - 1) \times \text{centerline} + 5 \text{ mm}$ [0.197]

© 2022 METZ CONNECT - Technische Änderungen vorbehalten! Subject to modifications! Sous réserve de modifications techniques!

Illustrations

Drill pattern

