

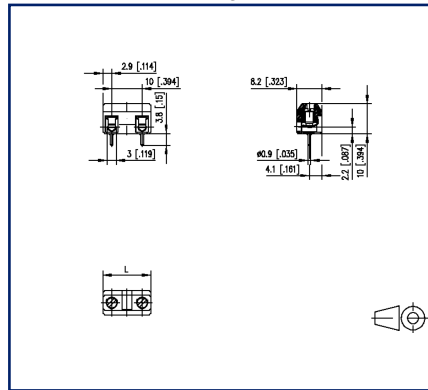
Data sheet

RT019xxHDVC Type 067

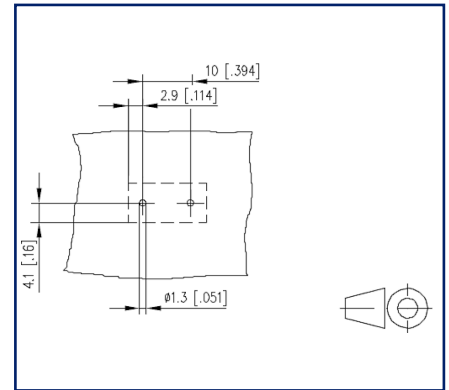
Illustrations



Dimensional drawing



Drill pattern



See enlarged drawings at the end of document

Product specification

- screw type terminal block, solderable
- centerline 10.00 mm, direction of connection 90°
- wire protector
- color gray

Technical Data



General Data

| | | | |
|---------------------------|-----------|--------|--------|
| Tightening torque SEV | 0.4 Nm | | |
| Tightening torque UL | 3.5 lb-in | | |
| Solder pin length | 3.8 mm | | |
| min. number of poles | 2 | | |
| max. number of poles | 2 | | |
| Insulating material class | CTI 600 | | |
| clearance/creepage dist. | 9.1 mm | | |
| Protection category | IP10 | | |
| Min. insul. strip length | 7 mm | | |
| Rated current | 10 A | | |
| Overvoltage category | III | III | II |
| Pollution degree | 3 | 2 | 2 |
| Rated voltage | 100 V | 320 V | 320 V |
| Rated test voltage | 2.5 kV | 2.5 kV | 2.5 kV |

Terminal data

| | | | |
|--------------------------|--|--|--|
| rat.wiring solid AWGmax | 0.34 mm ² - 2.5 mm ² / AWG 22 - AWG 14 | | |
| rat.wiring strand.AWGmax | 0.34 mm ² - 1.5 mm ² / AWG 22 - AWG 14 | | |

Approvals

| | | | |
|---|--------------------|--|--|
|  V / A / AWG | 300 / 15 / 22 - 14 | | |
| approval UL - File No. | E121004 | | |
|  1.5 mm ² | 750 V / 13 A / T60 | | |

Material

| | |
|-------------------------|---------------------|
| insulating material | PA66 |
| flammability class | V0 |
| terminal body thread | M3 |
| terminal body material | CuZnPb |
| terminal body surface | Ni + Sn |
| screw thread | M3 |
| screw material | 8,8 |
| screw surface | Zn Cr(VI)-frei/free |
| wire protector material | CuSn |
| wire protector surface | Sn |

U | Contact

Data sheet RT019xxHDVC Type 067

Page 3/5

P/N
310671xx

xx=number of poles

2022/04/05

Version: V

Technical Data

| | |
|-----------------------------|-------------------------------|
| Glow-Wire Flammability GWFI | 960 °C acc. to IEC 60695-2-12 |
| Glow-Wire Flammability GWIT | 775 °C acc. to IEC 60695-2-13 |
| REACH | compliant |
| REACH - substance (SVHC) | Lead / 7439-92-1 |

Climatic Data

| | |
|-------------------------|--------|
| upper limit temperature | 105 °C |
| lower limit temperature | -40 °C |

general

| | |
|---------------|-------------------------------------|
| Tolerance | ISO 2768 -mH |
| Solderability | Acc. to JEDEC JESD22-B102E 245°C/5s |

U | Contact

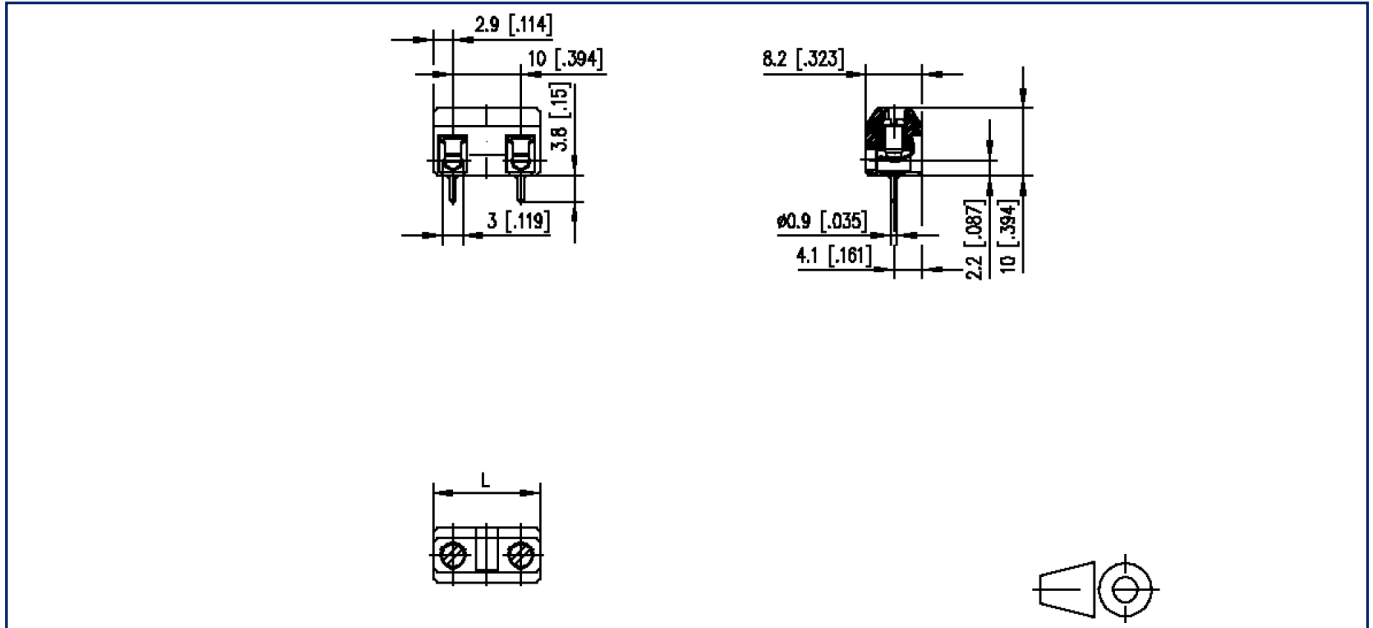
Data sheet
RT019xxHDVC Type 067

Page 4/5

P/N
310671xx
 xx=number of poles
 2022/04/05
 Version: V

Illustrations

Dimensional drawing



$L = (\text{pole size} - 1) \times \text{centerline} + 5.8 \text{ mm} [0.228]$

Illustrations

Drill pattern

