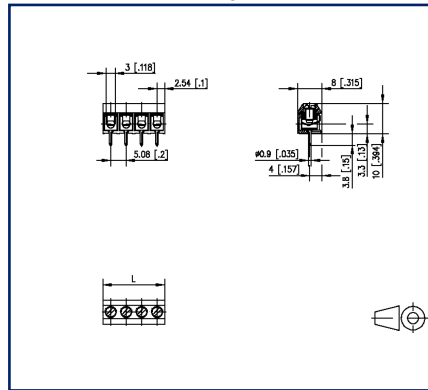


**Data sheet**  
**RT016xxHBWC Typ 101**

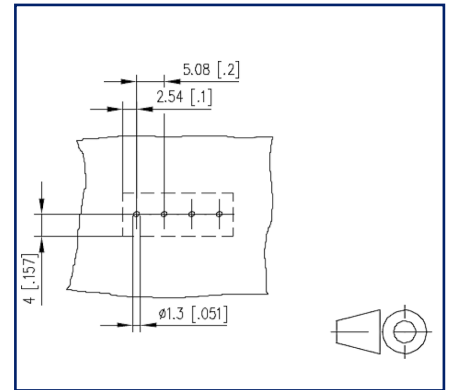
**Illustrations**



Dimensional drawing



Drill pattern



See enlarged drawings at the end of document

**Product specification**

- screw type terminal block, solderable
- centerline 5.08 mm, direction of connection 90°
- wire protector, fittable without loss of poles
- color black

## Technical Data



### General Data

Tightening torque SEV	0.4 Nm		
Tightening torque UL	3.5 lb-in		
Solder pin length	3.8 mm		
min. number of poles	2		
max. number of poles	22		
Insulating material class	CTI 600		
clearance/creepage dist.	2.7 mm		
Protection category	IP10		
Min. insul. strip length	6 mm		
Rated current	17.5 A		
Overvoltage category	III	III	II
Pollution degree	3	2	2
Rated voltage	63 V	320 V	320 V
Rated test voltage	2.5 kV	2.5 kV	2.5 kV

### Terminal data

rat.wiring solid AWGmax	0.34 mm <sup>2</sup> - 1.5 mm <sup>2</sup> / AWG 28 - AWG 14		
rat.wiring strand.AWGmax	0.34 mm <sup>2</sup> - 1.5 mm <sup>2</sup> / AWG 28 - AWG 14		

### Approvals

 V / A / AWG	300 / 15 / 28 - 14		
approval UL - File No.	E121004		
 1.5 mm <sup>2</sup>	130 V / 17.5 A / T60		

### Material

insulating material	PA66
flammability class	V0
terminal body thread	M3
terminal body material	CuZnPb
terminal body surface	Ni + Sn
screw thread	M3
screw material	8,8
screw surface	Zn Cr(VI)-frei/free
wire protector material	CuSn
wire protector surface	Sn

# U | Contact

## Data sheet RT016xxHBWC Typ 101

Page 3/5

P/N  
311011xx

xx=number of poles

2022/04/05

Version: Z

### Technical Data

Glow-Wire Flammability GWFI	960 °C acc. to IEC 60695-2-12
Glow-Wire Flammability GWIT	775 °C acc. to IEC 60695-2-13
REACH	compliant
REACH - substance (SVHC)	Lead / 7439-92-1

### Climatic Data

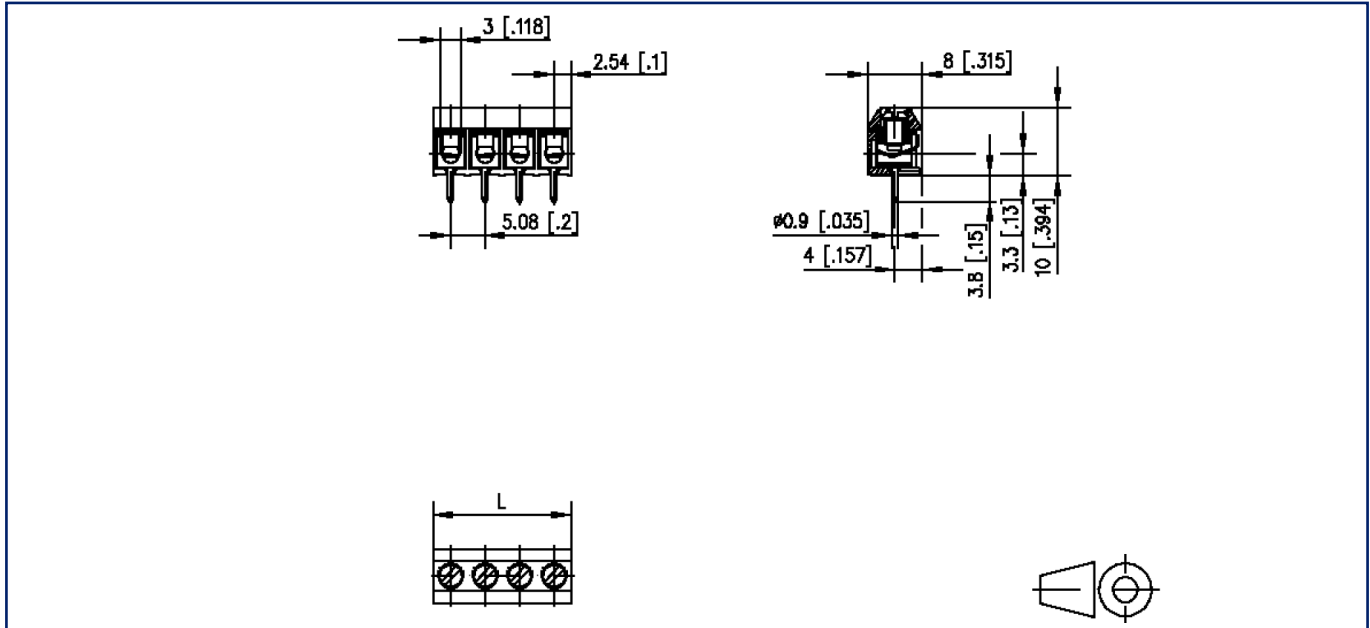
upper limit temperature	105 °C
lower limit temperature	-40 °C

### general

Tolerance	ISO 2768 -mH
Solderability	Acc. to JEDEC JESD22-B102E 245°C/5s

**Illustrations**

Dimensional drawing



$L = (\text{pole size} - 1) \times \text{centerline} + 5.08 \text{ mm} [0.2]$



**Illustrations**

Drill pattern

