

## Data sheet

RP085xxVBLC Typ 348

Page 1/6

P/N  
313481xx

xx=number of poles

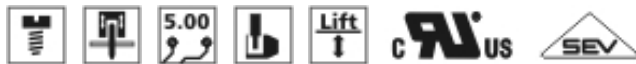
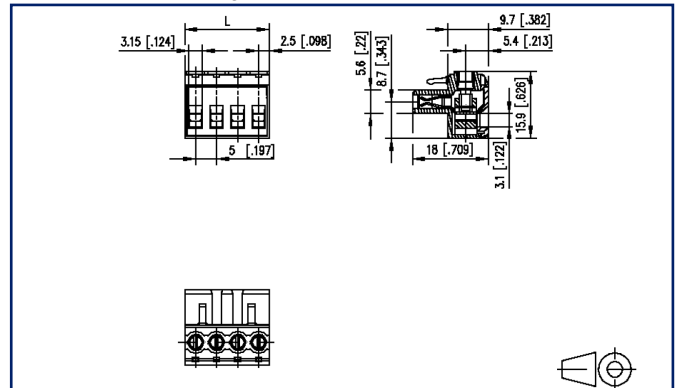
2022/04/05

Version: W

### Illustrations



Dimensional drawing



See enlarged drawings at the end of document

### Product specification

- screw type terminal block, pluggable
- centerline 5.00 mm, direction of connection vertical 0°
- lift system, fittable without loss of poles
- color black

## Technical Data



### General Data

Tightening torque SEV	0.6 Nm		
Tightening torque UL	5.3 lb-in		
min. number of poles	2		
max. number of poles	12		
Insulating material class	CTI 600		
clearance/creepage dist.	5.7 mm		
Protection category	IP20		
Min. insul. strip length	8 mm		
Rated current	12 A		
Overvoltage category	III	III	II
Pollution degree	3	2	2
Rated voltage	400 V	1000 V	1000 V
Rated test voltage	6 kV	6 kV	6 kV

### Terminal data

rat.wiring solid AWGmax	0.2 mm <sup>2</sup> - 2.5 mm <sup>2</sup> / AWG 24 - AWG 12		
rat.wiring strand.AWGmax	0.2 mm <sup>2</sup> - 2.5 mm <sup>2</sup> / AWG 24 - AWG 12		

### Approvals

 V / A / AWG	300 / 17 / 24 - 12		
approval UL - File No.	E121004		
 2.5 mm <sup>2</sup>	250 V / 4 kV / 12 A		

### Material

insulating material	PA66
flammability class	V0
contact material	CuSn
Contact surface	Sn
terminal body thread	M3
terminal body material	CuZnPb
terminal body surface	Ni
screw thread	M3
screw material	8,8
screw surface	Zn Cr(VI)-frei/free
Glow-Wire Flammability GWFI	960 °C acc. to IEC 60695-2-12

# U | Contact

## Data sheet RP085xxVBLC Typ 348

Page 3/6

P/N  
313481xx

xx=number of poles

2022/04/05

Version: W

### Technical Data

Glow-Wire Flammability GWIT	775 °C acc. to IEC 60695-2-13
Ball pressure test	125 °C acc. to IEC 60695-10-2
REACH	compliant
REACH - substance (SVHC)	Lead / 7439-92-1

### Climatic Data

upper limit temperature	105 °C
lower limit temperature	-40 °C

### general

Tolerance	ISO 2768 -mH
-----------	--------------



# U | Contact

Data sheet  
RP085xxVBLC Typ 348

Page 4/6

P/N  
313481xx

xx=number of poles

2022/04/05

Version: W

## Accessories

P/N	Designation
700025-01-5	Kodierstern blau mit 6 Kodierstiften F_Kodier_blp
700025-01-9	Coding star white with a group of 6 coding pins
700025-02-2	F_Kodier_swg
700213-01-9	F_Kodier_weiß

# U | Contact

Data sheet  
RP085xxVBLC Typ 348

Page 5/6

P/N  
313481xx

xx=number of poles

2022/04/05

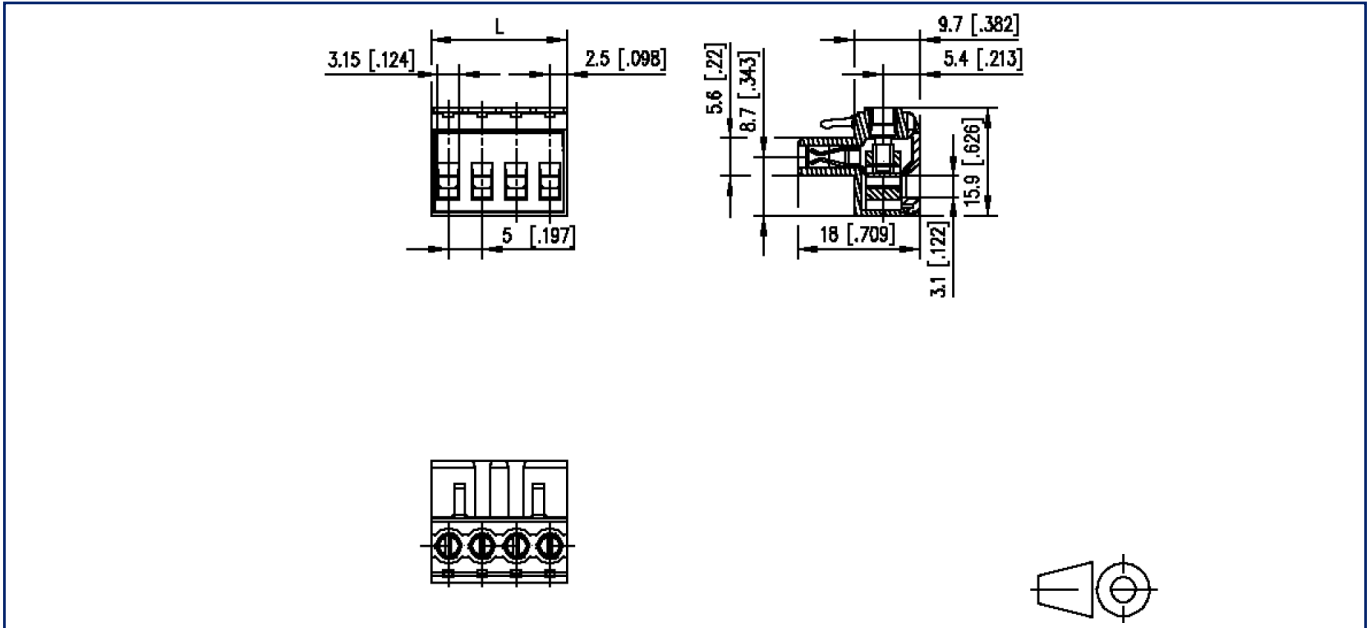
Version: W

## Counterpart

P/N	Designation
310201	PT045xxVBBN Typ 020
310301	PT045xxHBBN Typ 030
310311	PT045xxHBVC Typ 031
310321	PT045xxHBVN Typ 032
313371	PR075xxHBEL Typ 337
313381	PR075xxHBER Typ 338

## Illustrations

Dimensional drawing



$L = (\text{pole size} - 1) \times \text{centerline} + 5 \text{ mm } [0.197]$