

# Data sheet

RP03AxxHBL5 Typ 218

Page 1/6

P/N  
312182xx

xx=number of poles

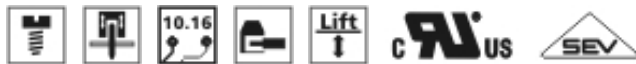
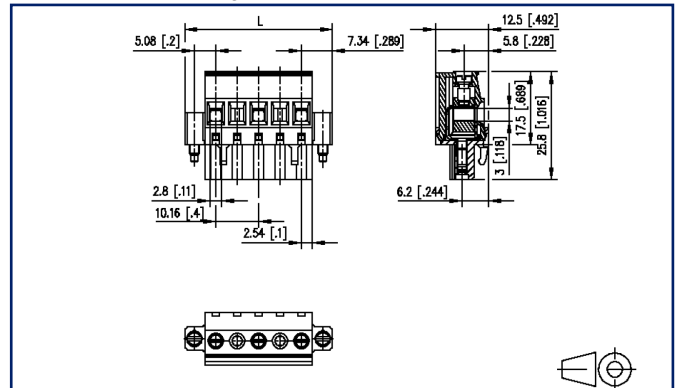
2022/04/05

Version: U

## Illustrations



Dimensional drawing



See enlarged drawings at the end of document

## Product specification

- screw type terminal block, pluggable
- centerline 10.16 mm, direction of connection 90°
- lift system
- color black, mounting flange



**Technical Data**

**General Data**

Tightening torque SEV	0.5 Nm		
Tightening torque UL	4.4 lb-in		
min. number of poles	2		
max. number of poles	6		
Insulating material class	CTI 600		
clearance/creepage dist.	8.28 mm		
Protection category	IP20		
Min. insul. strip length	8 mm		
Rated current	12 A		
Overvoltage category	III	III	II
Pollution degree	3	2	2
Rated voltage	500 V	1000 V	1000 V
Rated test voltage	6 kV	6 kV	6 kV

**Terminal data**


rat.wiring solid AWGmax	0.08 mm <sup>2</sup> - 4 mm <sup>2</sup> / AWG 28 - AWG 12		
rat.wiring strand.AWGmax	0.08 mm <sup>2</sup> - 2.5 mm <sup>2</sup> / AWG 28 - AWG 12		

**Approvals**

extended wiring UL	2 AWG 16-18, or 1 AWG 16 stranded with 1 AWG 18 solid, or 1 AWG 16 stranded with 1 AWG 18 stranded		
--------------------	----------------------------------------------------------------------------------------------------	--	--

 V / A / AWG	600 / 16 / 28 - 12		
-------------------------------------------------------------------------------------------------	--------------------	--	--

approval UL - File No.	E121004		
------------------------	---------	--	--

 2.5 mm <sup>2</sup>	630 V / 4 kV / 13.5 A		
---------------------------------------------------------------------------------------------------------	-----------------------	--	--

**Material**

insulating material	PA66		
flammability class	V0		
contact material	CuSn		
Contact surface	Sn		
terminal body thread	M3		
terminal body material	CuZnPb		
terminal body surface	Ni		
screw thread	M3		
screw material	8,8		
screw surface	Zn Cr(VI)-frei/free		

# U | Contact

Data sheet

**RP03AxxHBL5 Typ 218**

Page 3/6

P/N

**312182xx****xx=number of poles**

2022/04/05

Version: U

## Technical Data

Glow-Wire Flammability GWFI	960 °C acc. to IEC 60695-2-12
Glow-Wire Flammability GWIT	775 °C acc. to IEC 60695-2-13
REACH	compliant
REACH - substance (SVHC)	Lead / 7439-92-1

## Climatic Data

upper limit temperature	105 °C
lower limit temperature	-40 °C

## general

Tolerance	ISO 2768 -mH
-----------	--------------

# U | Contact

Data sheet  
RP03AxxHBL5 Typ 218

Page 4/6

P/N  
312182xx

xx=number of poles

2022/04/05

Version: U

## Accessories

P/N	Designation
700025-01-9	Coding star white with a group of 6 coding pins

© 2022 METZ CONNECT - Technische Änderungen vorbehalten! Subject to modifications! Sous réserve de modifications techniques!



# U | Contact

Data sheet  
**RP03AxxHBL5 Typ 218**

Page 5/6

P/N  
**312182xx**

**xx=number of poles**

2022/04/05

Version: U

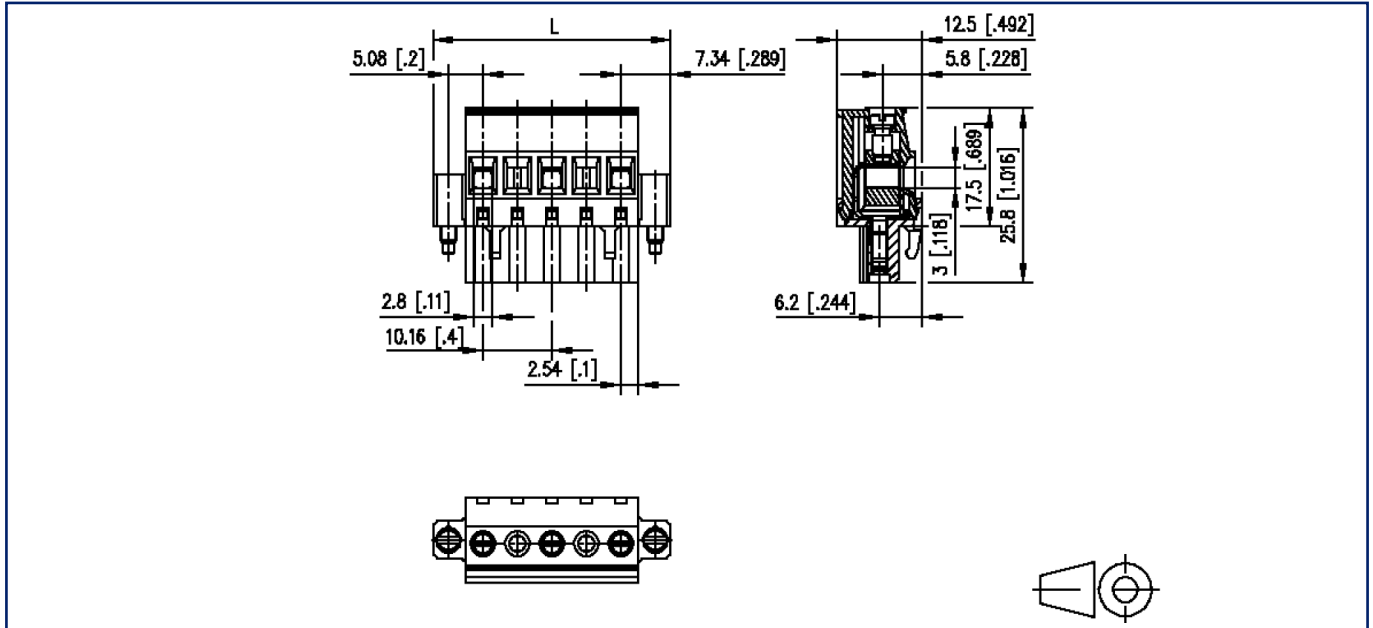
## Counterpart

P/N	Designation
312352	PT11AxxVBBF Typ 235
312362	PT11AxxHBBF Typ 236



### Illustrations

Dimensional drawing



$$L = (\text{pole size} - 1) \times \text{centerline} + 14.68 \text{ mm} [0.578]$$

© 2022 METZ CONNECT - Technische Änderungen vorbehalten! Subject to modifications! Sous réserve de modifications techniques!

