

Data sheet

RP03AxxHBLF Typ 217

Page 1/6

P/N
312172xx

xx=number of poles

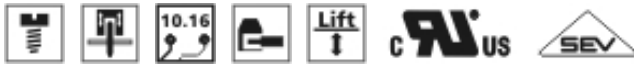
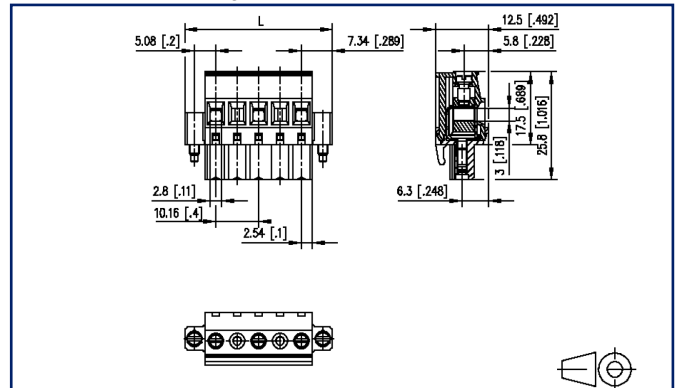
2022/04/05

Version: U

Illustrations



Dimensional drawing



See enlarged drawings at the end of document

Product specification

- screw type terminal block, pluggable
- centerline 10.16 mm, direction of connection 90°
- lift system
- color black, mounting flange




Technical Data

General Data			
Tightening torque SEV	0.5 Nm		
Tightening torque UL	4.4 lb-in		
min. number of poles	2		
max. number of poles	6		
Insulating material class	CTI 600		
clearance/creepage dist.	8.28 mm		
Protection category	IP20		
Min. insul. strip length	8 mm		
Rated current	12 A		
Overvoltage category	III	III	II
Pollution degree	3	2	2
Rated voltage	500 V	1000 V	1000 V
Rated test voltage	6 kV	6 kV	6 kV

Terminal data	
rat.wiring solid AWGmax	0.08 mm ² - 4 mm ² / AWG 28 - AWG 12
rat.wiring strand.AWGmax	0.08 mm ² - 2.5 mm ² / AWG 28 - AWG 12

Approvals	
extended wiring UL	2 AWG 16-18, or 1 AWG 16 stranded with 1 AWG 18 solid, or 1 AWG 16 stranded with 1 AWG 18 stranded

 V / A / AWG	600 / 16 / 28 - 12
---	--------------------

approval UL - File No.	E121004
------------------------	---------

 2.5 mm ²	630 V / 4 kV / 13.5 A
---	-----------------------

Material	
insulating material	PA66
flammability class	V0
contact material	CuSn
Contact surface	Sn
terminal body thread	M3
terminal body material	CuZnPb
terminal body surface	Ni
screw thread	M3
screw material	8,8
screw surface	Zn Cr(VI)-frei/free

U | Contact

Data sheet RP03AxxHBLF Typ 217

Page 3/6

P/N
312172xx

xx=number of poles

2022/04/05

Version: U

Technical Data

Glow-Wire Flammability GWFI	960 °C acc. to IEC 60695-2-12
Glow-Wire Flammability GWIT	775 °C acc. to IEC 60695-2-13
REACH	compliant
REACH - substance (SVHC)	Lead / 7439-92-1

Climatic Data

upper limit temperature	105 °C
lower limit temperature	-40 °C

general

Tolerance	ISO 2768 -mH
-----------	--------------



U | Contact

Data sheet
RP03AxxHBLF Typ 217

Page 4/6

P/N
312172xx

xx=number of poles

2022/04/05

Version: U

Accessories

P/N	Designation
700025-01-9	Coding star white with a group of 6 coding pins

© 2022 METZ CONNECT - Technische Änderungen vorbehalten! Subject to modifications! Sous réserve de modifications techniques!



U | Contact

Data sheet
RP03AxxHBLF Typ 217

Page 5/6

P/N
312172xx

xx=number of poles

2022/04/05

Version: U

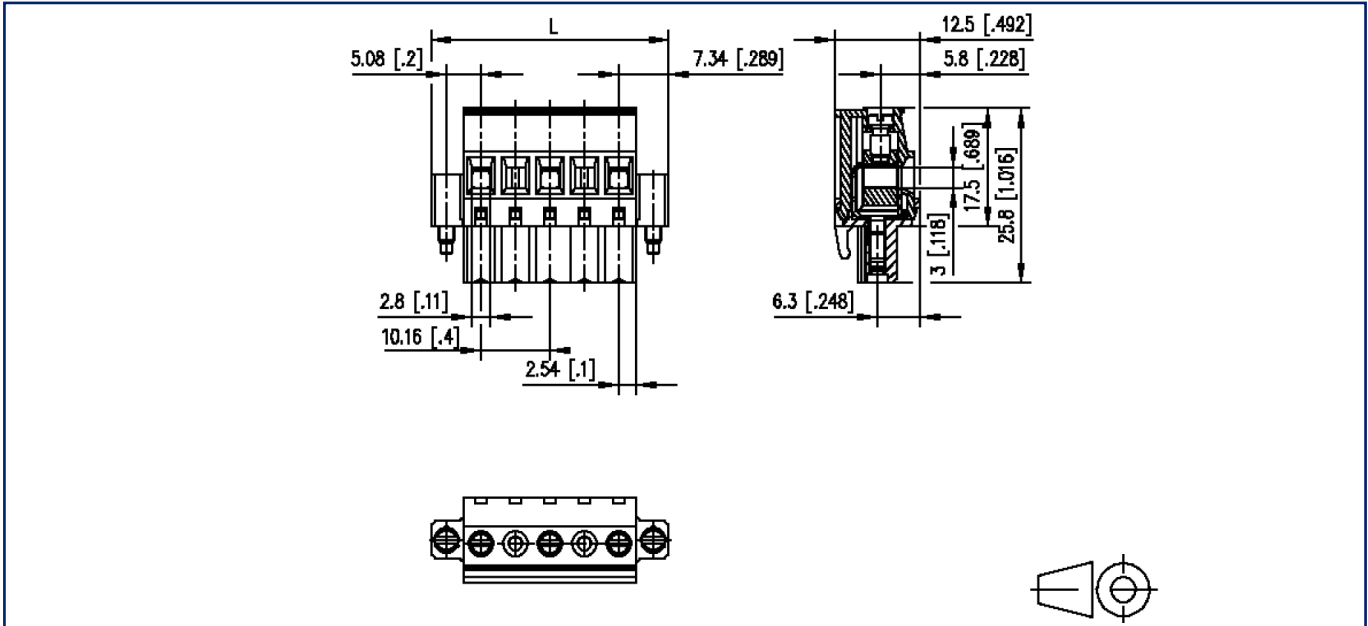
Counterpart

P/N	Designation
312352	PT11AxxVBBF Typ 235
312362	PT11AxxHBBF Typ 236



Illustrations

Dimensional drawing



$L = (\text{pole size} - 1) \times \text{centerline} + 14.68 \text{ mm} [0.578]$

© 2022 METZ CONNECT - Technische Änderungen vorbehalten! Subject to modifications! Sous réserve de modifications techniques!

