

Data sheet

RP03AxxHBLD Typ 214

Page 1/6

P/N

312142xx

xx=number of poles

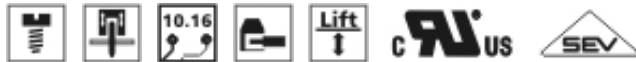
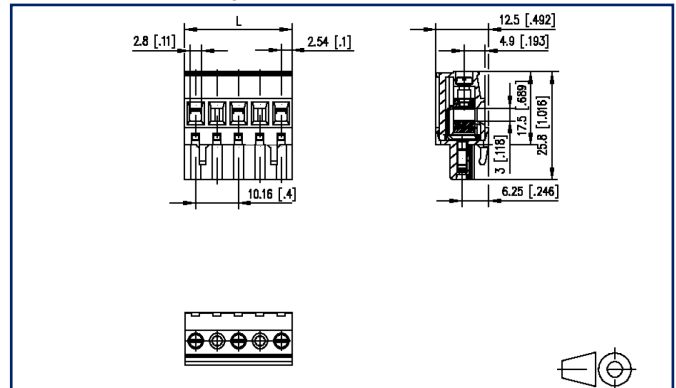
2022/04/05

Version: U

Illustrations



Dimensional drawing



See enlarged drawings at the end of document

Product specification

- screw type terminal block, pluggable
- centerline 10.16 mm, direction of connection 90°
- lift system, fittable without loss of poles
- color black



Technical Data

General Data


Tightening torque SEV	0.5 Nm		
Tightening torque UL	4.4 lb-in		
min. number of poles	2		
max. number of poles	12		
Insulating material class	CTI 600		
clearance/creepage dist.	8.28 mm		
Protection category	IP20		
Min. insul. strip length	8 mm		
Rated current	12 A		
Overvoltage category	III	III	II
Pollution degree	3	2	2
Rated voltage	160 V	400 V	400 V
Rated test voltage	2.5 kV	2.5 kV	2.5 kV

Terminal data


rat.wiring solid AWGmax	0.08 mm ² - 4 mm ² / AWG 28 - AWG 12		
rat.wiring strand.AWGmax	0.08 mm ² - 2.5 mm ² / AWG 28 - AWG 12		

Approvals

extended wiring UL	2 AWG 16-18, or 1 AWG 16 stranded with 1 AWG 18 solid, or 1 AWG 16 stranded with 1 AWG 18 stranded		
--------------------	--	--	--

 V / A / AWG	600 / 16 / 28 - 12		
---	--------------------	--	--

approval UL - File No.	E121004		
------------------------	---------	--	--

 2.5 mm ²	630 V / 6 kV / 13.5 A		
---	-----------------------	--	--

Material

insulating material	PA66		
flammability class	V0		
contact material	CuSn		
Contact surface	Sn		
terminal body thread	M3		
terminal body material	CuZnPb		
terminal body surface	Ni		
screw thread	M3		
screw material	8,8		
screw surface	Zn Cr(VI)-frei/free		

U | Contact

Data sheet RP03AxxHBLD Typ 214

Page 3/6

P/N
312142xx

xx=number of poles

2022/04/05

Version: U

Technical Data

Glow-Wire Flammability GWFI	960 °C acc. to IEC 60695-2-12
Glow-Wire Flammability GWIT	775 °C acc. to IEC 60695-2-13
REACH	compliant
REACH - substance (SVHC)	Lead / 7439-92-1

Climatic Data

upper limit temperature	105 °C
lower limit temperature	-40 °C

general

Tolerance	ISO 2768 -mH
-----------	--------------



U | Contact

Data sheet
RP03AxxHBLD Typ 214

Page 4/6

P/N
312142xx

xx=number of poles

2022/04/05

Version: U

Accessories

P/N	Designation
700025-01-9	Coding star white with a group of 6 coding pins



U | Contact

Data sheet RP03AxxHBLD Typ 214

Page 5/6

P/N
312142xx

xx=number of poles

2022/04/05

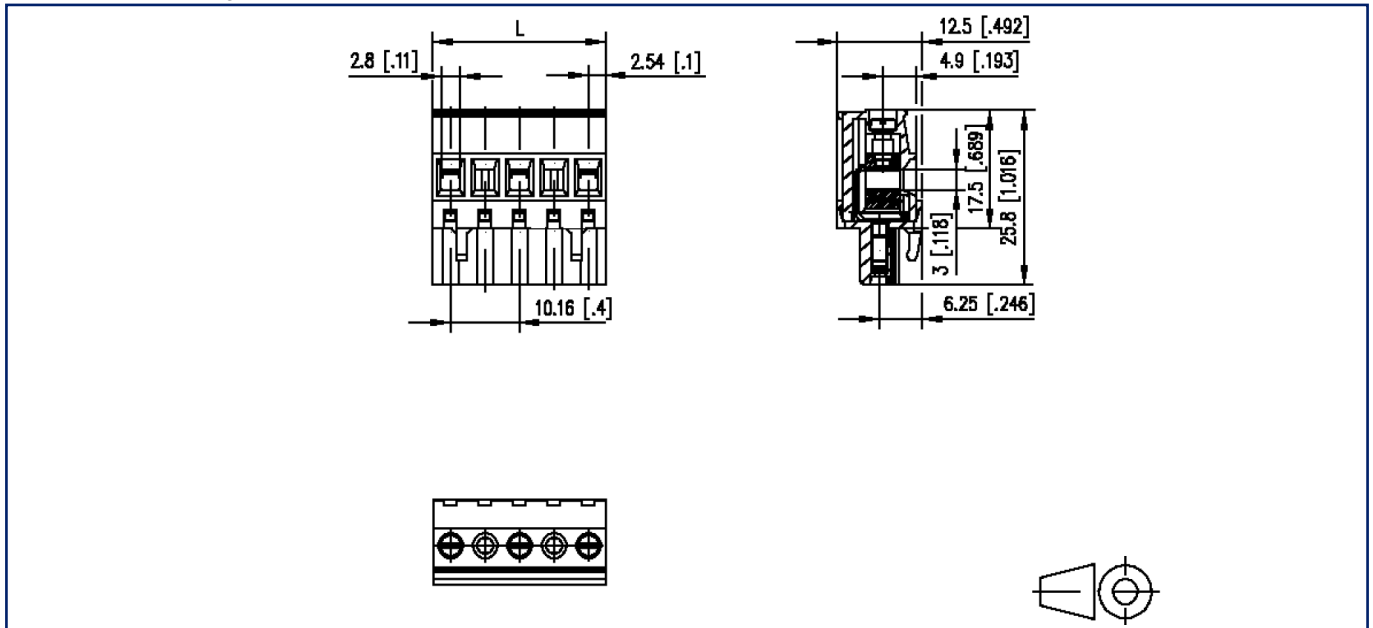
Version: U

Counterpart

P/N	Designation
311782	PR06AxxHBBN Typ 178
311792	PR06AxxVBBN Typ 179
312192	PT11AxxVBEC Typ 219
312202	PT11AxxVBBN Typ 220
312292	PT11AxxHBEC Typ 229
312302	PT11AxxHBBN Typ 230

Illustrations

Dimensional drawing



$L = (\text{pole size} - 1) \times \text{centerline} + 5.08 \text{ mm} [0.2]$

© 2022 METZ CONNECT - Technische Änderungen vorbehalten! Subject to modifications! Sous réserve de modifications techniques!