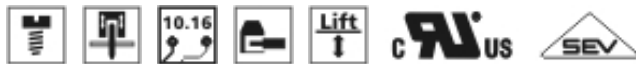
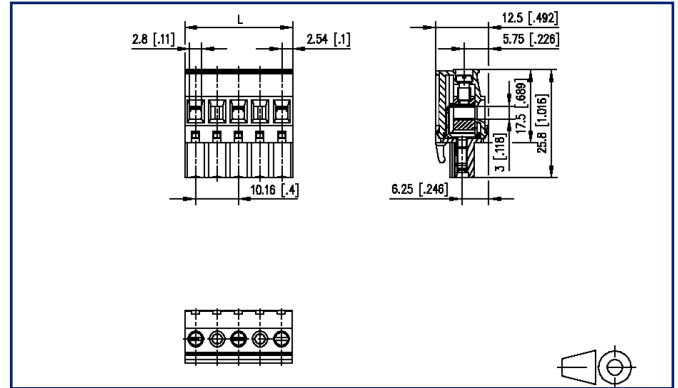


Data sheet
RP03AxxHBLC Typ 213

Illustrations



Dimensional drawing



See enlarged drawings at the end of document

Product specification

- screw type terminal block, pluggable
- centerline 10.16 mm, direction of connection 90°
- lift system, fittable without loss of poles
- color black

Technical Data

General Data


| | | | |
|---------------------------|-----------|--------|--------|
| Tightening torque SEV | 0.5 Nm | | |
| Tightening torque UL | 4.4 lb-in | | |
| min. number of poles | 2 | | |
| max. number of poles | 12 | | |
| Insulating material class | CTI 600 | | |
| clearance/creepage dist. | 8.28 mm | | |
| Protection category | IP20 | | |
| Min. insul. strip length | 8 mm | | |
| Rated current | 12 A | | |
| Overvoltage category | III | III | II |
| Pollution degree | 3 | 2 | 2 |
| Rated voltage | 160 V | 400 V | 400 V |
| Rated test voltage | 2.5 kV | 2.5 kV | 2.5 kV |

Terminal data

| | | | |
|--------------------------|--|--|--|
| rat.wiring solid AWGmax | 0.08 mm ² - 4 mm ² / AWG 28 - AWG 12 | | |
| rat.wiring strand.AWGmax | 0.08 mm ² - 2.5 mm ² / AWG 28 - AWG 12 | | |

Approvals

| | | | |
|--------------------|--|--|--|
| extended wiring UL | 2 AWG 16-18, or 1 AWG 16 stranded with 1 AWG 18 solid, or 1 AWG 16 stranded with 1 AWG 18 stranded | | |
|--------------------|--|--|--|

| | | | |
|---|--------------------|--|--|
|  V / A / AWG | 600 / 16 / 28 - 12 | | |
|---|--------------------|--|--|

| | | | |
|------------------------|---------|--|--|
| approval UL - File No. | E121004 | | |
|------------------------|---------|--|--|

| | | | |
|---|-----------------------|--|--|
|  2.5 mm ² | 630 V / 6 kV / 13.5 A | | |
|---|-----------------------|--|--|

Material

| | | | |
|------------------------|---------------------|--|--|
| insulating material | PA66 | | |
| flammability class | V0 | | |
| contact material | CuSn | | |
| Contact surface | Sn | | |
| terminal body thread | M3 | | |
| terminal body material | CuZnPb | | |
| terminal body surface | Ni | | |
| screw thread | M3 | | |
| screw material | 8,8 | | |
| screw surface | Zn Cr(VI)-frei/free | | |

U | Contact

Data sheet RP03AxxHBLC Typ 213

Page 3/6

P/N
312132xx

xx=number of poles

2022/04/05

Version: J

Technical Data

| | |
|-----------------------------|-------------------------------|
| Glow-Wire Flammability GWFI | 960 °C acc. to IEC 60695-2-12 |
| Glow-Wire Flammability GWIT | 775 °C acc. to IEC 60695-2-13 |
| REACH | compliant |
| REACH - substance (SVHC) | Lead / 7439-92-1 |

Climatic Data

| | |
|-------------------------|--------|
| upper limit temperature | 105 °C |
| lower limit temperature | -40 °C |

general

| | |
|-----------|--------------|
| Tolerance | ISO 2768 -mH |
|-----------|--------------|

U | Contact

Data sheet
RP03AxxHBLC Typ 213

Page 4/6

P/N
312132xx

xx=number of poles

2022/04/05

Version: J

Accessories

| P/N | Designation |
|-------------|---|
| 700025-01-9 | Coding star white with a group of 6 coding pins |



U | Contact

Data sheet RP03AxxHBLC Typ 213

Page 5/6

P/N
312132xx

xx=number of poles

2022/04/05

Version: J

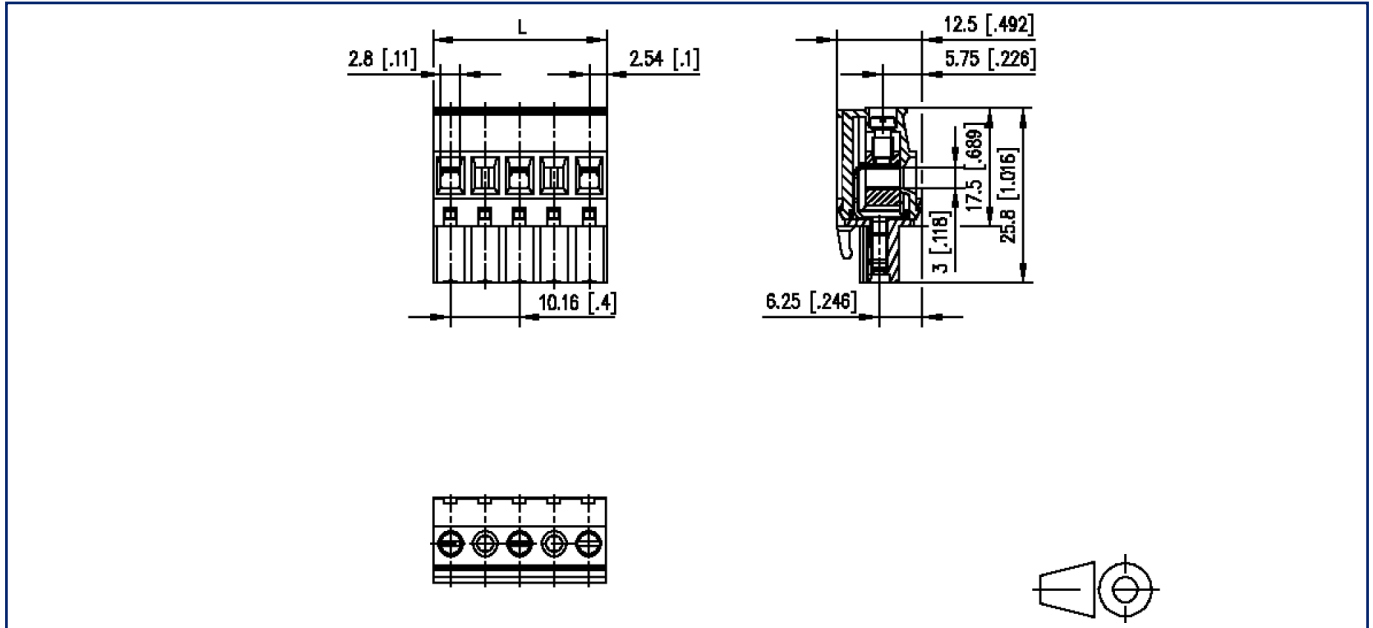
Counterpart

| P/N | Designation |
|--------|---------------------|
| 311782 | PR06AxxHBBN Typ 178 |
| 311792 | PR06AxxVBBN Typ 179 |
| 312192 | PT11AxxVBEC Typ 219 |
| 312202 | PT11AxxVBBN Typ 220 |
| 312292 | PT11AxxHBEC Typ 229 |
| 312302 | PT11AxxHBBN Typ 230 |



Illustrations

Dimensional drawing



$L = (\text{pole size} - 1) \times \text{centerline} + 5.08 \text{ mm} [0.2]$

