

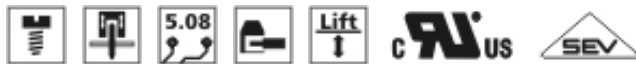
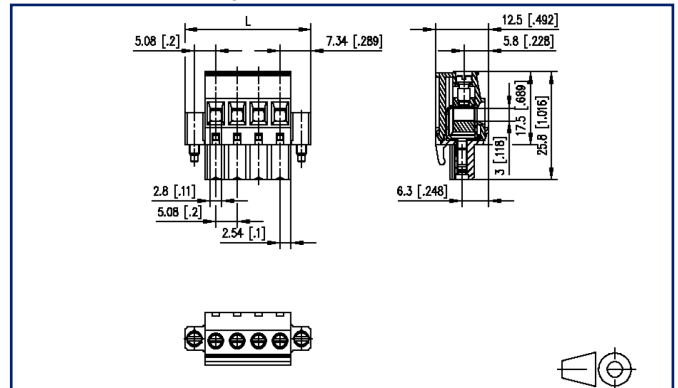
Data sheet

RP036xxHBLF Typ 217

Illustrations



Dimensional drawing



See enlarged drawings at the end of document

Product specification


- screw type terminal block, pluggable
- centerline 5.08 mm, direction of connection 90°
- lift system
- color black, mounting flange
- wire entry uncodeable side perpendicular to plug direction

Technical Data

General Data			
Tightening torque SEV	0.5 Nm		
Tightening torque UL	4.4 lb-in		
min. number of poles	2		
max. number of poles	12		
Insulating material class	CTI 600		
clearance/creepage dist.	3.2 mm		
Protection category	IP20		
Min. insul. strip length	8 mm		
Rated current	12 A		
Overvoltage category	III	III	II
Pollution degree	3	2	2
Rated voltage	160 V	400 V	400 V
Rated test voltage	2.5 kV	2.5 kV	2.5 kV

Terminal data	
rat.wiring solid AWGmax	0.08 mm ² - 4 mm ² / AWG 28 - AWG 12
rat.wiring strand.AWGmax	0.08 mm ² - 2.5 mm ² / AWG 28 - AWG 12

Approvals	
extended wiring UL	2 AWG 16-18, or 1 AWG 16 stranded with 1 AWG 18 solid, or 1 AWG 16 stranded with 1 AWG 18 stranded

 V / A / AWG	300 / 16 / 28 - 12
---	--------------------

approval UL - File No.	E121004
------------------------	---------

 2.5 mm ²	320 V / 4 kV / 13.5 A
---	-----------------------

Material	
insulating material	PA66
flammability class	V0
contact material	CuSn
Contact surface	Sn
terminal body thread	M3
terminal body material	CuZnPb
terminal body surface	Ni
screw thread	M3
screw material	8,8
screw surface	Zn Cr(VI)-frei/free

U | Contact

Data sheet RP036xxHBLF Typ 217

Page 3/6

P/N
312171xx

xx=number of poles

2022/04/05

Version: U

Technical Data

Glow-Wire Flammability GWFI	960 °C acc. to IEC 60695-2-12
Glow-Wire Flammability GWIT	775 °C acc. to IEC 60695-2-13
REACH	compliant
REACH - substance (SVHC)	Lead / 7439-92-1

Climatic Data

upper limit temperature	105 °C
lower limit temperature	-40 °C

general

Tolerance	ISO 2768 -mH
-----------	--------------



U | Contact

Data sheet
RP036xxHBLF Typ 217

Page 4/6

P/N
312171xx

xx=number of poles

2022/04/05

Version: U

Accessories

P/N	Designation
700025-01-9	Coding star white with a group of 6 coding pins



U | Contact

Data sheet
RP036xxHBLF Typ 217

Page 5/6

P/N
312171xx

xx=number of poles

2022/04/05

Version: U

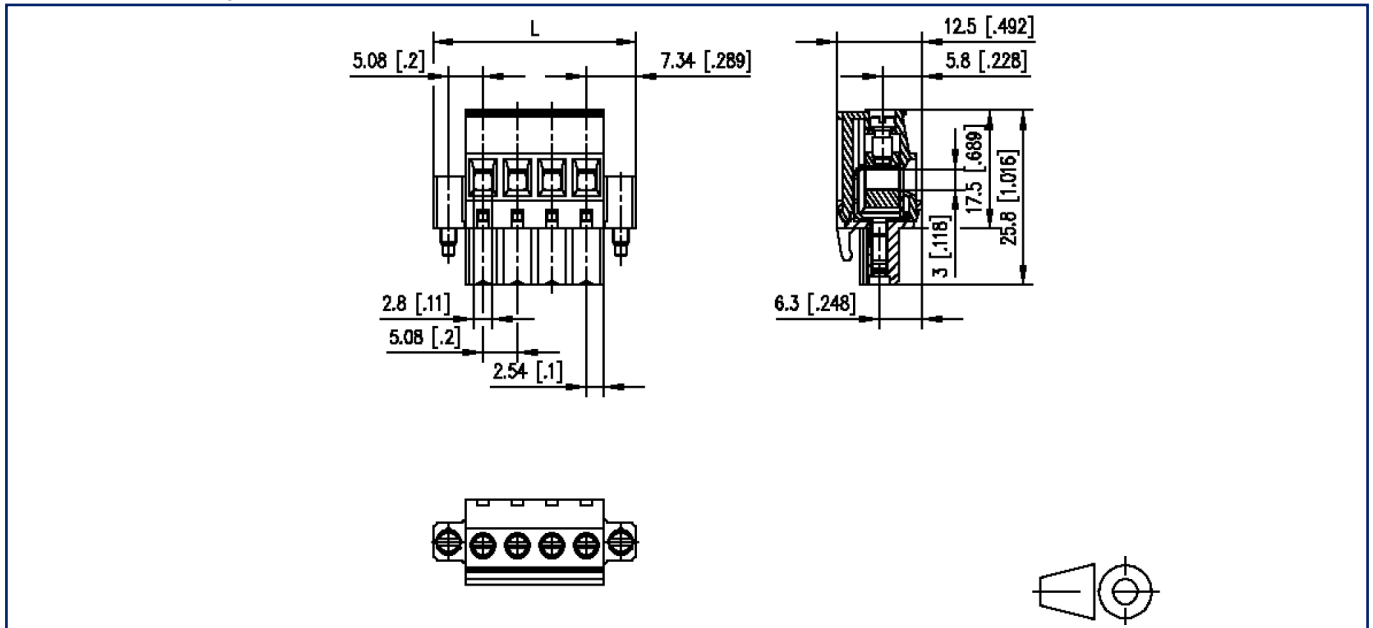
Counterpart

P/N	Designation
312351	PT116xxVBBF Typ 235
312361	PT116xxHBBF Typ 236



Illustrations

Dimensional drawing



$L = (\text{pole size} - 1) \times \text{centerline} + 14.68 \text{ mm} [0.578]$