

## Data sheet

RP026xxIBWU Typ 079

Page 1/6

P/N  
310791xx

xx=number of poles

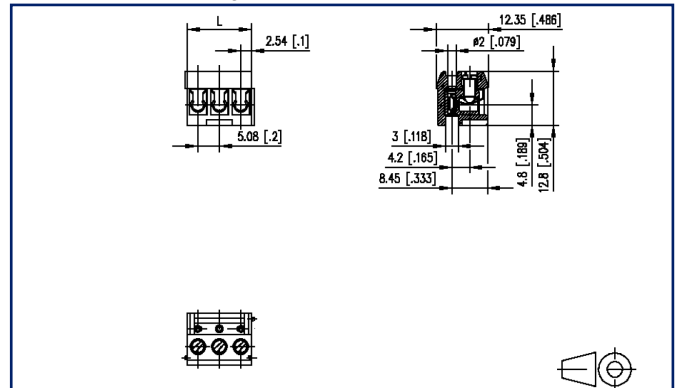
2022/04/05

Version: Q

### Illustrations



Dimensional drawing





See enlarged drawings at the end of document

### Product specification

- screw type terminal block, pluggable
- centerline 5.08 mm, direction of connection 90°
- wire protector, modular
- color black
- wire entry perpendicular to plug direction, lamella



## Technical Data

General Data			
Tightening torque SEV	0.5 Nm		
Tightening torque UL	4.4 lb-in		
min. number of poles	2		
max. number of poles	3		
Insulating material class	CTI 600		
clearance/creepage dist.	2.3 mm		
Protection category	IP00		
Min. insul. strip length	6 mm		
Rated current	10 A		
Overvoltage category	III	III	II
Pollution degree	3	2	2
Rated voltage	100 V	320 V	320 V
Rated test voltage	2.5 kV	2.5 kV	2.5 kV
Terminal data			
rat.wiring solid AWGmax	0.33 mm <sup>2</sup> - 2 mm <sup>2</sup> / AWG 22 - AWG 14		
rat.wiring strand.AWGmax	0.33 mm <sup>2</sup> - 2 mm <sup>2</sup> / AWG 22 - AWG 14		
Approvals			
extended wiring UL	Wire range extended to No. 30 AWG for factory-wiring. Two same size wires No. 22-16 AWG Cu, Sol/Str for field-wiring; No. 30-16 AWG Cu Sol/Str factory-wiring.		
 V / A / AWG	300 / 15 / 22 - 14		
approval UL - File No.	E121004		
 0.33 - 2.5 mm <sup>2</sup>	10 A / 125 V / 2.5 kV / 3 /		
Material			
insulating material	PA66		
flammability class	V0		
contact material	CuBe		
Contact surface	Ni + Ag		
terminal body thread	M3		
terminal body material	CuZnPb		
terminal body surface	Ni		
screw thread	M3		
screw material	8,8		

# U | Contact

## Data sheet RP026xxIBWU Typ 079

Page 3/6

P/N  
310791xx

xx=number of poles

2022/04/05

Version: Q

### Technical Data

screw surface	Zn Cr(VI)-frei/free
wire protector material	CuSn
wire protector surface	Sn
Glow-Wire Flammability GWFI	960 °C acc. to IEC 60695-2-12
Glow-Wire Flammability GWIT	775 °C acc. to IEC 60695-2-13
REACH	compliant
REACH - substance (SVHC)	Lead / 7439-92-1

### Climatic Data

upper limit temperature	105 °C
lower limit temperature	-40 °C

### general

Tolerance	ISO 2768 -mH
-----------	--------------

© 2022 METZ CONNECT - Technische Änderungen vorbehalten! Subject to modifications! Sous réserve de modifications techniques!



# U | Contact

Data sheet  
RP026xxIBWU Typ 079

Page 4/6

P/N  
310791xx

xx=number of poles

2022/04/05

Version: Q

## Accessories

P/N	Designation
710121-2	Coding pin short for type 007
710122-2	Coding pin long for type 007
716846	Coding comb pastel blue
750150	Mounting flange right for type 77, 79
750151	Mounting flange left for type 77, 79



# U | Contact

Data sheet  
RP026xxIBWU Typ 079

Page 5/6

P/N  
310791xx

xx=number of poles

2022/04/05

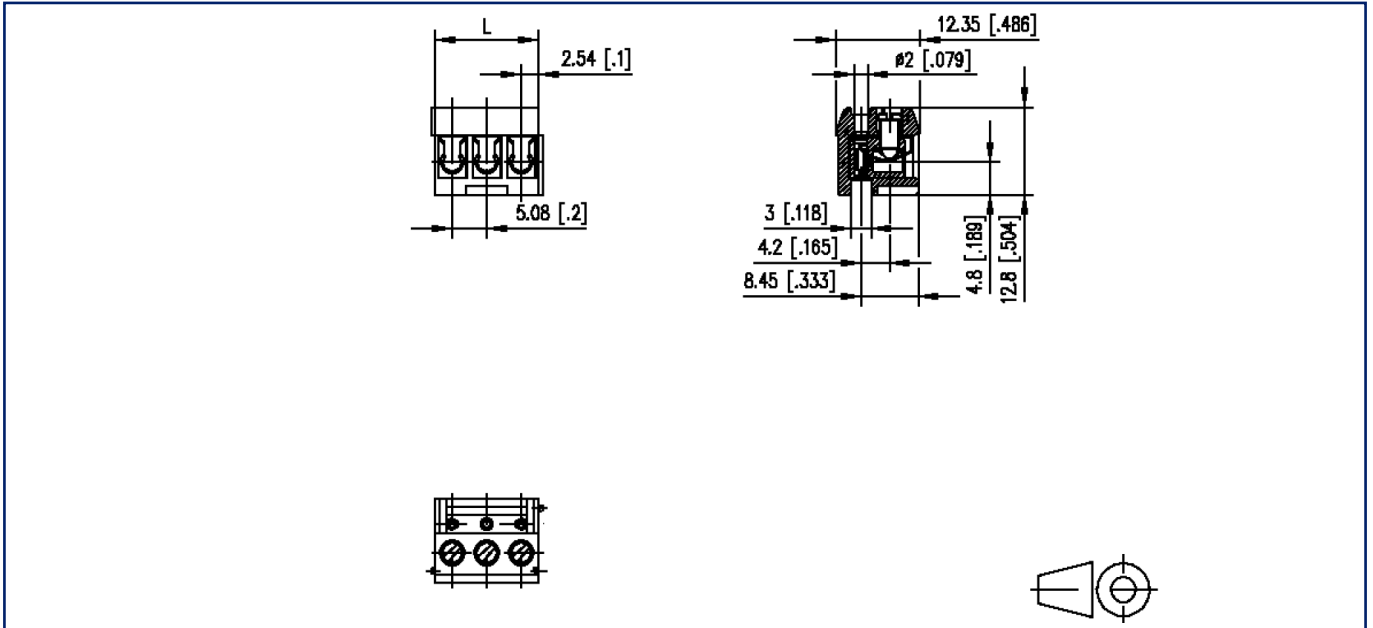
Version: Q

## Counterpart

P/N	Designation
310181	PR016xxVBHC Typ 018
310281	PR016xxVBVC Typ 028
PM016XXVBHC	PM016xxVBHC

## Illustrations

Dimensional drawing



$L = (\text{pole size} - 1) \times \text{centerline} + 5.08 \text{ mm [0.2]}$

