

## Data sheet RP025xxIBLC Typ 137

Page 1/6

P/N  
311371xx

xx=number of poles

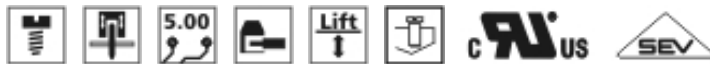
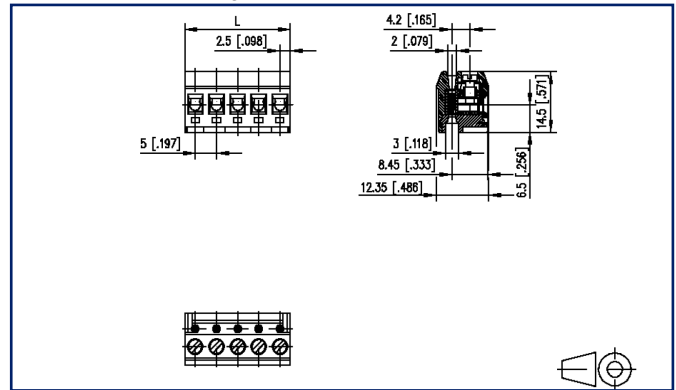
2022/04/05

Version: T

### Illustrations



Dimensional drawing



See enlarged drawings at the end of document



### Product specification

- screw type terminal block, pluggable
- centerline 5.00 mm, direction of connection 90°
- lift system, fittable without loss of poles
- color black
- wire entry perpendicular to plug direction, lamella

**Technical Data**

General Data			
Tightening torque SEV	0.5 Nm		
Tightening torque UL	4.4 lb-in		
min. number of poles	2		
max. number of poles	24		
Insulating material class	CTI 600		
clearance/creepage dist.	3.2 mm		
Protection category	IP20		
Min. insul. strip length	8 mm		
Rated current	10 A		
Overvoltage category	III	III	II
Pollution degree	3	2	2
Rated voltage	250 V	630 V	630 V
Rated test voltage	4 kV	4 kV	4 kV

Terminal data	
rat.wiring solid AWGmax	0.13 mm <sup>2</sup> - 2.5 mm <sup>2</sup> / AWG 26 - AWG 12
rat.wiring strand.AWGmax	0.13 mm <sup>2</sup> - 2.5 mm <sup>2</sup> / AWG 26 - AWG 12

Approvals	
 V / A / AWG	300 / 15 / 26 - 12
approval UL - File No.	E121004
 2.5 mm <sup>2</sup>	250 V / 2.5 kV / 10 A

Material	
insulating material	PA66
flammability class	V0
contact material	CuBe
Contact surface	Ni + Ag
terminal body thread	M3
terminal body material	CuZnPb
terminal body surface	Cu + Ni
screw thread	M3
screw material	8,8
screw surface	Zn Cr(VI)-frei/free
wire protector material	CuNiZn

# U | Contact

## Data sheet RP025xxIBLC Typ 137

Page 3/6

P/N  
311371xx

xx=number of poles

2022/04/05

Version: T

### Technical Data

Glow-Wire Flammability GWFI	960 °C acc. to IEC 60695-2-12
Glow-Wire Flammability GWIT	775 °C acc. to IEC 60695-2-13
REACH	compliant
REACH - substance (SVHC)	Lead / 7439-92-1

### Climatic Data

upper limit temperature	105 °C
lower limit temperature	-40 °C

### general

Tolerance	ISO 2768 -mH
-----------	--------------



# U | Contact

Data sheet  
RP025xxIBLC Typ 137

Page 4/6

P/N  
311371xx

xx=number of poles

2022/04/05

Version: T

## Accessories

P/N	Designation
716846	Coding comb pastel blue
720161-01-2	720161
720161-02-2	720161
750313	Mounting flange right for type 137
750314	Mounting flange left for type 137

# U | Contact

Data sheet  
RP025xxIBLC Typ 137

Page 5/6

P/N  
311371xx

xx=number of poles

2022/04/05

Version: T

## Counterpart

P/N	Designation
310271	PR015xxVBVC Typ 027



# U | Contact

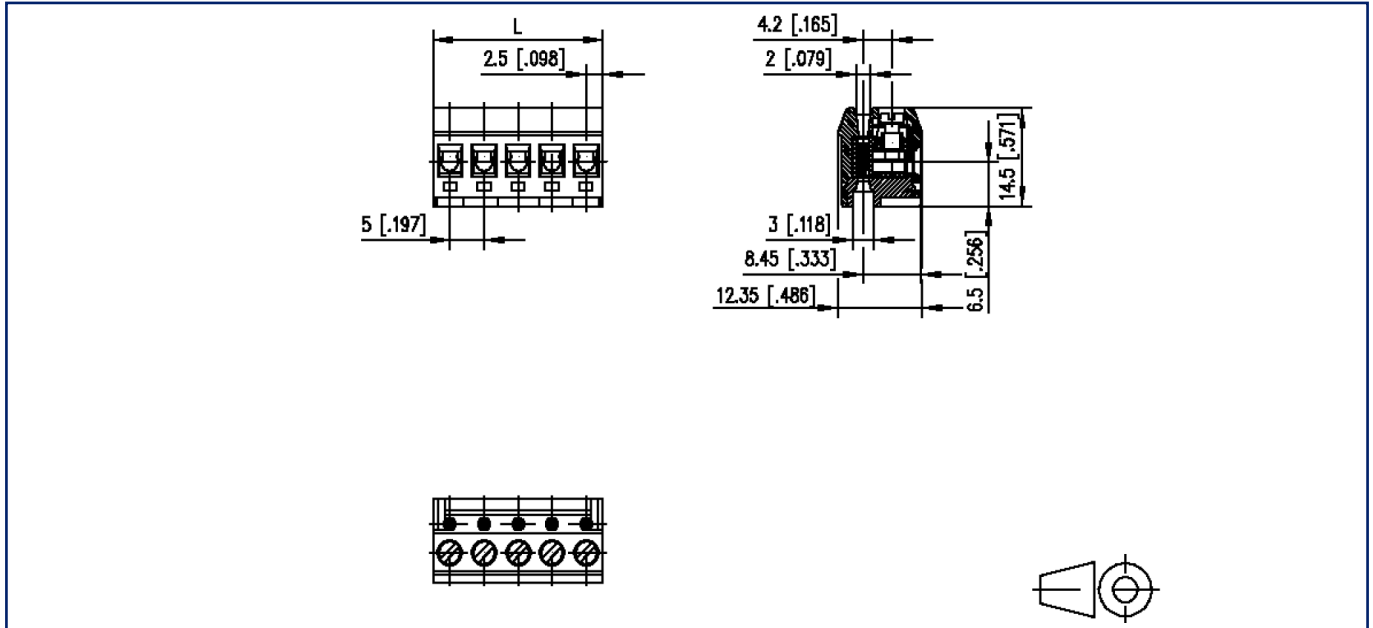
Data sheet  
**RP025xxIBLC Typ 137**

Page 6/6

P/N  
**311371xx**  
**xx=number of poles**  
 2022/04/05  
 Version: T

## Illustrations

Dimensional drawing



$L = (\text{pole size} - 1) \times \text{centerline} + 5 \text{ mm [0.197]}$