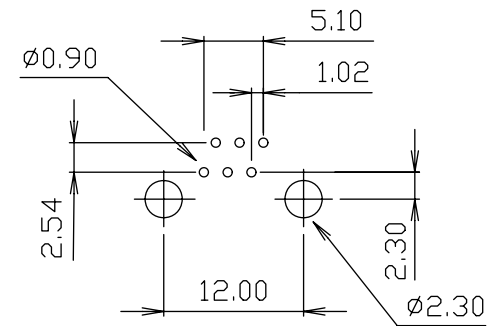


MATERIAL: HOUSING-PBT POLYESTER UL94V-0
 MIXED GLASS FIBER,
 STANDARD COLOR-GRAY.
 CONTACTS-0.45mm DIAMETER PHOS-BRONZE
 PLATED WITH HARH GOLD.
 CAVITY CONFORMS TO FCC RULES AND REGULATIONS
 PART68,SUBPART F.



PC Board Layout

Ordering Information

AJT87A	6	6	1	X
Type	Positions	Contacts	Ports	Plating
				1 = 6u"
				3 = 30u"

Tolerance unless otherwise specified mm .0 ± .25 .00 ± .13 .000 ± .05
--

METZ CONNECT	P/N: AJT87A661X
Desc.: Side entry, thru hole modular jack	
Date: 12-07-09	Drawn By: Donna Mears
Dimensions in mm	Verified By: Mike Balekdjian