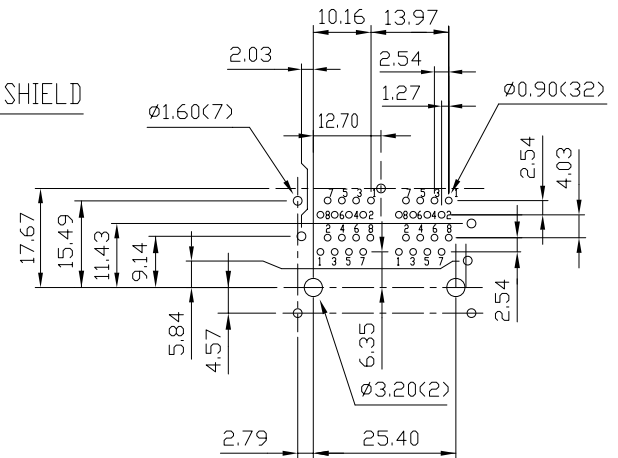
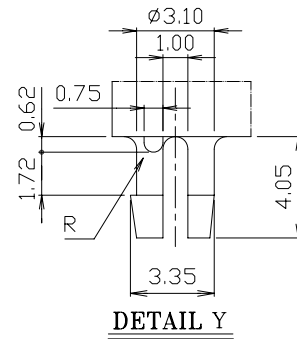
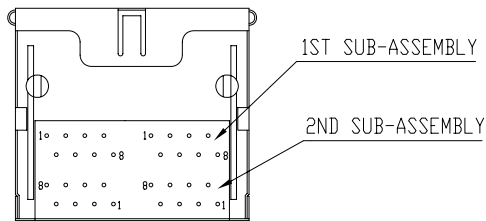
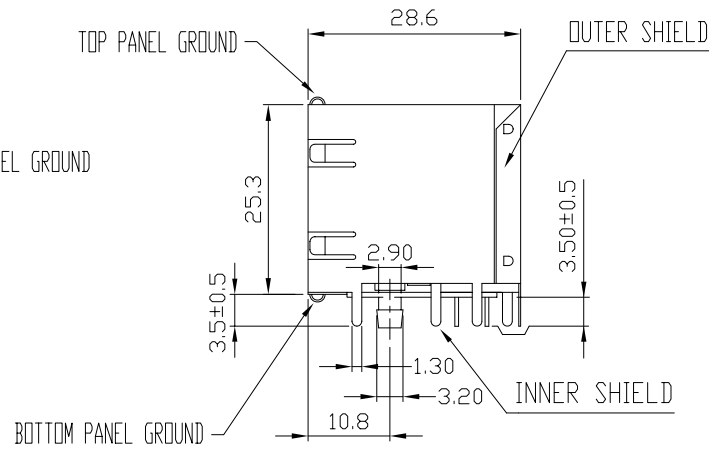
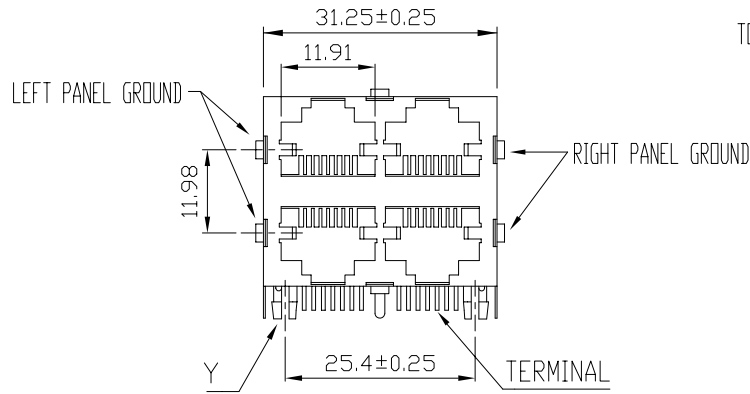


MATERIAL: HOUSING-PBT POLYESTER UL-94V-0
 MIXED GLASS FIBER.
 STANDARD COLOR-BLACK
 CONTACTS-0.35mm THICK PHOS-BRONZE
 PLATED WITH HARD GOLD AND
 TIN/LEAD IN SOLDER AREA.
 SHIELD-0.25mm THICK COPPER ALLOY,
 PLATED WITH NICKEL.

CAVITY CONFIRMS TO FCC RULES AND REGULATIONS
 PART 68,SUBPART F.



PCB LAYOUT
 Ref.

Ordering Information

AJT49D	8	8	4	X
Type	Positions	Contacts	Ports	Plating 1 = 6u" 3 = 30u"

Tolerance unless otherwise specified mm .0 ± .25 .00 ± .13 .000 ± .05

METZ CONNECT	P/N: AJT49D884X
Desc.: Side entry, 2 X 2, shielded, thru hole modular jack	
Date: 2-2-10	Drawn By: Donna Mears
Dimensions in mm	Verified By: Mike Balekdjian