

## Data sheet

PC board jack M12, D-coded, 4-pole, IP67,  
front mounting

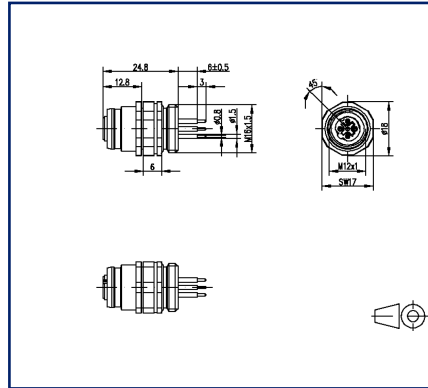
Page 1/5

P/N  
MMW360A1A1  
EAN 4250184143116  
2024/11/06  
Version: I

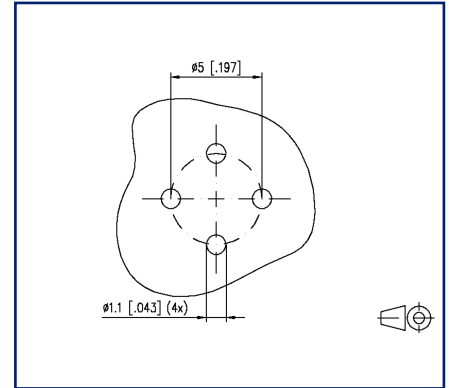
### Illustrations



Dimensional drawing



Drill pattern



See enlarged drawings at the end of document

### Product specification

- PC board jack M12
- 4-pole, D-coded according to IEC 61076-02-101
- THR solderable
- Front mounting
- Contact carriers green
- IP67 when plugged in
- suitable for applications in the railway industry



**Data sheet**  
**PC board jack M12, D-coded, 4-pole, IP67, front mounting**

**Technical Data**

**General Data**

Dimensions	
Dimension (D x H)	Ø 18 mm x 33.8 mm
Dimension (D x H)	0.709 in. x 1.331 in.
Ports	Single port
Coding	D-coded

**Electrical characteristics**

Rated voltage	250 V
Effective value of the withstand voltage	1.4 kV
Current carrying capacity at 40 °C	4 A
Insulation resistance	min. 100 MOhm

**Mechanical data**

Material	
Material - Housing	CuZnPb
Material - Contact	CuZnPb
Contact surface	Ni + Au
Shield material	CuSn
Material - Insulating body	PA UL94 V0
Color	metallike
Life - Number of mating cycles	>= 100
Protection category	IP 67

**Climatic properties**

Temperature - Operating °C	-40 °C - 90 °C
Temperature - Operating °F	-40 °F - 194 °F

**Approvals**

Approval mark UL/CSA	pending
----------------------	---------

**Standards/Regulations**

Railway applications	
Electronic equipment used on rolling stock	following to DIN EN 50155
Fire protection on railway vehicles	following to DIN EN 45545-2

**PC board jack M12, D-coded, 4-pole, IP67,  
front mounting**

P/N

MMW360A1A1

EAN 4250184143116

2024/11/06

Version: I

**Technical Data****Classifications**

ETIM 7.0	EC002637
ETIM 8.0	EC002637
ETIM 9.0	EC002637

**Application note**

This product is a standard product of METZ CONNECT. METZ CONNECT is not aware of the specific intended use of the goods by the Customer or any customers of the Customer. The Customer guarantees that it has fully and sufficiently tested the use of the goods and any product modifications, product changes or product enhancements with regard to the specific intended use in accordance with the state of the art or in any other way. At METZ CONNECT's request, the Customer shall submit and make available meaningful evidence (e.g. test and laboratory protocols, certifications, etc.).



# U | Contact

Data sheet

Page 4/5

**PC board jack M12, D-coded, 4-pole, IP67,  
front mounting**

P/N

**MMW360A1A1**

**EAN 4250184143116**

2024/11/06

Version: I

## Accessories

P/N	Designation
700701	M12 screw plug for jacks IP54



# U | Contact

Data sheet

**PC board jack M12, D-coded, 4-pole, IP67,  
front mounting**

Page 5/5

P/N

MMW360A1A1

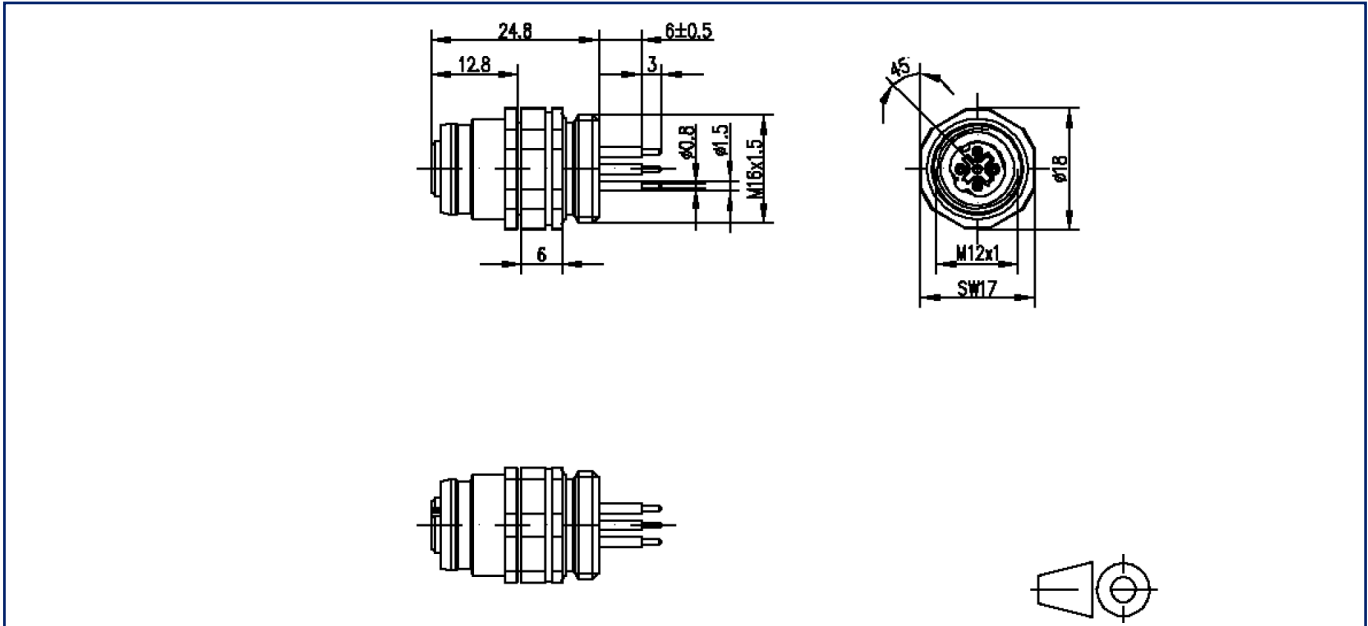
EAN 4250184143116

2024/11/06

Version: I

## Illustrations

Dimensional drawing



Drill pattern

