

Data sheet

PC board insert M12, X-coded, 8-pole, green, 90° angled

Page 1/4

P/N

MMTA70A315

EAN 4250184169598

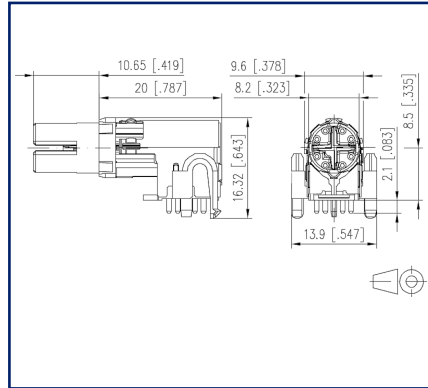
2024/11/06

Version: K

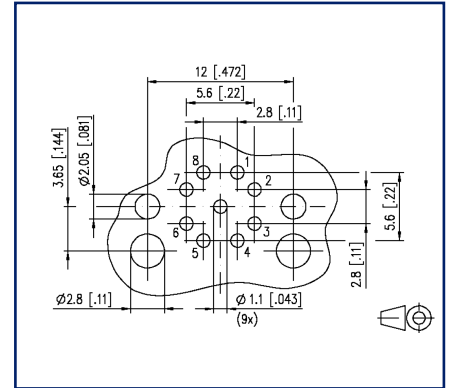
Illustrations



Dimensional drawing



Drill pattern



See enlarged drawings at the end of document

Product specification

- PC board insert M12
- 90° angled
- 8-pole, X-coded according to IEC 61076-2-109
- 10 GBit suitable according to IEEE 802.3an
- THR solderable
- Side entry
- Contact carriers green
- suitable for applications in the railway industry according to data sheet



PC board insert M12, X-coded, 8-pole, green, 90° angled

P/N

MMTA70A315

EAN 4250184169598

2024/11/06

Version: K

Technical Data

General Data

Dimensions

Dimension (L x W x H)	30.65 mm x 13.9 mm x 16.32 mm
Dimension (L x W x H)	1.207 in. x 0.547 in. x 0.643 in.
Jack	M12
Coding	X-coded

Electrical characteristics

Rated voltage	50 V AC / 60 V DC
Effective value of the withstand voltage	0.5 kV
Nominal current at 50 °C	max. 0.5 A
Insulation resistance	min. 100 MOhm
Overvoltage category	II
Degree of pollution	2

Mechanical data

Material

Material - Housing	CuZnPb
Material - Contact	CuZnPb
Contact surface	Ni + Au
Material - Insulating body	PA UL94 V0
Life - Number of mating cycles	>= 100

Climatic properties

Temperature - Operating °C	-40 °C - 85 °C
Temperature - Operating °F	-40 °F - 185 °F

Approvals

Approval mark UL/CSA	E178484
----------------------	---------

Packaging

Type of packaging	10 pc(s) / blister packaging
-------------------	------------------------------

PC board insert M12, X-coded, 8-pole, green, 90° angled

P/N

MMTA70A315

EAN 4250184169598

2024/11/06

Version: K

Technical Data**Standards/Regulations**

Railway applications

Electronic equipment used on rolling stock	following to DIN EN 50155
Fire protection on railway vehicles	following to DIN EN 45545-2

Classifications

ETIM 7.0	EC002637
ETIM 8.0	EC002637
ETIM 9.0	EC002637

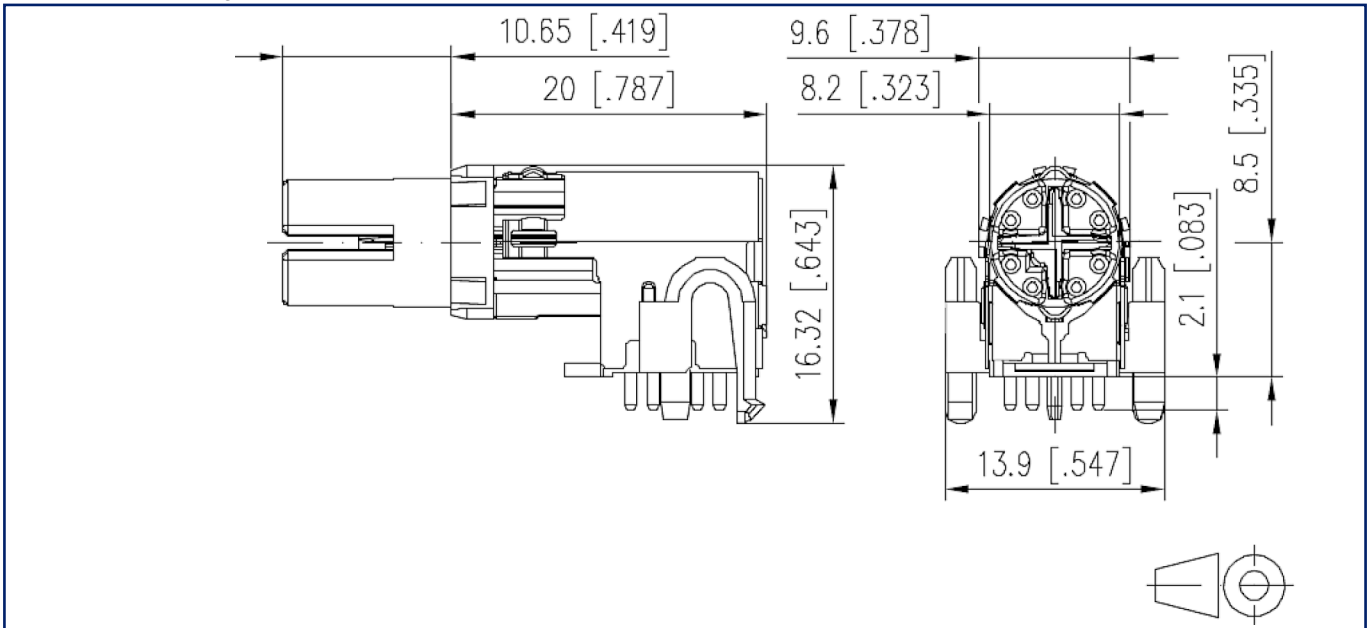
Application note

This product is a standard product of METZ CONNECT. METZ CONNECT is not aware of the specific intended use of the goods by the Customer or any customers of the Customer. The Customer guarantees that it has fully and sufficiently tested the use of the goods and any product modifications, product changes or product enhancements with regard to the specific intended use in accordance with the state of the art or in any other way. At METZ CONNECT's request, the Customer shall submit and make available meaningful evidence (e.g. test and laboratory protocols, certifications, etc.).



Illustrations

Dimensional drawing



Drill pattern

