

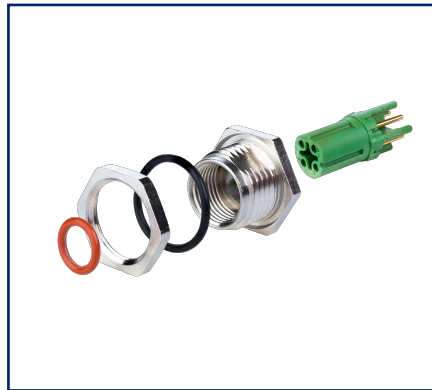
## Data sheet

PC board jack M12, D-coded, 4-pole, IP67,  
rear mounting, in individual parts

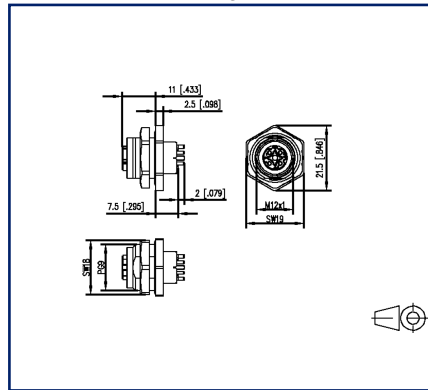
Page 1/5

P/N  
MMT371A115-0001  
EAN 4251394621982  
2024/11/06  
Version: M

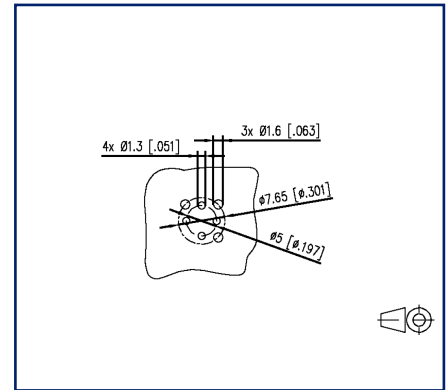
### Illustrations



Dimensional drawing



Drill pattern



See enlarged drawings at the end of document

### Product specification

- PC board jack M12
- Cat.5
- 4-pole, D-coded according to IEC 61076-02-101
- rear wall mounting
- for 100 MBit Fast Ethernet (IEEE 802.3an)
- THR solderable
- Top entry
- Contact carriers green
- IP67 when plugged in
- in individual parts
- suitable for applications in the railway industry according to data sheet

**Data sheet**  
**PC board jack M12, D-coded, 4-pole, IP67, rear mounting, in individual parts**

**Technical Data**

**General Data**

Dimensions	
Dimension (D x H)	Ø 21.5 mm x 20.5 mm
Dimension (D x H)	0.846 in. x 0.807 in.
Ports	Single port
Coding	D-coded

**Electrical characteristics**

Rated voltage	250 V
Effective value of the withstand voltage	1.4 kV
Current carrying capacity at 40 °C	4 A
Insulation resistance	min. 100 MOhm
Overvoltage category	II
Degree of pollution	2

**Mechanical data**

Material	
Material - Housing	CuZnPb
Material - Contact	CuZnPb
Contact surface	Ni + Au
Shield material	CuSn
Material - Insulating body	PA UL94 V0
Color	metallike
Life - Number of mating cycles	>= 100
Tightening torque - Plug	0,6 - 1 Nm
Tightening torque - Jack mounting	3 Nm +/- 0,5 Nm
Protection category	IP67 when plugged in

**Climatic properties**

Temperature - Operating °C	-40 °C - 85 °C
Temperature - Operating °F	-40 °F - 185 °F

**PC board jack M12, D-coded, 4-pole, IP67,  
rear mounting, in individual parts**

P/N

MMT371A115-0001

EAN 4251394621982

2024/11/06

Version: M

**Technical Data****Approvals**

Approval mark UL/CSA E305050

**Packaging**

Type of packaging 10 pc(s) / blister packaging

**Standards/Regulations**

## Railway applications

Electronic equipment used on rolling stock following to DIN EN 50155

Fire protection on railway vehicles following to DIN EN 45545-2

**Classifications**

ETIM 7.0 EC002637

ETIM 8.0 EC002637

ETIM 9.0 EC002637

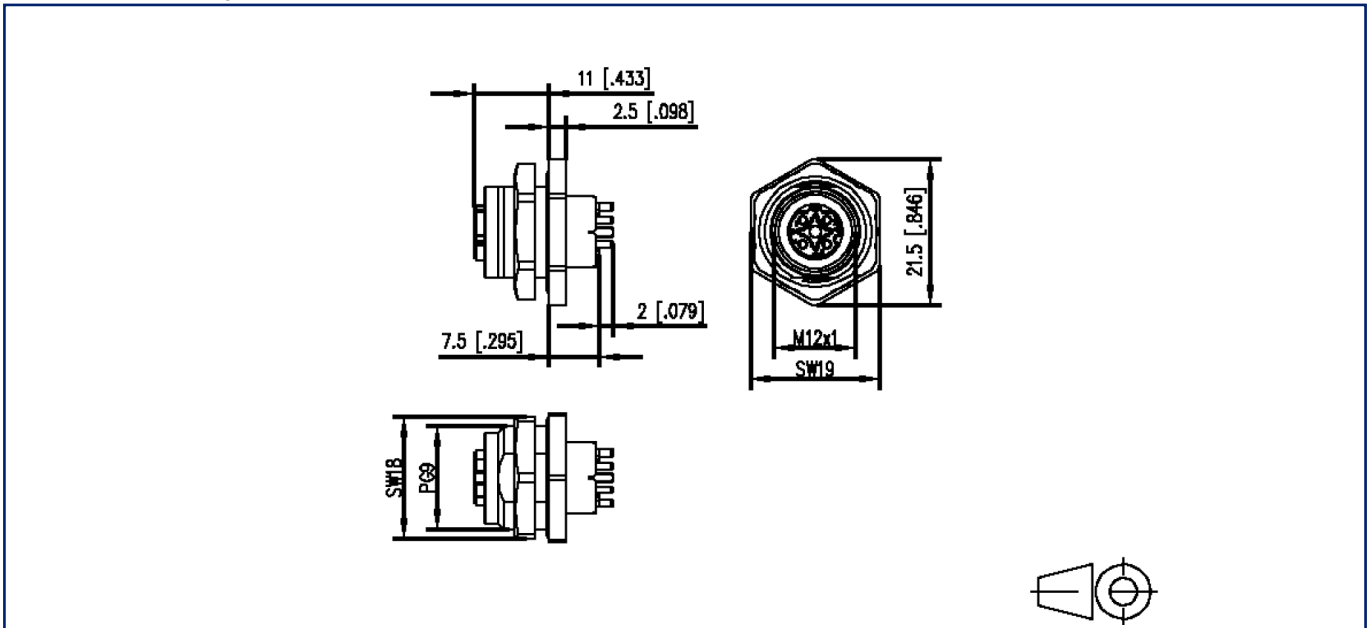
**Application note**

This product is a standard product of METZ CONNECT. METZ CONNECT is not aware of the specific intended use of the goods by the Customer or any customers of the Customer. The Customer guarantees that it has fully and sufficiently tested the use of the goods and any product modifications, product changes or product enhancements with regard to the specific intended use in accordance with the state of the art or in any other way. At METZ CONNECT's request, the Customer shall submit and make available meaningful evidence (e.g. test and laboratory protocols, certifications, etc.).

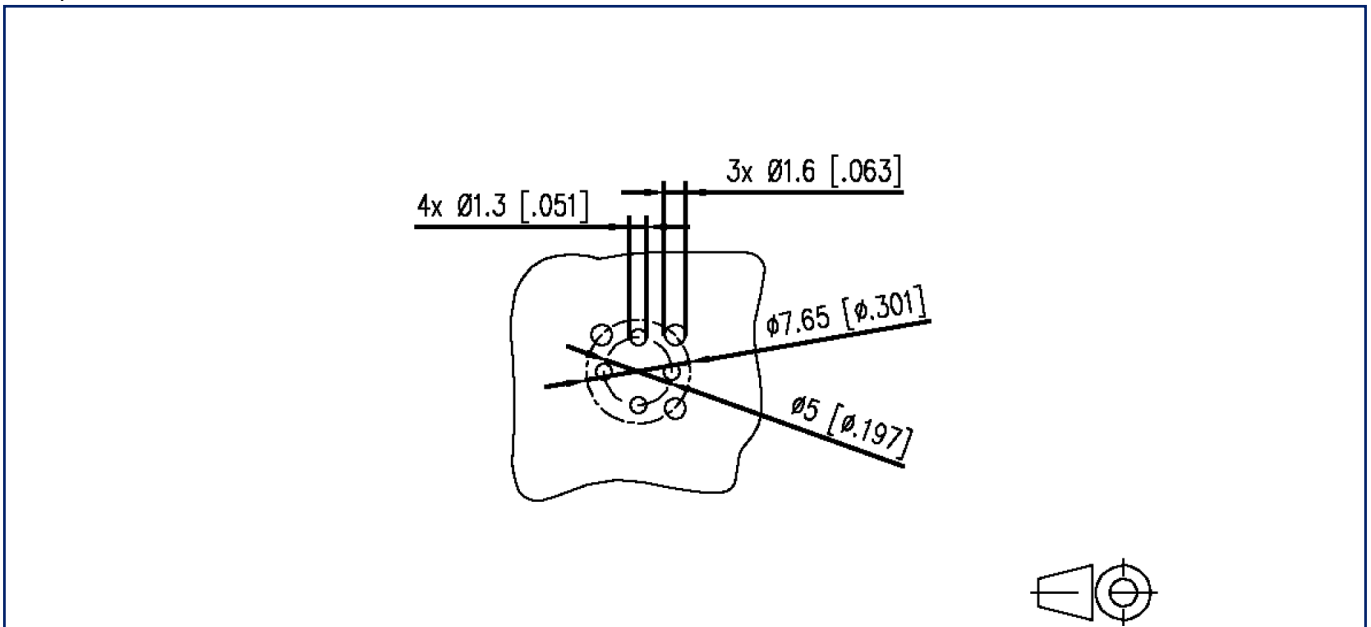


**Illustrations**

Dimensional drawing



Drill pattern



# U | Contact

Data sheet

Page 5/5

**PC board jack M12, D-coded, 4-pole, IP67,  
rear mounting, in individual parts**

P/N

MMT371A115-0001

EAN 4251394621982

2024/11/06

Version: M

## Illustrations

Cut-out

