

Data sheet

PC board insert M12, A-coded, 4-pole, black, Tape & Reel

Page 1/5

P/N

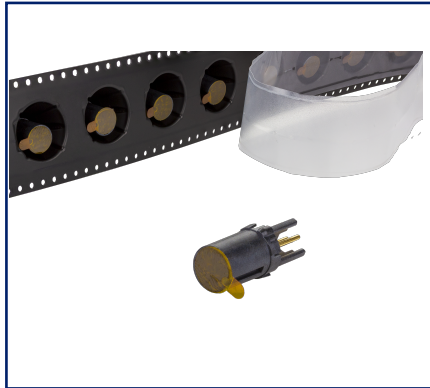
MMT060A715-G201

EAN 4251394631844

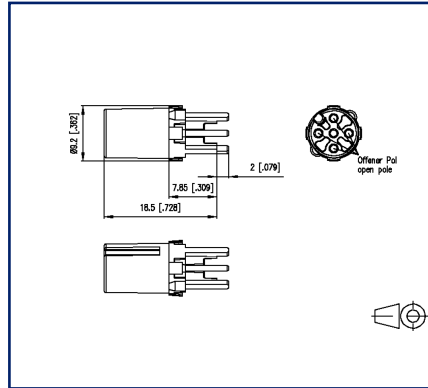
2024/11/06

Version: P

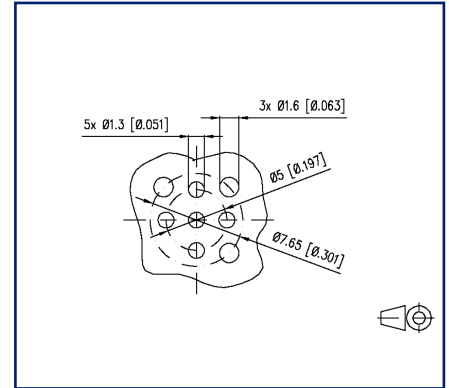
Illustrations



Dimensional drawing



Drill pattern



See enlarged drawings at the end of document

Product specification

- PC board insert M12
- 4-pole, A-coded according to IEC 61076-2-101
- THR solderable
- Top entry
- Contact carriers black
- Tape & Reel packaging
- suitable for applications in the railway industry according to data sheet



Technical Data

General Data

Dimensions

Dimension (D x H)	Ø 9.2 mm x 20.5 mm
Dimension (D x H)	0.362 in. x 0.807 in.
Ports	Single port
Solderability	Acc. to IPC/JEDEC J-STD-020E-MSL 1
Coding	A-coded

Electrical characteristics

Rated voltage	250 V
Effective value of the withstand voltage	1.4 kV
Current carrying capacity at 40 °C	4 A
Insulation resistance	min. 100 MOhm
Overvoltage category	II
Degree of pollution	2

Mechanical data

Material

Material - Contact	CuZnPb
Contact surface	Ni + Au
Material - Insulating body	LCP UL94 V0
Color	black
RoHS	pending
Life - Number of mating cycles	>= 100

Climatic properties

Temperature - Operating °C	-40 °C - 85 °C
Temperature - Operating °F	-40 °F - 185 °F

Approvals

Approval mark UL/CSA	E305050
----------------------	---------

PC board insert M12, A-coded, 4-pole, black, Tape & Reel

P/N

MMT060A715-G201

EAN 4251394631844

2024/11/06

Version: P

Technical Data**Packaging**

Type of packaging 160 pc(s) / Tape & Reel

Standards/Regulations

Railway applications

Electronic equipment used on rolling stock following to DIN EN 50155

Fire protection on railway vehicles following to DIN EN 45545-2

Classifications

ETIM 7.0 EC002637

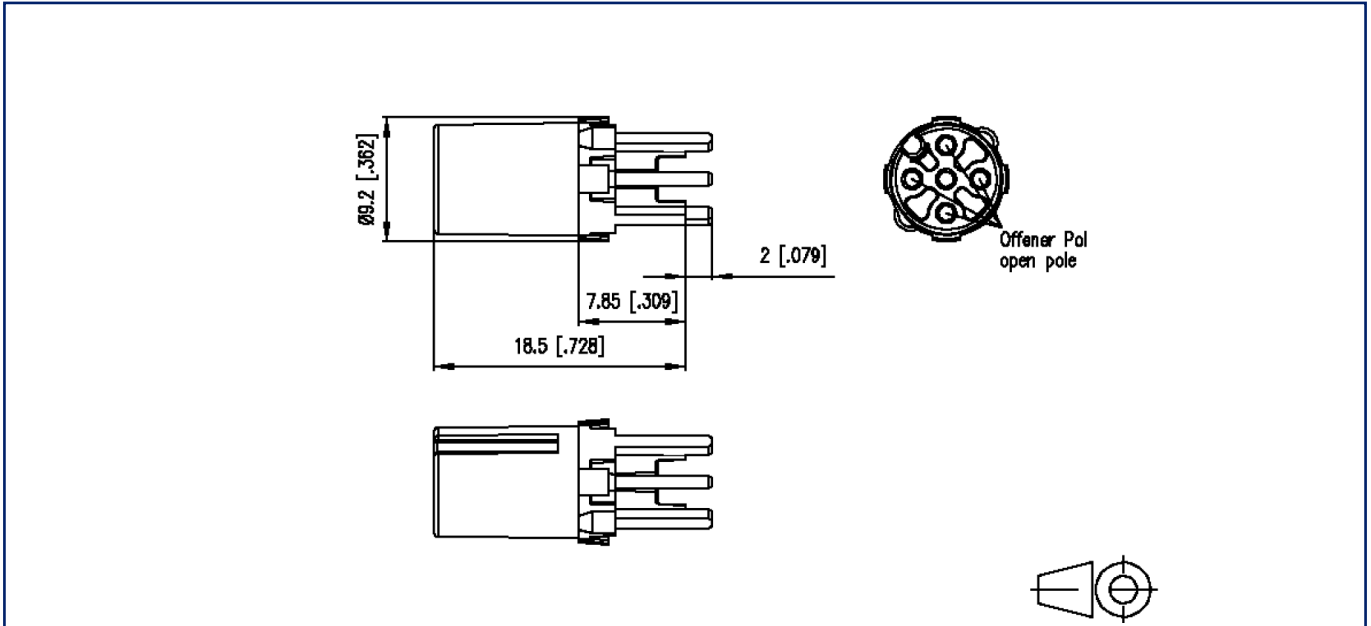
ETIM 8.0 EC002637

Application note

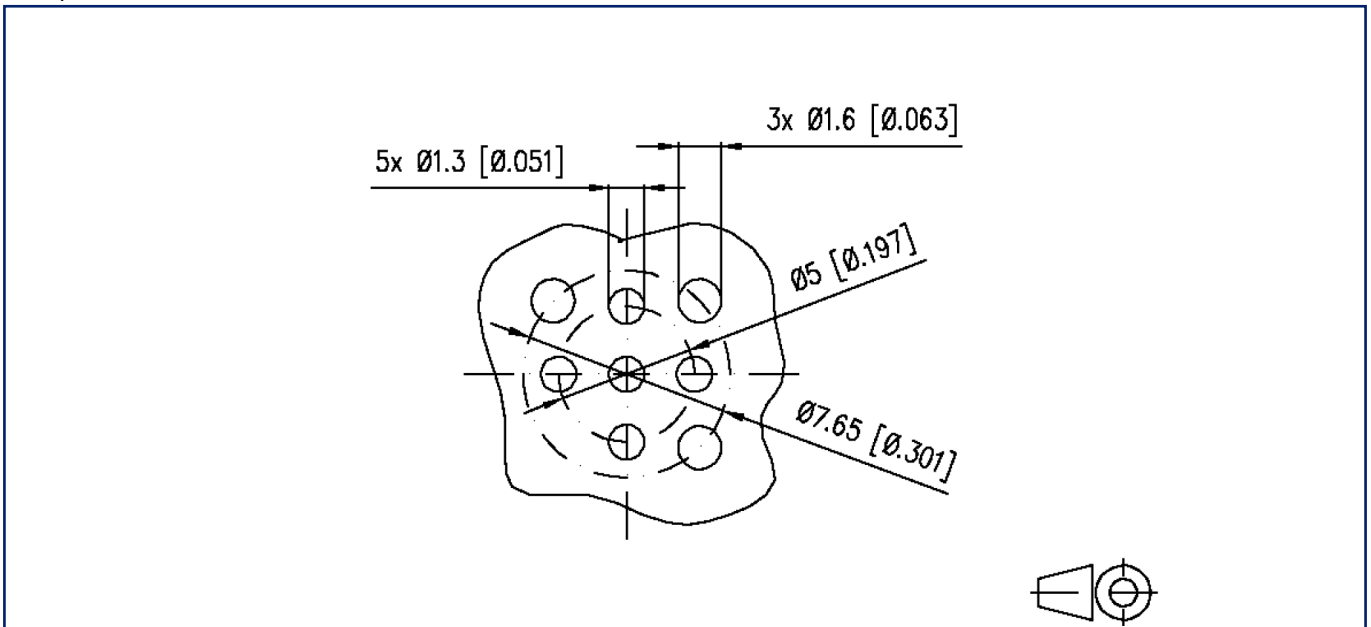
This product is a standard product of METZ CONNECT. METZ CONNECT is not aware of the specific intended use of the goods by the Customer or any customers of the Customer. The Customer guarantees that it has fully and sufficiently tested the use of the goods and any product modifications, product changes or product enhancements with regard to the specific intended use in accordance with the state of the art or in any other way. At METZ CONNECT's request, the Customer shall submit and make available meaningful evidence (e.g. test and laboratory protocols, certifications, etc.).

Illustrations

Dimensional drawing

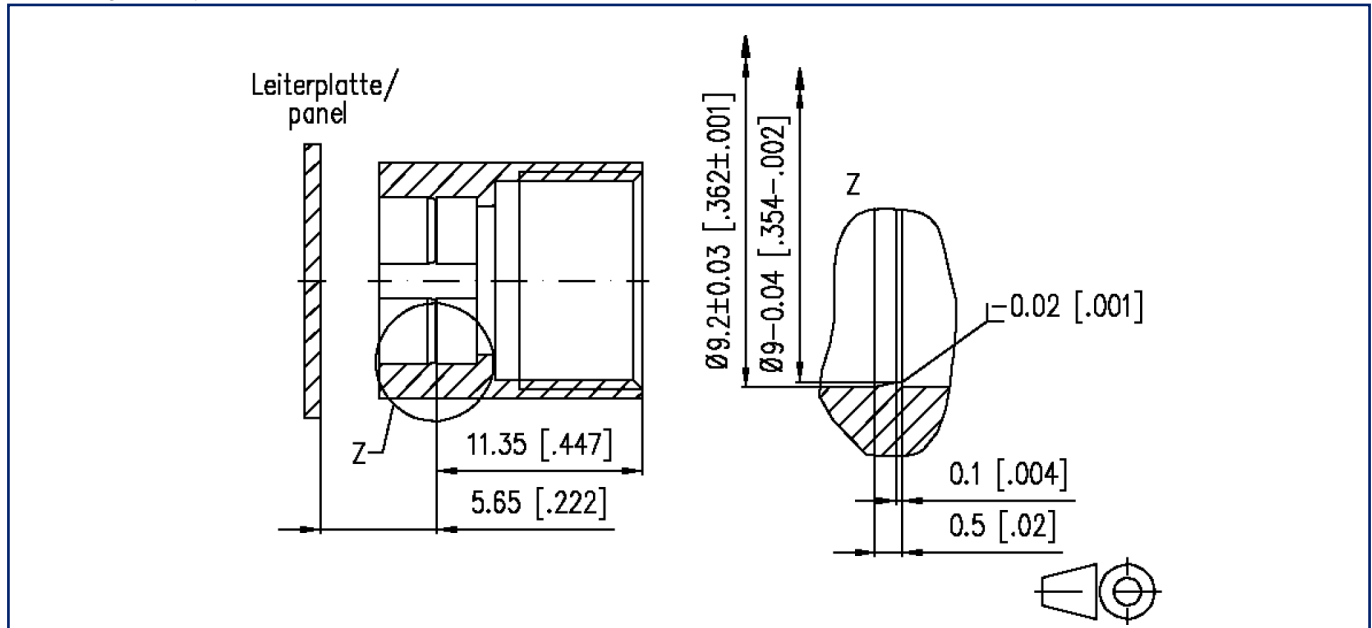


Drill pattern



Illustrations

Snap-in geometry



© 2024 METZ CONNECT - Technische Änderungen vorbehalten! Subject to modifications! Sous réserve de modifications techniques!