

Data sheet

SP051xxVGNN ASP051

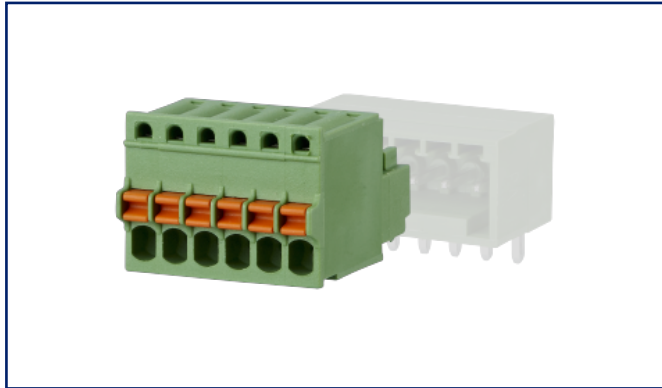
P/N
ASP051xx06

xx=number of poles

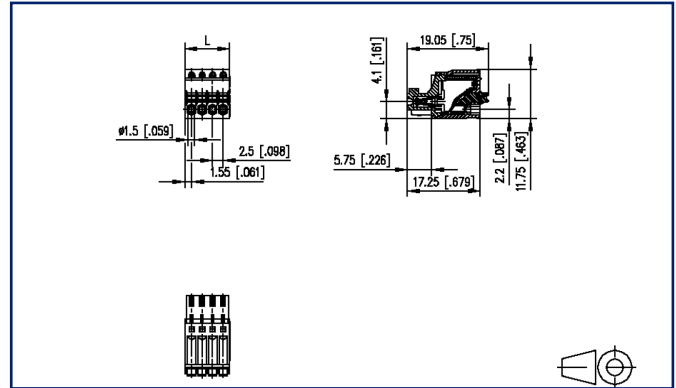
2024/12/06

Version: U

Illustrations



Dimensional drawing as an example



See enlarged drawings at the end of document

Product specification

- spring clamp terminal block, pluggable
- centerline 2.50 mm, direction of connection vertical 0°
- color green
- push-button, wire entry uncodeable side parallel to plug direction



Technical Data

General Data

min. number of poles	2		
max. number of poles	12		
Insulating material class	CTI 600		
clearance/creepage dist.	1.7 mm		
Protection category	IP20		
Insul. strip length	8 mm		
Rated current	4 A		
Rated voltage	160 V	160 V	160 V
Rated test voltage	1.5 kV	1.5 kV	1.5 kV


Terminal data

rat.wiring solid AWGmax	0.08 mm ² - 0.5 mm ² / AWG 28 - AWG 20		
rat.wiring strand.AWGmax	0.08 mm ² - 0.5 mm ² / AWG 28 - AWG 20		

Approvals

 V / A / AWG	150 / 5 / 28 - 20		
---	-------------------	--	--

approval UL - File No.	E121004		
------------------------	---------	--	--

 0.5 mm ²	80 V / 6 A		
---	------------	--	--

Material

insulating material	PA66		
flammability class	V0		
spring material	Spring steel		
contact material	CuSn		
Contact surface	Sn		
Glow-Wire Flammability GWFI	960 °C acc. to IEC 60695-2-12		
Glow-Wire Flammability GWIT	775 °C acc. to IEC 60695-2-13		

Climatic Data

upper limit temperature	105 °C		
lower limit temperature	-40 °C		

general

Tolerance	ISO 2768 -mH		
-----------	--------------	--	--

Application note

U | Contact

Data sheet

SP051xxVGNN ASP051

Page 3/5

P/N

ASP051xx06

xx=number of poles

2024/12/06

Version: U

Technical Data

This product is a standard product of METZ CONNECT. METZ CONNECT is not aware of the specific intended use of the goods by the Customer or any customers of the Customer. The Customer guarantees that it has fully and sufficiently tested the use of the goods and any product modifications, product changes or product enhancements with regard to the specific intended use in accordance with the state of the art or in any other way. At METZ CONNECT's request, the Customer shall submit and make available meaningful evidence (e.g. test and laboratory protocols, certifications, etc.).



U | Contact

Data sheet

SP051xxVGNN ASP051

Page 4/5

P/N

ASP051xx06

xx=number of poles

2024/12/06

Version: U

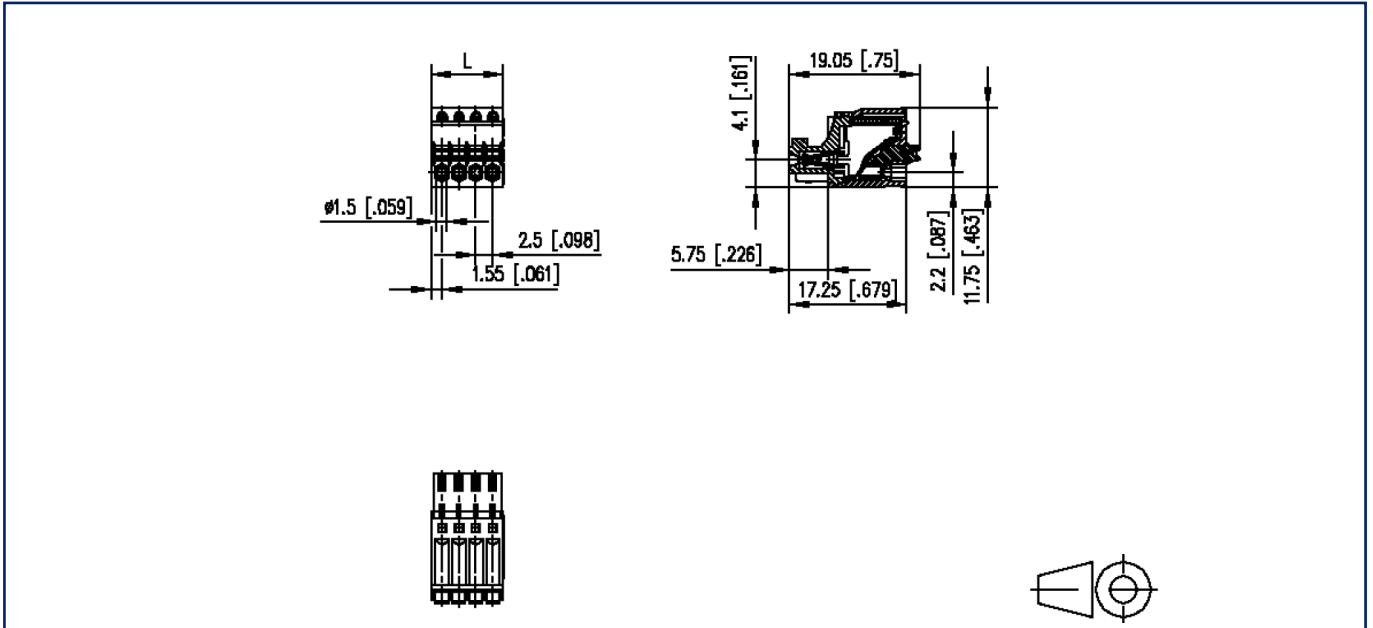
Counterpart

P/N	Designation
313541	PT091xxHBEC Typ 354
313731	PT091xxVGBN Type 373
313741	PT091xxHGBN Type 374



Illustrations

Dimensional drawing as an example



$L = (\text{pole size} - 1) \times \text{centerline} + 3.1 \text{ mm} [0.122]$