

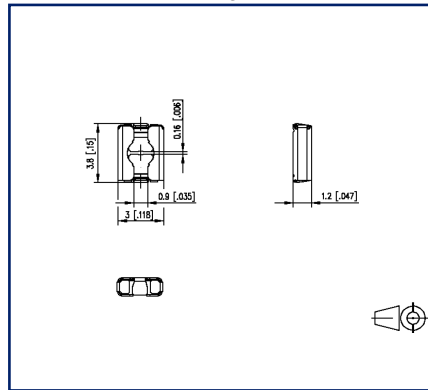
# Data sheet

## SM02V01VXNN01G1 15-inch Reel solder pad/component side

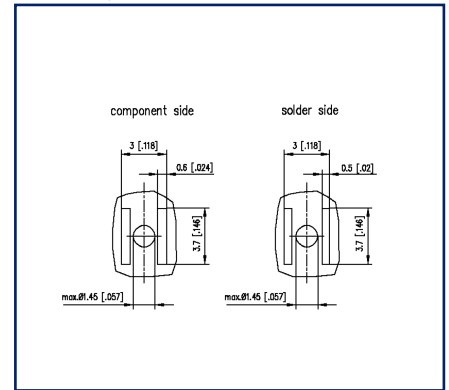
### Illustrations



Dimensional drawing as an example



PCB-Layout



See enlarged drawings at the end of document

### Product specification

- spring clamp terminal block, SMT solderable
- one-way contact
- direction of connection vertical 0°
- Tape & Reel packaging

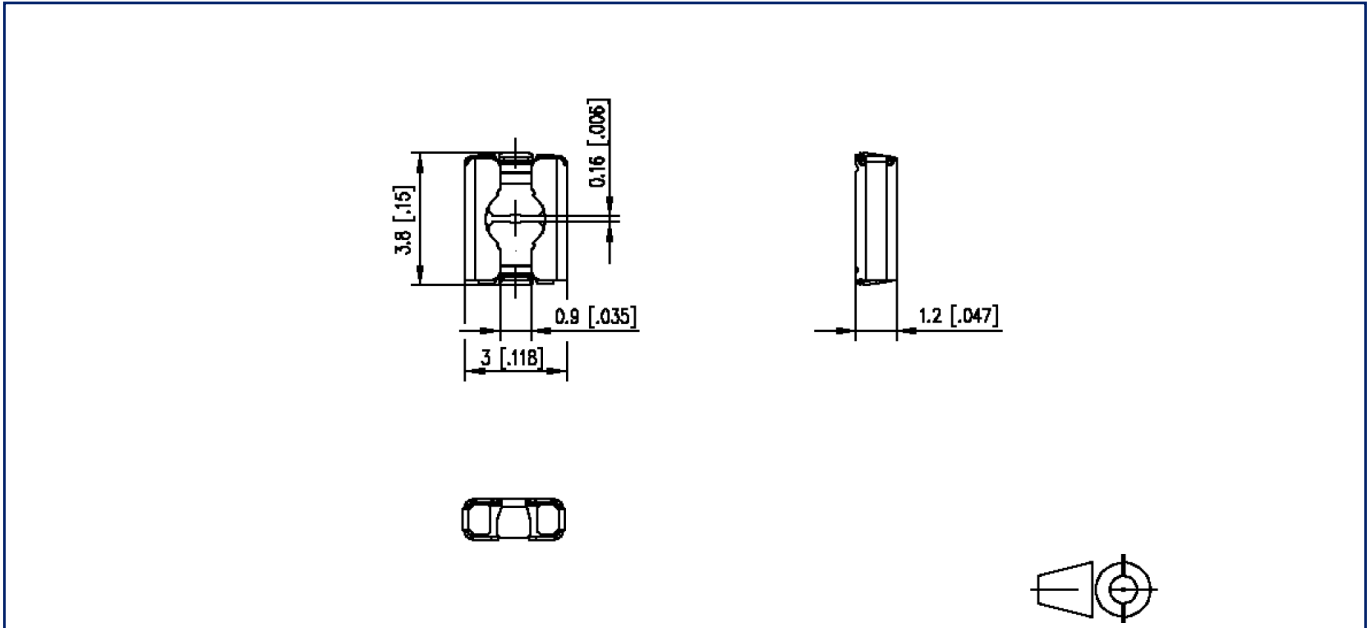
## Technical Data

General Data	
min. number of poles	1
max. number of poles	1
Protection category	IP00
Insul. strip length	4 mm
Rated current	4 A
Terminal data	
rat.wiring solid AWGmax	0.25 mm <sup>2</sup> - 0.5 mm <sup>2</sup> / AWG 24 - AWG 20
Material	
contact material	CuBe
Contact surface	Ni + Sn
Climatic Data	
upper limit temperature	150 °C
lower limit temperature	-40 °C
general	
Tolerance	ISO 2768 -mH
Solderability	Acc. to IPC/JEDEC J-STD-020D-MSL 1
Sicherheitshinweis	
Safety instructions	Components have to be fixed in a way to prevent any transmission of forces on to the contact. Components with more than one pin are recommended.
General information	
General information	Technical data were determined with round copper wires.
Application note	

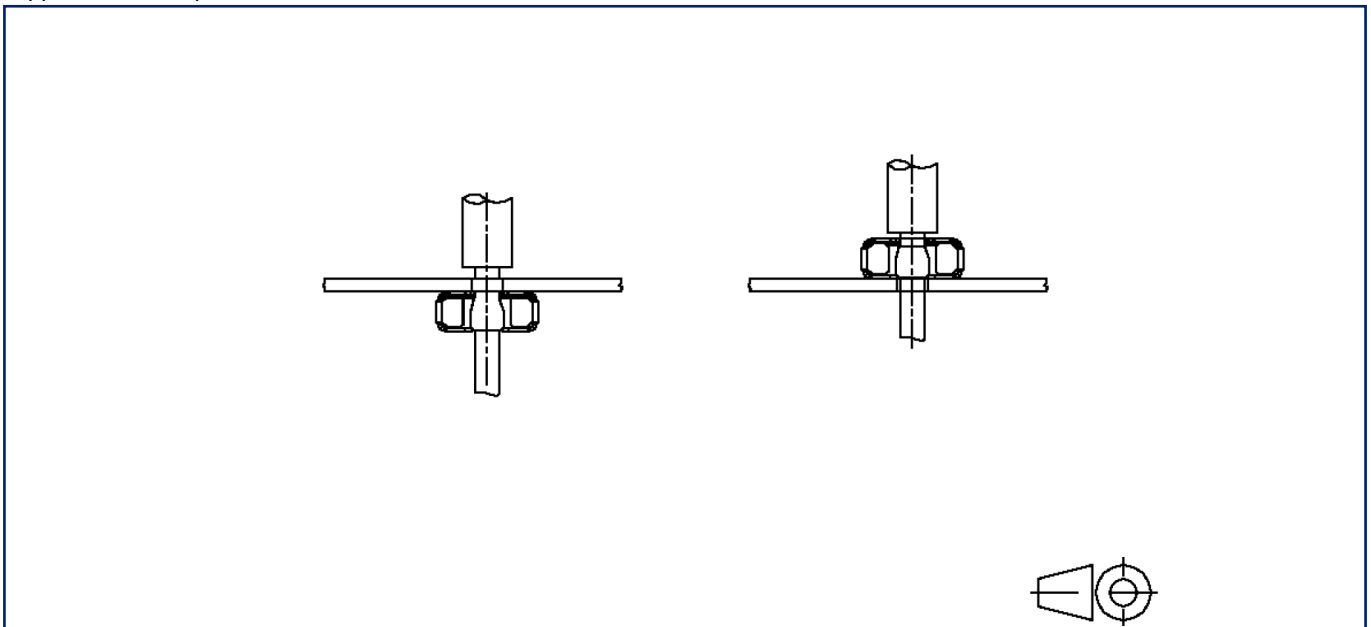
This product is a standard product of METZ CONNECT. METZ CONNECT is not aware of the specific intended use of the goods by the Customer or any customers of the Customer. The Customer guarantees that it has fully and sufficiently tested the use of the goods and any product modifications, product changes or product enhancements with regard to the specific intended use in accordance with the state of the art or in any other way. At METZ CONNECT's request, the Customer shall submit and make available meaningful evidence (e.g. test and laboratory protocols, certifications, etc.).

**Illustrations**

Dimensional drawing as an example



Application example



**Illustrations**

PCB-Layout

