

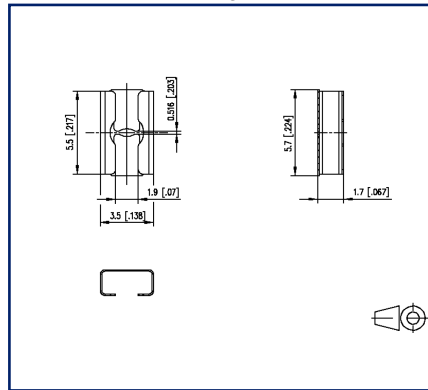
# Data sheet

## SM01Y01VXNN02G1 7-inch Reel solder pad/solder side

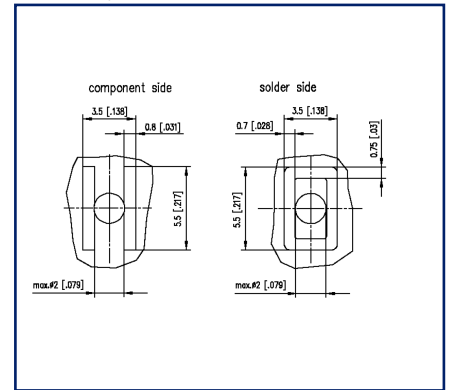
### Illustrations



Dimensional drawing as an example



PCB-Layout



See enlarged drawings at the end of document

### Product specification

- spring clamp terminal block, SMT solderable
- one-way contact
- direction of connection vertical 0°
- Tape & Reel packaging



## Technical Data

### General Data

|                      |      |
|----------------------|------|
| min. number of poles | 1    |
| max. number of poles | 1    |
| Protection category  | IP00 |
| Insul. strip length  | 4 mm |
| Rated current        | 13 A |

### Terminal data

|                         |  |
|-------------------------|--|
| rat.wiring solid AWGmax | 0.75 mm <sup>2</sup> - 1.5 mm <sup>2</sup> / AWG 18 - AWG 16 |
|-------------------------|--|

### Material

|                  |         |
|------------------|---------|
| contact material | CuBe    |
| Contact surface  | Ni + Sn |

### Climatic Data

|                         |        |
|-------------------------|--------|
| upper limit temperature | 150 °C |
| lower limit temperature | -40 °C |

### general

|               |                                    |
|---------------|------------------------------------|
| Tolerance     | ISO 2768 -mH                       |
| Solderability | Acc. to IPC/JEDEC J-STD-020D-MSL 1 |

### Sicherheitshinweis

|                     |  |
|---------------------|--|
| Safety instructions | Components have to be fixed in a way to prevent any transmission of forces on to the contact. Components with more than one pin are recommended. |
|---------------------|--|

### Application note

This product is a standard product of METZ CONNECT. METZ CONNECT is not aware of the specific intended use of the goods by the Customer or any customers of the Customer. The Customer guarantees that it has fully and sufficiently tested the use of the goods and any product modifications, product changes or product enhancements with regard to the specific intended use in accordance with the state of the art or in any other way. At METZ CONNECT's request, the Customer shall submit and make available meaningful evidence (e.g. test and laboratory protocols, certifications, etc.).

# U | Contact

Data sheet

Page 3/5

**SM01Y01VXNN02G1 7-inch Reel solder pad/solder side**

P/N  
**ASM01Y0164-2G16**

2024/12/06  
Version: W

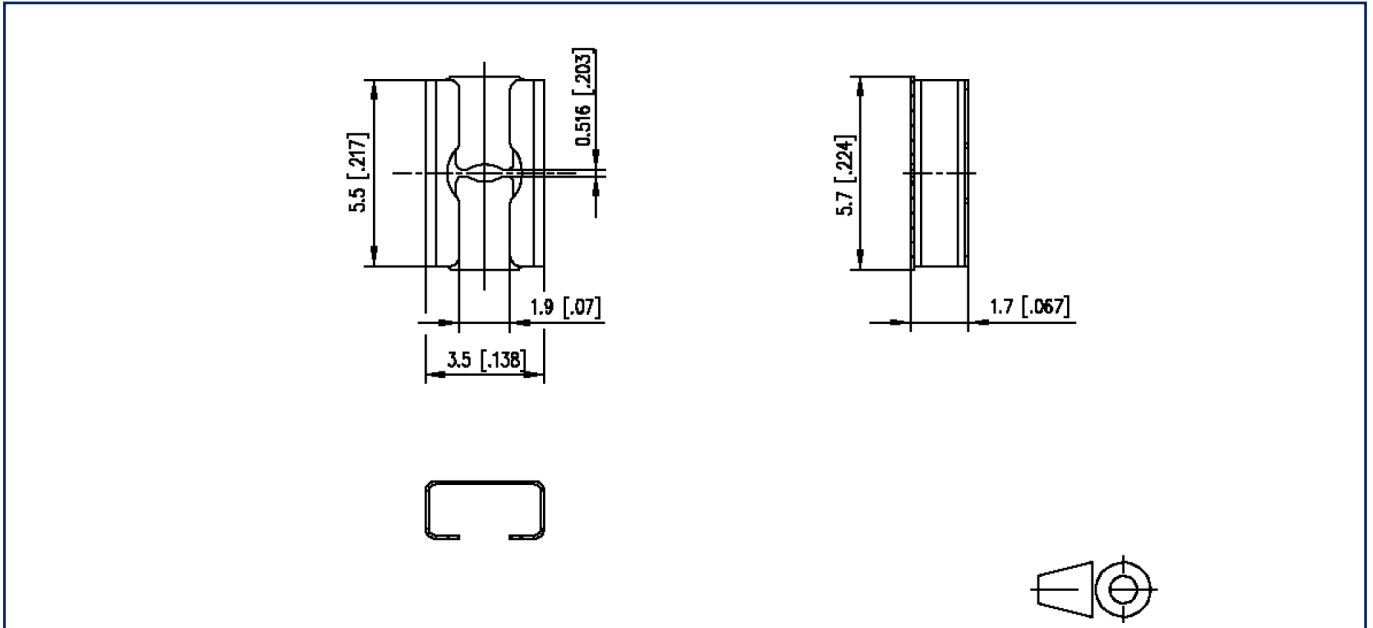
## Counterpart

| P/N    | Designation                              |
|--------|--|
| 709023 | Tape_ASM01Y_16mm K03547 Tape_ASM01Y_16mm |

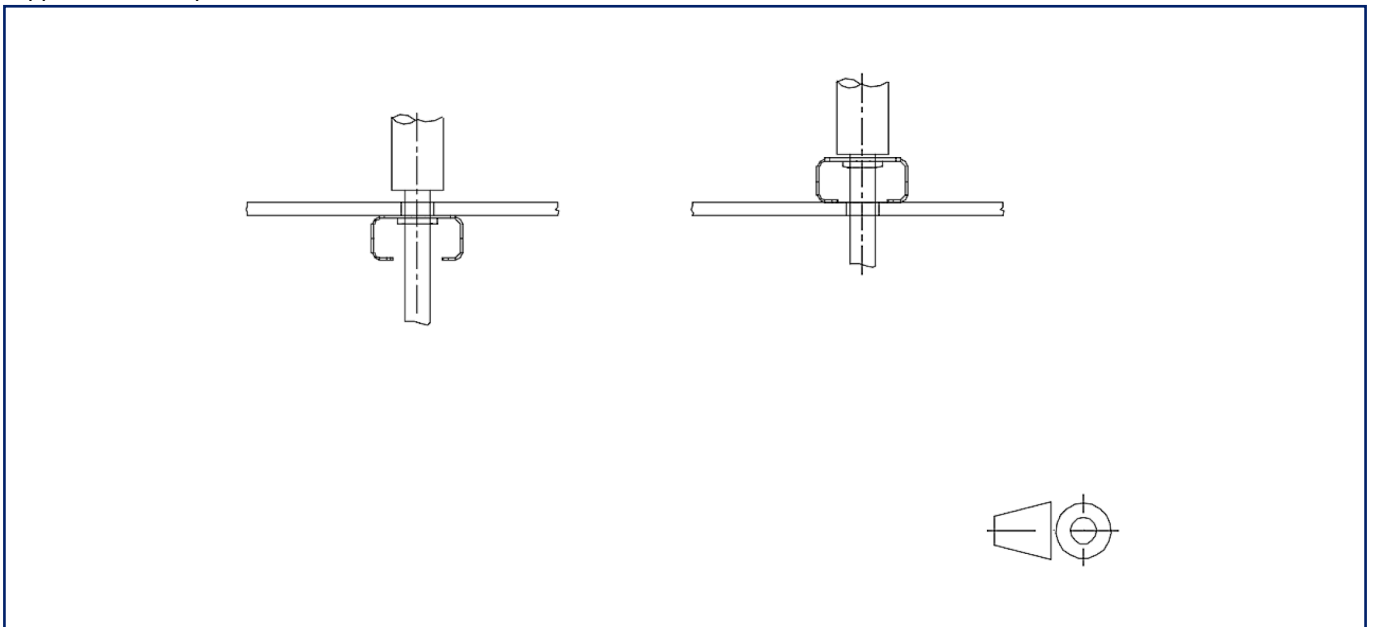


**Illustrations**

Dimensional drawing as an example



Application example



**Illustrations**

PCB-Layout

