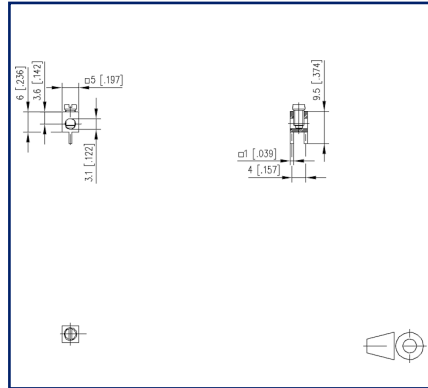


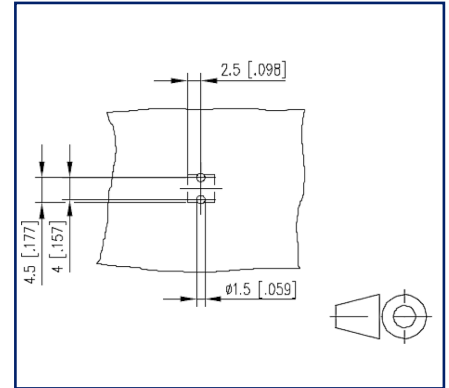
## Illustrations



Dimensional drawing as an example



Drill pattern as an example




See enlarged drawings at the end of document

## Product specification

- screw type terminal block, THR solderable, double solder pins
- direction of connection 90°
- color metallike
- Tape & Reel packaging
- open construction, screw brought down by hand (transport safety)



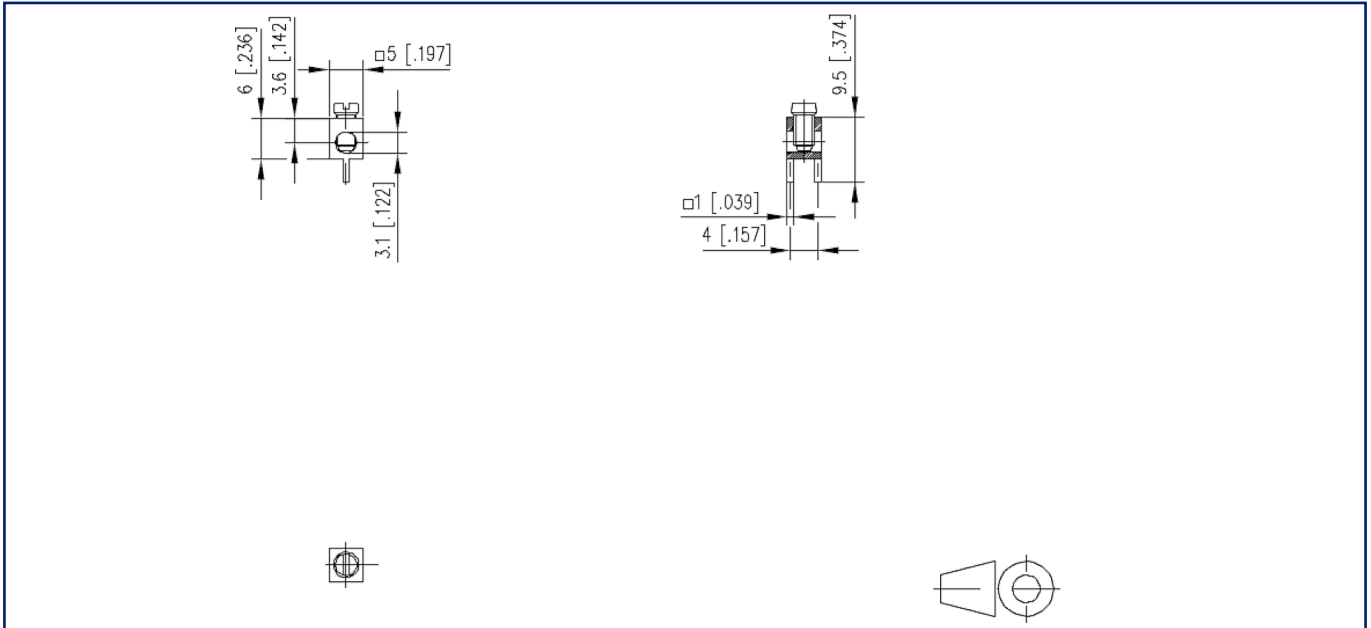
## Technical Data

General Data	
Tightening torque SEV	0.5 Nm
Tightening torque UL	4.4 lb-in
Solder pin length	3.5 mm
min. number of poles	1
max. number of poles	1
Protection category	IP00
Terminal data	
rat.wiring solid AWGmax	0.05 mm <sup>2</sup> - 2.5 mm <sup>2</sup> / AWG 30 - AWG 12
rat.wiring strand.AWGmax	0.05 mm <sup>2</sup> - 2.5 mm <sup>2</sup> / AWG 30 - AWG 12
Approvals	
 A / AWG	15 / 30 - 12
approval UL - File No.	E130077
Material	
terminal body thread	M3
terminal body material	CuZnPb
terminal body surface	Ni + Sn
screw thread	M3
screw material	8,8
screw surface	Zn Cr(VI)-frei/free
general	
Tolerance	ISO 2768 -mH
Solderability	Acc. to IPC/JEDEC J-STD-020D-MSL 1
Application note	

This product is a standard product of METZ CONNECT. METZ CONNECT is not aware of the specific intended use of the goods by the Customer or any customers of the Customer. The Customer guarantees that it has fully and sufficiently tested the use of the goods and any product modifications, product changes or product enhancements with regard to the specific intended use in accordance with the state of the art or in any other way. At METZ CONNECT's request, the Customer shall submit and make available meaningful evidence (e.g. test and laboratory protocols, certifications, etc.).

**Illustrations**

Dimensional drawing as an example



Drill pattern as an example

