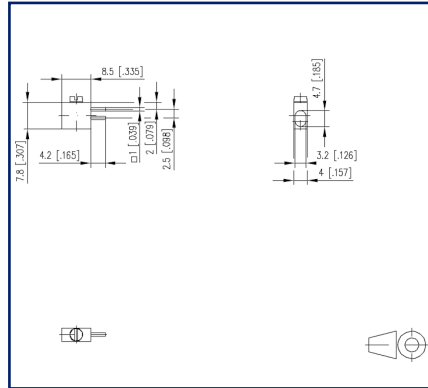


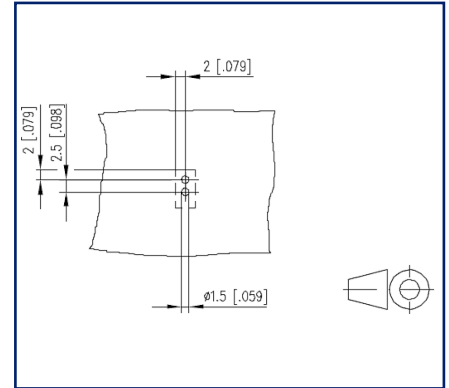
Illustrations



Dimensional drawing as an example



Drill pattern as an example



See enlarged drawings at the end of document

Product specification

- screw type terminal block, THR solderable, double solder pins
- direction of connection vertical 0°
- color metallike
- Tape & Reel packaging
- screw completely hand-screwed

Technical Data

General Data

Tightening torque SEV	0.5 Nm
Tightening torque UL	4.4 lb-in
Solder pin length	4.2 mm
min. number of poles	1
max. number of poles	1
Protection category	IP00
Rated current	20 A

Terminal data

rat.wiring solid AWGmax	0.52 mm ² - 4 mm ² / AWG 20 - AWG 10
rat.wiring strand.AWGmax	0.52 mm ² - 4 mm ² / AWG 20 - AWG 10

Material

terminal body thread	M3,5
terminal body material	CuZnPb
terminal body surface	Ni + Sn
screw thread	M3,5
screw material	8,8
screw surface	Zn Cr(VI)-frei/free

general

Tolerance	ISO 2768 -mH
Solderability	Acc. to IPC/JEDEC J-STD-020E-MSL 1

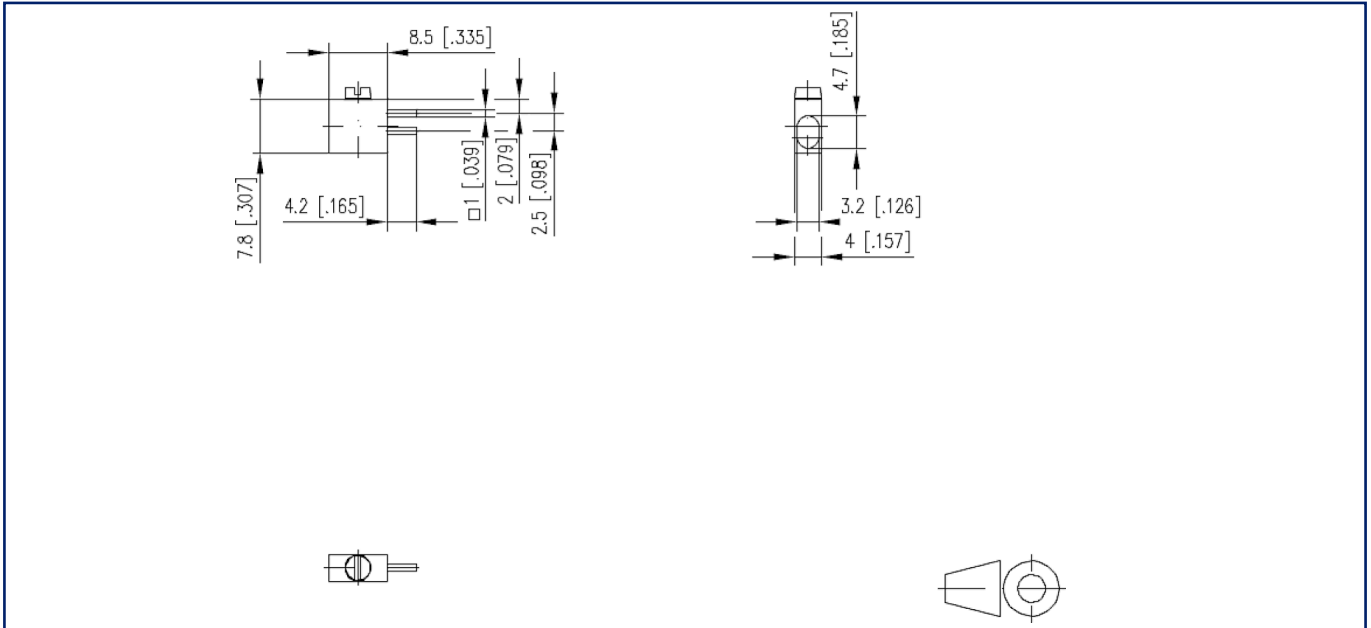
Application note

This product is a standard product of METZ CONNECT. METZ CONNECT is not aware of the specific intended use of the goods by the Customer or any customers of the Customer. The Customer guarantees that it has fully and sufficiently tested the use of the goods and any product modifications, product changes or product enhancements with regard to the specific intended use in accordance with the state of the art or in any other way. At METZ CONNECT's request, the Customer shall submit and make available meaningful evidence (e.g. test and laboratory protocols, certifications, etc.).



Illustrations

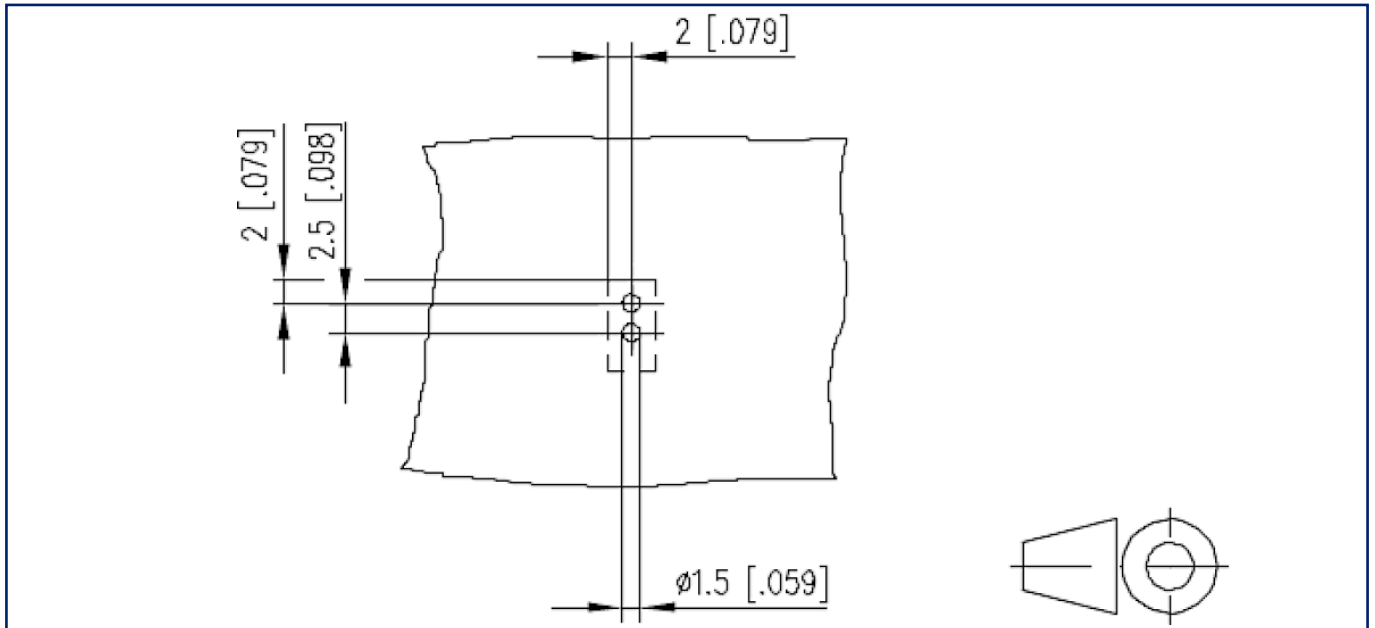
Dimensional drawing as an example



$L = (\text{pole size} - 1) \times \text{centerline} + 8.5 \text{ mm } [0.335]$

Illustrations

Drill pattern as an example



© 2024 METZ CONNECT - Technische Änderungen vorbehalten! Subject to modifications! Sous réserve de modifications techniques!