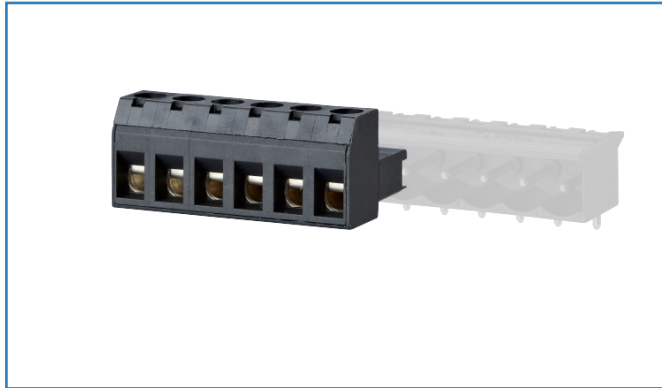


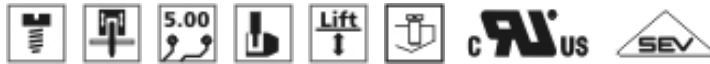
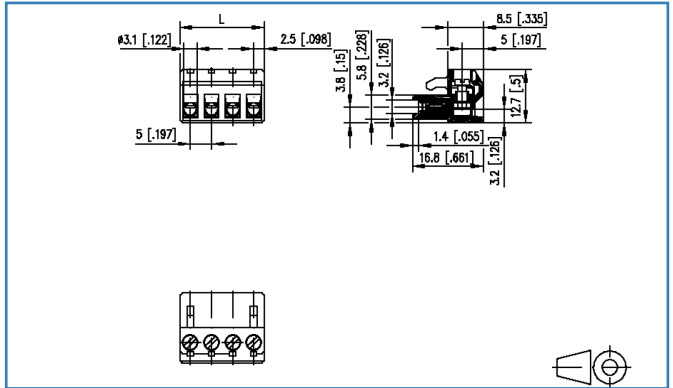
Data sheet

RP015xxWBLC Typ 049

Illustrations



Dimensional drawing



See enlarged drawings at the end of document

Product specification

- screw type terminal block, pluggable
- centerline 5.00 mm, direction of connection vertical 0°
- lift system, fittable without loss of poles
- color black
- wire entry uncodeable side parallel to plug direction, lamella

Technical Data



General Data

Tightening torque SEV	0.5 Nm		
Tightening torque UL	7 lb-in		
min. number of poles	2		
max. number of poles	24		
Insulating material class	CTI 600		
clearance/creepage dist.	4.7 mm		
protection category	IP20		
Min. insul. strip length	6 mm		
Overvoltage category	III	III	II
Pollution degree	3	2	2
Rated voltage	160 V	400 V	400 V
Rated test voltage	2.5 kV	2.5 kV	2.5 kV

Connection Data

rat.wiring solid AWGmax	0.33 mm ² - 2.5 mm ² / AWG 22 - AWG 12		
rat.wiring strand.AWGmax	0.33 mm ² - 2.5 mm ² / AWG 22 - AWG 12		

Approvals

 V / A / AWG	300 / 15 / 22 - 12		
approval UL - File No.	E121004		
 2.5 mm ²	320 V / 4 kV / 13.5 A		

Material

insulating material	PA66
flammability class	V0
contact material	CuBe
contact surface	Ni + Ag
terminal body material	CuZn
terminal body surface	Ni
screw surface	Zn Cr(VI)-frei/free
wire protector material	CuNiZn
screw thread	M3
Glow-Wire Flammability GWFI	960 °C acc. to IEC 60695-2-12
Glow-Wire Flammability GWIT	775 °C acc. to IEC 60695-2-13
REACH - substance (SVHC)	Lead / 7439-92-1

Technical Data

Climatic Data

upper limit temperature	105 °C
lower limit temperature	-40 °C

General

Tolerance	ISO 2768 -mH
-----------	--------------

© 2019 METZ CONNECT - Technische Änderungen vorbehalten! Subject to modifications! Sous réserve de modifications techniques!



U | Contact

Data sheet RP015xxWBLC Typ 049

Page 4/6

P/N
310491xx

xx=number of poles

2019/10/24

Version: O

Accessories

P/N	Designation
716906	716906



Data sheet RP015xxWBLC Typ 049

Page 5/6

P/N
310491xx

xx=number of poles

2019/10/24

Version: O

Counterpart

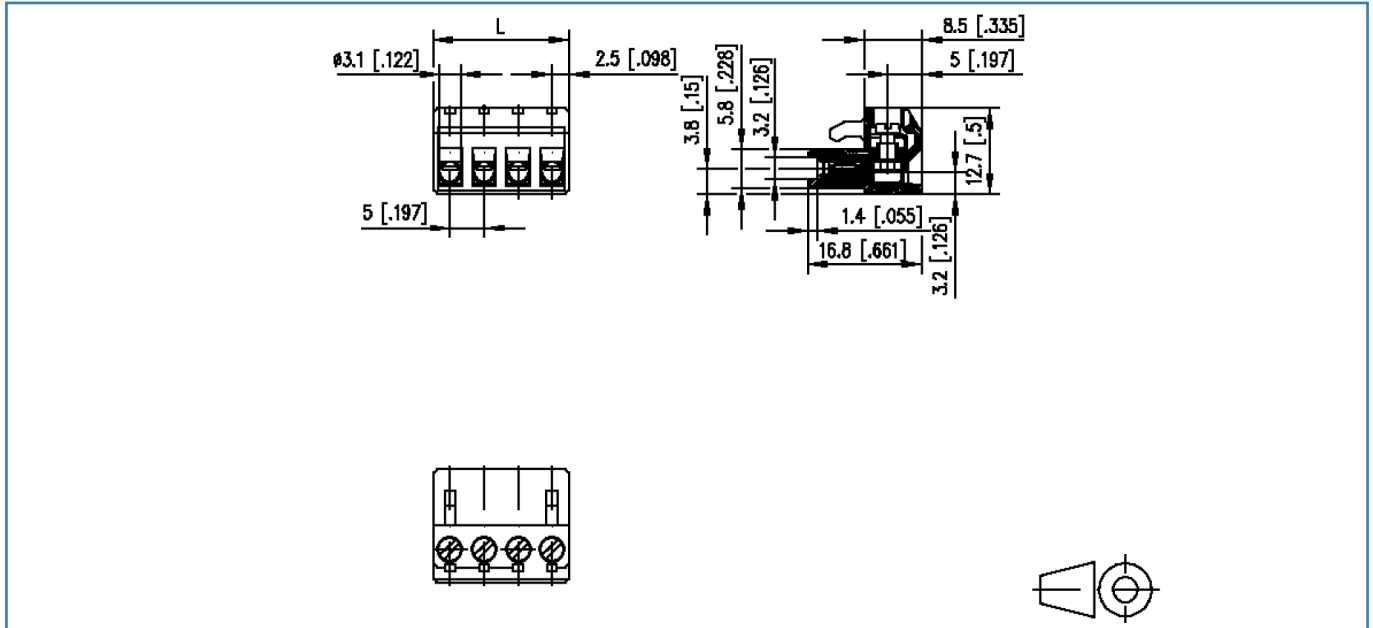
P/N	Designation
310191	PT045xxVBEC Typ 019
310201	PT045xxVBBN Typ 020
310291	PT045xxHBEC Typ 029
310301	PT045xxHBBN Typ 030
310311	PT045xxHBVC Typ 031
310321	PT045xxHBVN Typ 032
310341	PT045xxHBON Typ 034

© 2019 METZ CONNECT - Technische Änderungen vorbehalten! Subject to modifications! Sous réserve de modifications techniques!



Illustrations

Dimensional drawing



$L = (\text{pole size} - 1) \times \text{centerline} + 5 \text{ mm} [0.197]$