

Data sheet

RP015xxWBWC Typ 009

Page 1/6

P/N
310091xx

xx=number of poles

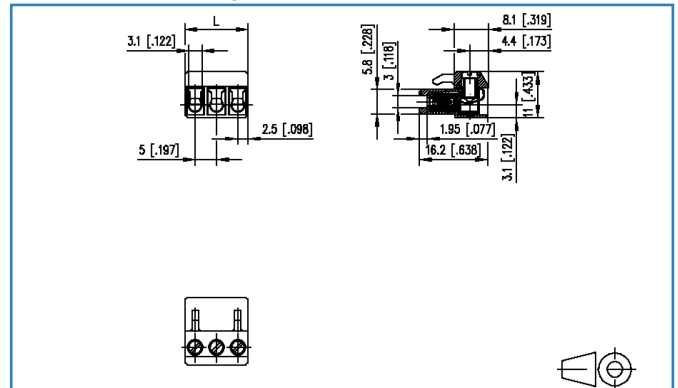
2019/10/23

Version: O

Illustrations



Dimensional drawing



See enlarged drawings at the end of document

Product specification


- screw type terminal block, pluggable
- centerline 5.00 mm, direction of connection vertical 0°
- wire protector, fittable without loss of poles
- color black
- wire entry uncodeable side parallel to plug direction, lamella


Technical Data

General Data			
Tightening torque SEV	0.5 Nm		
Tightening torque UL	7 lb-in		
min. number of poles	2		
max. number of poles	21		
Insulating material class	CTI 600		
clearance/creepage dist.	1.9 mm		
protection category	IP20		
Min. insul. strip length	6 mm		
Overvoltage category	III	III	II
Pollution degree	3	2	2
Rated voltage	100 V	320 V	320 V
Rated test voltage	2.5 kV	2.5 kV	2.5 kV

Connection Data	
rat.wiring solid AWGmax	0.33 mm ² - 2.5 mm ² / AWG 22 - AWG 12
rat.wiring strand.AWGmax	0.33 mm ² - 2.5 mm ² / AWG 22 - AWG 12

Approvals	
extended wiring UL	Wire range extended to No. 30 AWG for factory-wiring. Two same size wires No. 22-18 AWG Cu Sol/Str for field-wiring; No. 30-18 Cu Sol/Str factory-wiring.

 V / A / AWG	300 / 15 / 22 - 12
approval UL - File No.	E121004

 2.5 mm ²	150 V / 2.5 kV / 13.5 A
---	-------------------------

Material	
insulating material	PA66
flammability class	V0
contact material	CuBe
contact surface	Ni + Ag
terminal body material	CuZn
terminal body surface	Ni
screw surface	Zn Cr(VI)-frei/free
wire protector material	CuSn
wire protector surface	Sn
screw thread	M3

Technical Data

Glow-Wire Flammability GWFI	960 °C acc. to IEC 60695-2-12
Glow-Wire Flammability GWIT	775 °C acc. to IEC 60695-2-13
REACH - substance (SVHC)	Lead / 7439-92-1

Climatic Data

upper limit temperature	105 °C
lower limit temperature	-40 °C

General

Tolerance	ISO 2768 -mH
-----------	--------------



U | Contact

Data sheet RP015xxWBWC Typ 009

Page 4/6

P/N
310091xx

xx=number of poles

2019/10/23

Version: O

Accessories

P/N	Designation
716906	716906



Data sheet RP015xxWBWC Typ 009

Page 5/6

P/N
310091xx

xx=number of poles

2019/10/23

Version: O

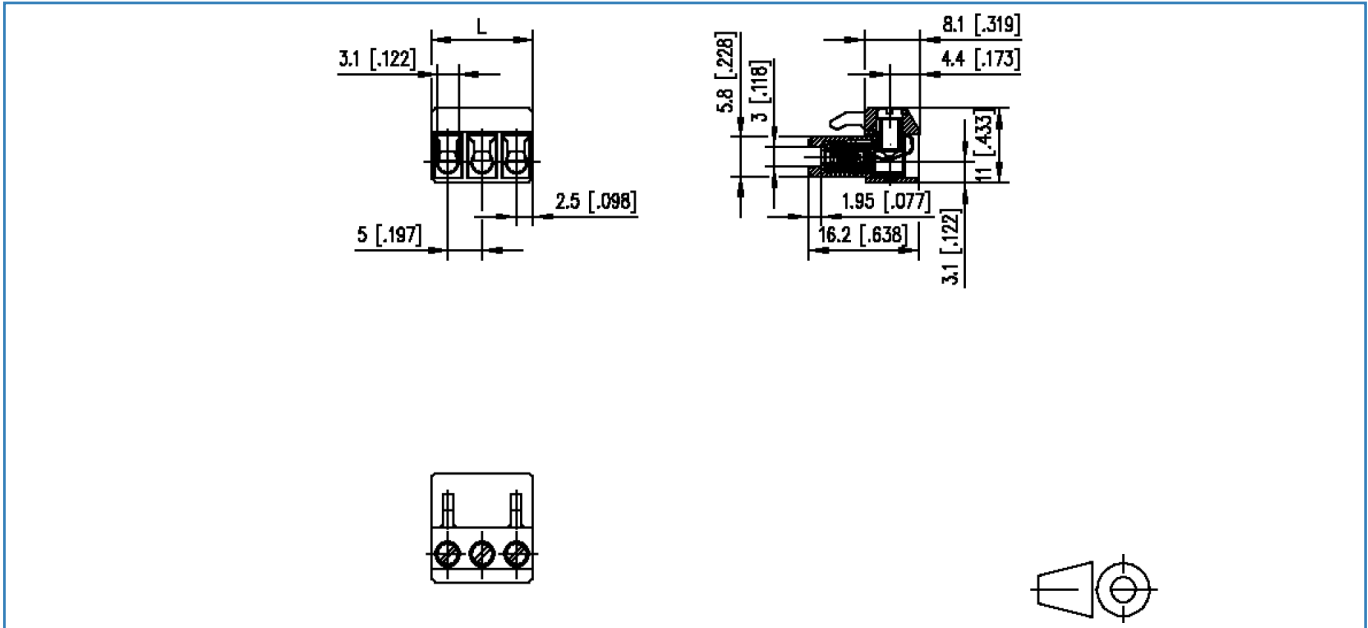
Counterpart

P/N	Designation
310191	PT045xxVBEC Typ 019
310201	PT045xxVBBN Typ 020
310291	PT045xxHBEC Typ 029
310301	PT045xxHBBN Typ 030
310311	PT045xxHBVC Typ 031
310321	PT045xxHBVN Typ 032
310331	PT045xxVBON Typ 033



Illustrations

Dimensional drawing



$L = (\text{pole size} - 1) \times \text{centerline} + 5 \text{ mm } [0.197]$

© 2019 METZ CONNECT - Technische Änderungen vorbehalten! Subject to modifications! Sous réserve de modifications techniques!