

Data sheet

360425 | Single terminal block M4 + Screw M4

Page 1/3

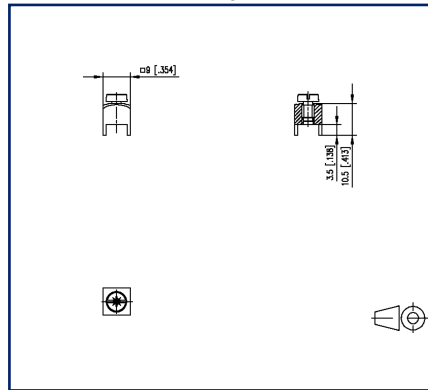
P/N
360425

2022/05/02
Version: AC

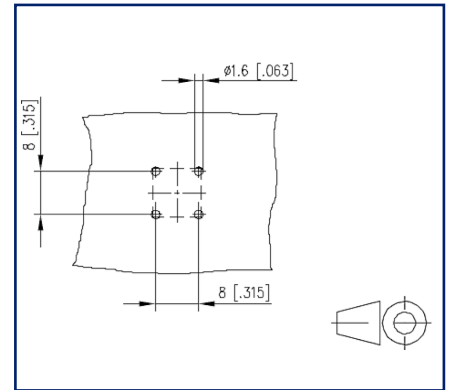
Illustrations



Dimensional drawing



Drill pattern



See enlarged drawings at the end of document

Product specification

- screw type terminal block, THR solderable
- direction of connection 90°
- color metallike

Technical Data

General Data

Tightening torque SEV	1.2 Nm
Tightening torque UL	10.6 lb-in
Solder pin length	3.5 mm
Protection category	IP00
Rated current	50 A

Material

terminal body thread	M4
terminal body material	CuZnPb
terminal body surface	Ni + Sn
screw thread	M4
screw material	8,8
screw surface	Zn Cr(VI)-frei/free
REACH	compliant
REACH - substance (SVHC)	Lead / 7439-92-1

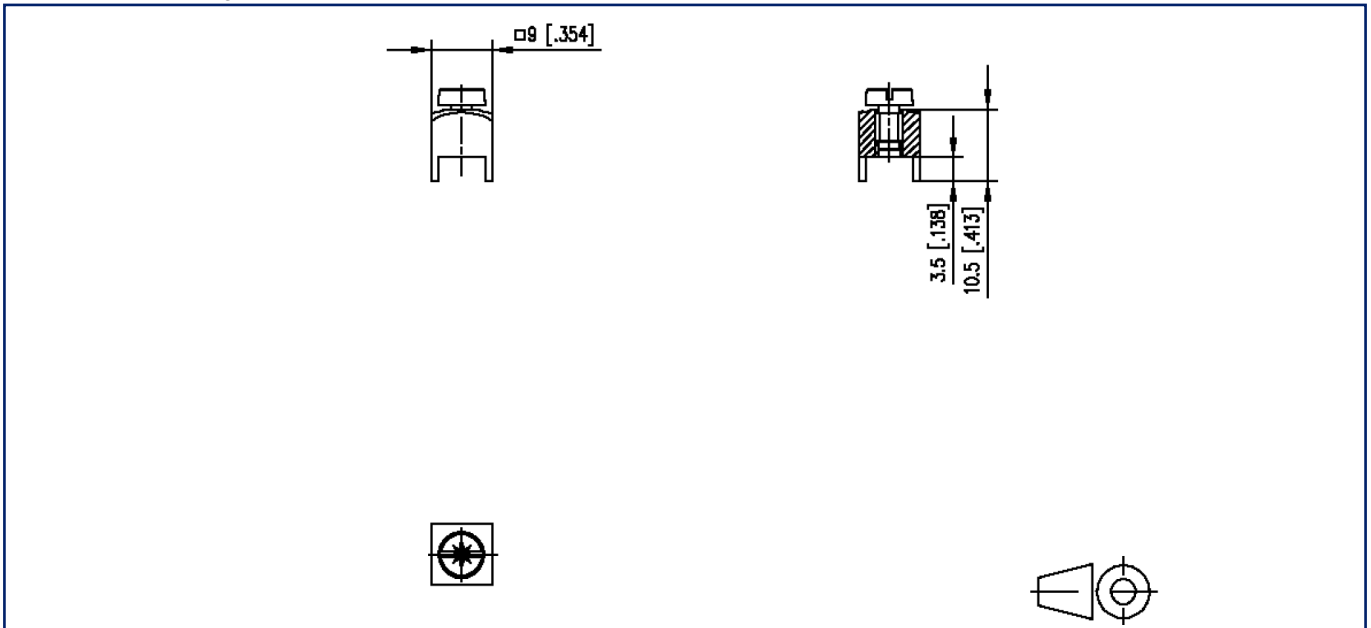
general

Tolerance	ISO 2768 -mH
Solderability	Acc. to IPC/JEDEC J-STD-020D-MSL 1



Illustrations

Dimensional drawing



Drill pattern

