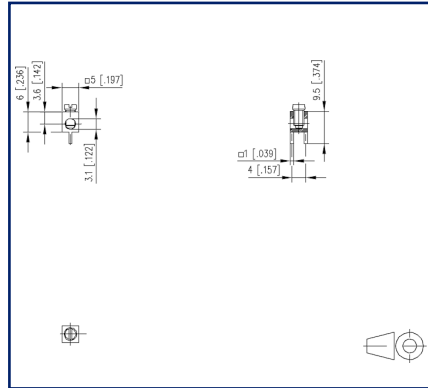


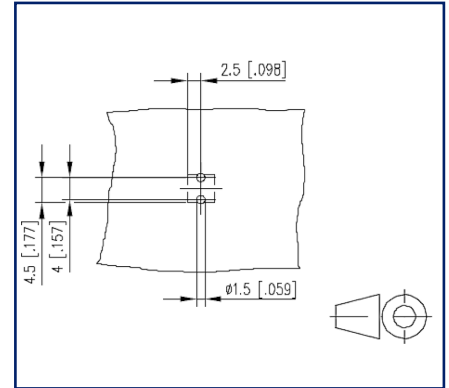
## Illustrations



Dimensional drawing



Drill pattern




See enlarged drawings at the end of document

## Product specification

- screw type terminal block, THR solderable, double solder pins
- direction of connection 90°
- color metallike
- Tape & Reel packaging
- open construction, screw brought down by hand (transport safety)



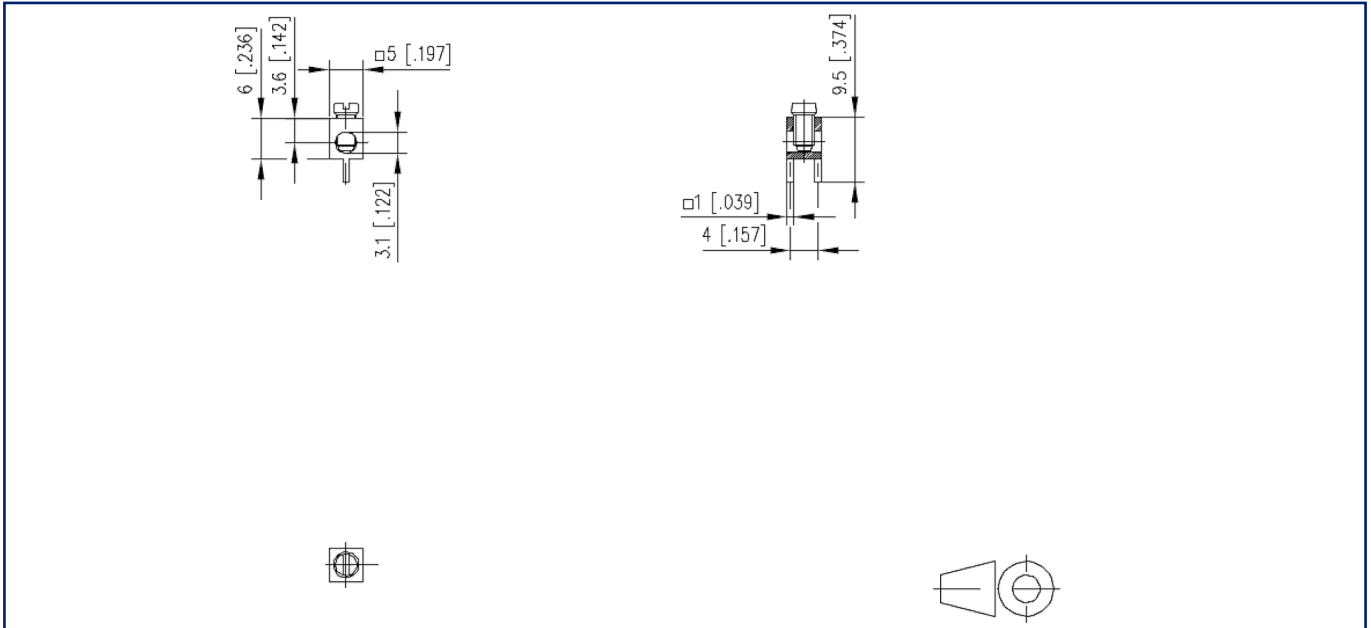
## Technical Data

General Data	
Tightening torque SEV	0.5 Nm
Tightening torque UL	4.4 lb-in
Solder pin length	3.5 mm
min. number of poles	1
max. number of poles	1
Protection category	IP00
Terminal data	
rat.wiring solid AWGmax	0.05 mm <sup>2</sup> - 2.5 mm <sup>2</sup> / AWG 30 - AWG 12
rat.wiring strand.AWGmax	0.05 mm <sup>2</sup> - 2.5 mm <sup>2</sup> / AWG 30 - AWG 12
Approvals	
 /	15 A / 30 - 12
approval UL - File No.	E130077
Material	
terminal body thread	M3
terminal body material	CuZnPb
terminal body surface	Ni + Sn
screw thread	M3
screw material	8,8
screw surface	Zn Cr(VI)-frei/free
REACH	compliant
REACH - substance (SVHC)	Lead / 7439-92-1
general	
Tolerance	ISO 2768 -mH
Solderability	Acc. to IPC/JEDEC J-STD-020D-MSL 1



**Illustrations**

Dimensional drawing



Drill pattern

