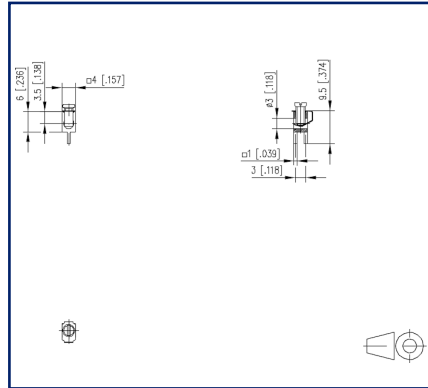


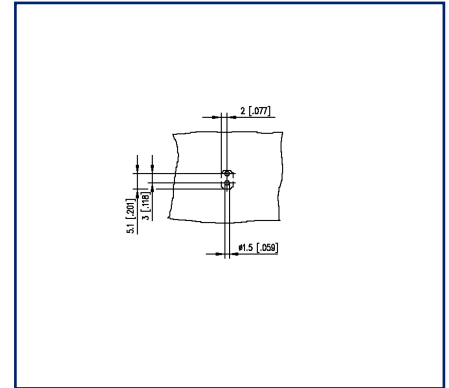
Illustrations



Dimensional drawing



Drill pattern




See enlarged drawings at the end of document

Product specification

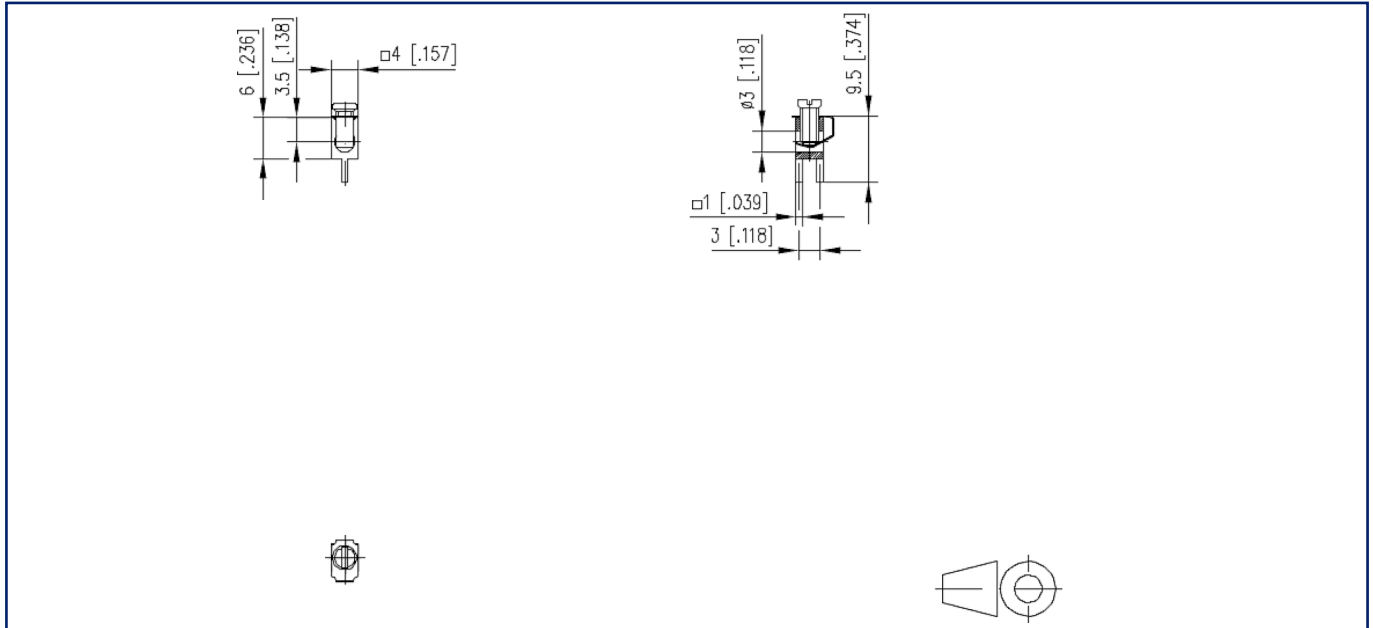
- screw type terminal block, solderable, double solder pins
- direction of connection 90°
- wire protector
- color metallike
- open construction, screw brought down by hand (transport safety)

Technical Data

General Data	
Tightening torque SEV	0.5 Nm
Tightening torque UL	4.4 lb-in
Solder pin length	3.5 mm
min. number of poles	1
max. number of poles	1
Terminal data	
rat.wiring solid AWGmax	0.13 mm ² - 2 mm ² / AWG 26 - AWG 14
rat.wiring strand.AWGmax	0.13 mm ² - 1.5 mm ² / AWG 26 - AWG 14
Approvals	
 /	15 A / 26 - 14
approval UL - File No.	E130077
Material	
terminal body thread	M2.6
terminal body material	CuZnPb
terminal body surface	Ni + Sn
screw thread	M2.6
screw material	4,8
screw surface	Zn Cr(VI)-frei/free
wire protector material	CuSn
wire protector surface	Sn
REACH	compliant
REACH - substance (SVHC)	Lead / 7439-92-1
general	
Tolerance	ISO 2768 -mH
Solderability	Acc. to JEDEC JESD22-B102E 245°C/5s

Illustrations

Dimensional drawing



Drill pattern

