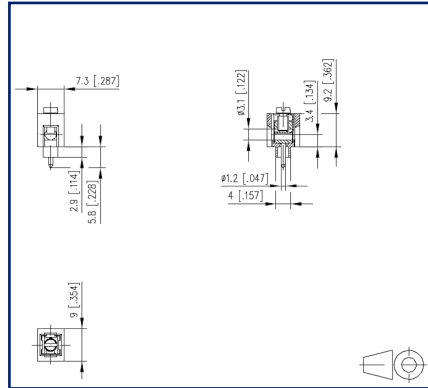


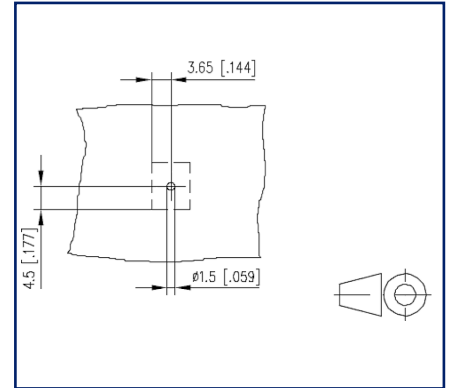
Illustrations



Dimensional drawing



Drill pattern




See enlarged drawings at the end of document

Product specification

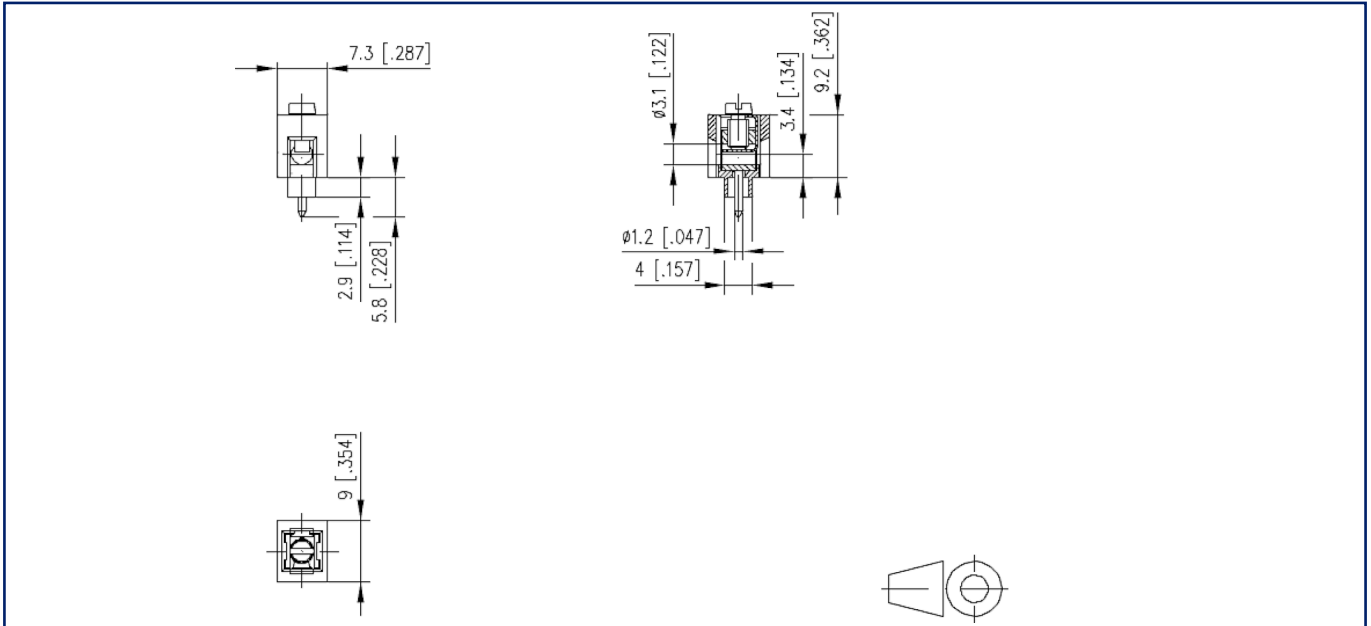
- screw type terminal block, solderable
- direction of connection 90°
- wire protector
- color black
- with molded housing, single solder pin, screw brought down by hand (transport safety)

Technical Data

| General Data | |
|--|--|
| Tightening torque SEV | 0.5 Nm |
| Tightening torque UL | 4.4 lb-in |
| Solder pin length | 2.9 mm |
| min. number of poles | 1 |
| max. number of poles | 1 |
| Insulating material class | CTI 600 |
| Terminal data | |
| rat.wiring solid AWGmax | 0.33 mm ² - 2 mm ² / AWG 22 - AWG 14 |
| rat.wiring strand.AWGmax | 0.33 mm ² - 1.5 mm ² / AWG 22 - AWG 14 |
| Approvals | |
|  V / A / AWG | 50 / 15 / 24 - 14 |
| approval UL - File No. | E121004 |
| Material | |
| terminal body thread | M3 |
| terminal body material | CuZnPb |
| terminal body surface | Ni + Sn |
| screw thread | M3 |
| screw material | 8,8 |
| screw surface | Zn Cr(VI)-frei/free |
| wire protector material | CuNi18 |
| REACH | compliant |
| REACH - substance (SVHC) | Lead / 7439-92-1 |
| Climatic Data | |
| upper limit temperature | 105 °C |
| lower limit temperature | -40 °C |
| general | |
| Tolerance | ISO 2768 -mH |
| Solderability | Acc. to JEDEC JESD22-B102E 245°C/5s |

Illustrations

Dimensional drawing



Drill pattern

