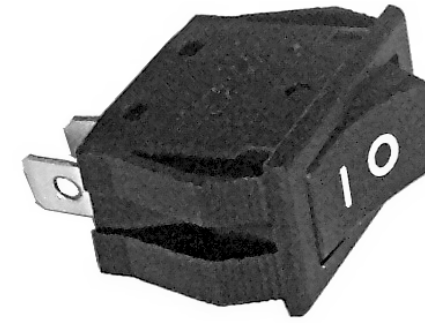


# WRSP Series Weatherproof Single-pole Rocker Switches



## Approvals

UL recognized. CSA and VDE approvals pending.  
 Load rating: 20A 125/250 VAC. 3/4 HP, 125/250 VAC. 14A 14VDC. Contacts: fine silver for long life dependability.  
 Dielectric strength: 1250 volts (live parts to ground).  
 Life: 35,000 operations at maximum rating.  
 Insulation resistance: 5 megohms.

## Water & Dust Resistance

Designed to meet IP-64.

## High Inrush

125 Amp inrush capability (AgNi contacts).

## Low Level Control

For low level/dry circuit applications (<100 am) contact factory for part number.

## Terminals

Style A - 1/4-inch quick-connect

## Mechanical Features

100,000 mechanical operations

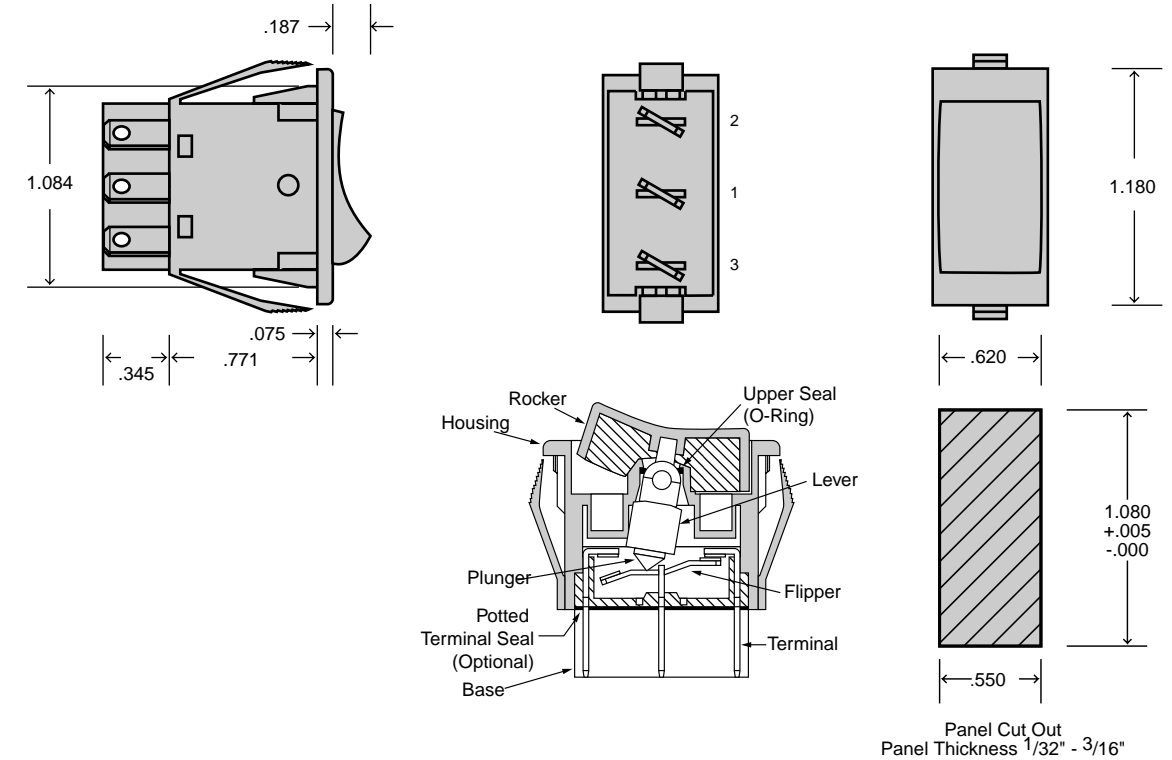
## Markings

Letters, numbers and symbols can be applied to rocker actuator or to integral nylon bezel; see inside back cover for details.

## Mounting

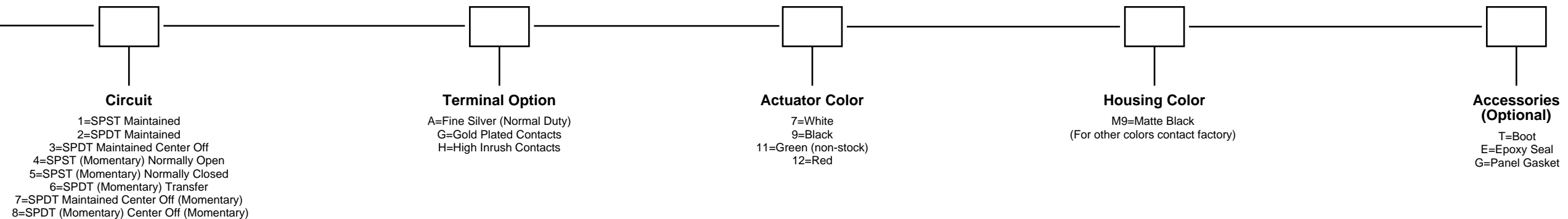
Snap-in type panel mounting for ease of installation without additional mounting hardware.

Circuit	Switching	
1	SPST Maintained	
2	SPDT Maintained	
3	SPDT Maintained Center Off	
4	SPST (Momentary) Normally Open	
5	SPDT (Momentary) Normally Closed	
6	SPDT (Momentary) Transfer	
7	SPDT Maintained Center Off (Momentary)	
8	SPDT (Momentary) Center Off (Momentary)	



## Ordering Information:

# WRSP



Phone (203) 272-2794 ● Fax (203) 272-3492 ● <http://www.osloswitch.com>

MADE IN U.S.A.



Phone (203) 272-2794 ● Fax (203) 272-3492 ● <http://www.osloswitch.com>

MADE IN U.S.A.