

# Plateau Head Indicator M3U

## Easy connector enables less assembly and less wiring

- 50 mm body length
- Possible cross over wiring on circuit construction.
- One-push connection of Operation Unit and Switch Unit.
- Same size of Indicators as the A3U.



## Model Number Structure

Model Number Legend....For information on combinations, refer to Ordering Information.

**M3U-T** (1) (2) - (3) **C-** (4)

### (1) Flange Color

Symbol	Color
B	Black
M	Metallic

### (2) Indicator Color

Symbol	Color	Cap type and color
W	White	Transparent Cap/White
R	Red	Transparent Cap/Red
Y	Yellow	Transparent Cap/Yellow
G	Green	Transparent Cap/Green
U	Umber	Transparent Cap/White
A	Blue	Transparent Cap/Blue

### (3) LED Rating

Symbol	Voltage
1	5 VDC
2	12 VDC
3	24 VDC

### (4) Degree of Protection

Symbol	Protection
None	IP40
5	IP65 (Oil-proof type)

## Ordering Information

### Plateau Head Indicators

Degree of Protection: IP40

Flange Color: Black

Type	LED voltage	Model	<input type="checkbox"/> Pushbutton color symbol
Plateau Head Indicator	5 VDC	M3U-TB□-1C	W, A
	12 VDC	M3U-TB□-2C	
	24 VDC	M3U-TB□-3C	
	5 VDC	M3U-TB□-1C	G, U
	12 VDC	M3U-TB□-2C	
	24 VDC	M3U-TB□-3C	
	5 VDC	M3U-TB□-1C	R, Y
	12 VDC	M3U-TB□-2C	
	24 VDC	M3U-TB□-3C	

Flange Color: Metallic

Type	LED voltage	Model	<input type="checkbox"/> Pushbutton color symbol
Plateau Head Indicator	5 VDC	M3U-TM□-1C	W, A
	12 VDC	M3U-TM□-2C	
	24 VDC	M3U-TM□-3C	
	5 VDC	M3U-TM□-1C	G, U
	12 VDC	M3U-TM□-2C	
	24 VDC	M3U-TM□-3C	
	5 VDC	M3U-TM□-1C	R, Y
	12 VDC	M3U-TM□-2C	
	24 VDC	M3U-TM□-3C	

Degree of Protection: IP65 (Oil-proof Type)

Flange Color: Black

Type	LED voltage	Model	<input type="checkbox"/> Pushbutton color symbol
Plateau Head Indicator	5 VDC	M3U-TB□-1C-5	W, A
	12 VDC	M3U-TB□-2C-5	
	24 VDC	M3U-TB□-3C-5	
	5 VDC	M3U-TB□-1C-5	G, U
	12 VDC	M3U-TB□-2C-5	
	24 VDC	M3U-TB□-3C-5	
	5 VDC	M3U-TB□-1C-5	R, Y
	12 VDC	M3U-TB□-2C-5	
	24 VDC	M3U-TB□-3C-5	

Flange Color : Metallic

Type	LED voltage	Model	<input type="checkbox"/> Pushbutton color symbol
Plateau Head Indicator	5 VDC	M3U-TM□-1C-5	W, A
	12 VDC	M3U-TM□-2C-5	
	24 VDC	M3U-TM□-3C-5	
	5 VDC	M3U-TM□-1C-5	G, U
	12 VDC	M3U-TM□-2C-5	
	24 VDC	M3U-TM□-3C-5	
	5 VDC	M3U-TM□-1C-5	R, Y
	12 VDC	M3U-TM□-2C-5	
	24 VDC	M3U-TM□-3C-5	

## Accessories and Tools (Sold Separately)

The accessories and tools are the same as those for the A3U. Refer to the A3U datasheet.

# M3U

## Specifications

### Approved Standard Ratings

<b>Certification Authority</b>	UL (See Note: 1 and Note: 2)	CSA (See Note: 1 and Note: 2)	TÜV (See Note: 3)
<b>Certification no.</b>	UL508 CSA C22.2 No.14	CSA C22.2 No. 14	EN60947-5-1
<b>Rating</b>	5, 12, or 24 VDC 15 mA		
<b>File no.</b>	E41515	2650068	J50236157

**Note: 1.** Only Switch Blocks are recognized by UL/CSA. (Surrounding air Temperature: 55 °C)

**Note: 2.** Please use the power supply specified in UL/CSA class 2.

**Note: 3.** Use 4A 250V as short-circuit protective device when using under EN-compliant rating standard (IEC60127-2 SS1).

## Ratings

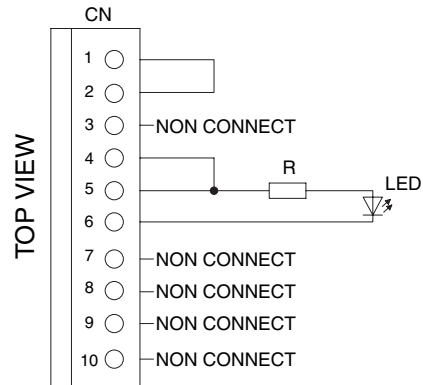
### Super-bright LED

Rated voltage	Rated current	Operating voltage
5 VDC	15 mA	5 VDC ± 5 %
12 VDC		12 VDC ± 5 %
24 VDC		24 VDC ± 5 %

## Characteristics

Item		Indicator
<b>Vibration resistance</b>	<b>Malfunction</b>	10 to 55 Hz, 1.5-mm double amplitude (malfunction within 1 ms)
<b>Shock resistance</b>	<b>Malfunction</b>	300 m/s <sup>2</sup> max. (malfunction within 1 ms)
<b>Connector holding force</b>		40 N max.
<b>Weight</b>		Approx. 30 g
<b>Degree of protection</b>		IP40, IP65 (Oil-proof type)
<b>Ambient operating temperature</b>		-20 °C to 55 °C (with no icing or condensation)
<b>Ambient operating humidity</b>		35 % to 85 % RH
<b>Ambient storage temperature</b>		-40 °C to 70 °C (with no icing or condensation)
<b>Ambient storage humidity</b>		35 % to 85 % RH

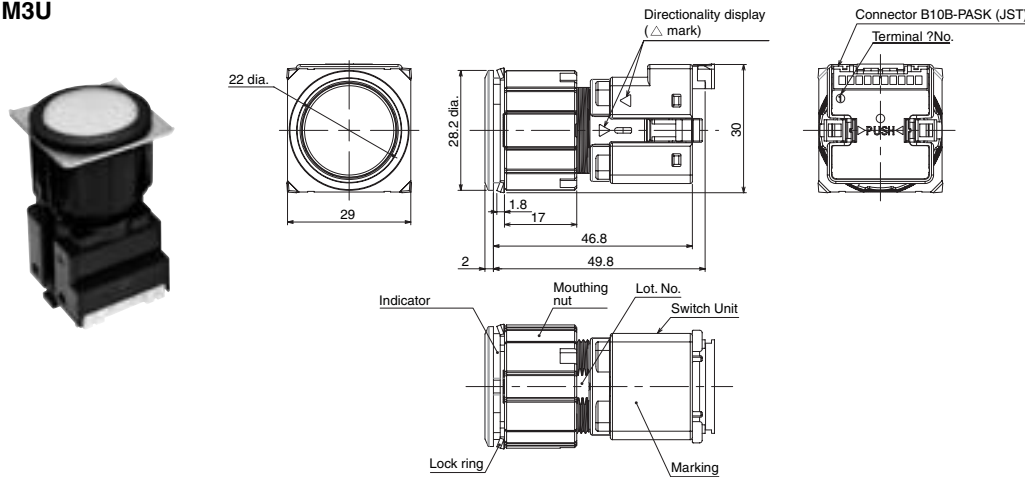
## Circuit Diagram



## Dimensions

(unit: mm)

### M3U



## Safety Precautions

Refer to Safety Precautions for All Pushbutton Switches/Indicators.

Read the *Safety Precautions* in the A3U datasheet.

For technical information and FAQs, refer to Technical Support on the OMRON Industrial Automation website (<http://www.ia.omron.com>).

# Terms and Conditions Agreement

## Read and understand this catalog.

Please read and understand this catalog before purchasing the products. Please consult your OMRON representative if you have any questions or comments.

## Warranties.

(a) Exclusive Warranty. Omron's exclusive warranty is that the Products will be free from defects in materials and workmanship for a period of twelve months from the date of sale by Omron (or such other period expressed in writing by Omron). Omron disclaims all other warranties, express or implied.

(b) Limitations. OMRON MAKES NO WARRANTY OR REPRESENTATION, EXPRESS OR IMPLIED, ABOUT NON-INFRINGEMENT, MERCHANTABILITY OR FITNESS FOR A PARTICULAR PURPOSE OF THE PRODUCTS. BUYER ACKNOWLEDGES THAT IT ALONE HAS DETERMINED THAT THE PRODUCTS WILL SUITABLY MEET THE REQUIREMENTS OF THEIR INTENDED USE.

Omron further disclaims all warranties and responsibility of any type for claims or expenses based on infringement by the Products or otherwise of any intellectual property right. (c) Buyer Remedy. Omron's sole obligation hereunder shall be, at Omron's election, to (i) replace (in the form originally shipped with Buyer responsible for labor charges for removal or replacement thereof) the non-complying Product, (ii) repair the non-complying Product, or (iii) repay or credit Buyer an amount equal to the purchase price of the non-complying Product; provided that in no event shall Omron be responsible for warranty, repair, indemnity or any other claims or expenses regarding the Products unless Omron's analysis confirms that the Products were properly handled, stored, installed and maintained and not subject to contamination, abuse, misuse or inappropriate modification. Return of any Products by Buyer must be approved in writing by Omron before shipment. Omron Companies shall not be liable for the suitability or unsuitability or the results from the use of Products in combination with any electrical or electronic components, circuits, system assemblies or any other materials or substances or environments. Any advice, recommendations or information given orally or in writing, are not to be construed as an amendment or addition to the above warranty.

See <http://www.omron.com/global/> or contact your Omron representative for published information.

## Limitation on Liability; Etc.

OMRON COMPANIES SHALL NOT BE LIABLE FOR SPECIAL, INDIRECT, INCIDENTAL, OR CONSEQUENTIAL DAMAGES, LOSS OF PROFITS OR PRODUCTION OR COMMERCIAL LOSS IN ANY WAY CONNECTED WITH THE PRODUCTS, WHETHER SUCH CLAIM IS BASED IN CONTRACT, WARRANTY, NEGLIGENCE OR STRICT LIABILITY.

Further, in no event shall liability of Omron Companies exceed the individual price of the Product on which liability is asserted.

## Suitability of Use.

Omron Companies shall not be responsible for conformity with any standards, codes or regulations which apply to the combination of the Product in the Buyer's application or use of the Product. At Buyer's request, Omron will provide applicable third party certification documents identifying ratings and limitations of use which apply to the Product. This information by itself is not sufficient for a complete determination of the suitability of the Product in combination with the end product, machine, system, or other application or use. Buyer shall be solely responsible for determining appropriateness of the particular Product with respect to Buyer's application, product or system. Buyer shall take application responsibility in all cases.

NEVER USE THE PRODUCT FOR AN APPLICATION INVOLVING SERIOUS RISK TO LIFE OR PROPERTY OR IN LARGE QUANTITIES WITHOUT ENSURING THAT THE SYSTEM AS A WHOLE HAS BEEN DESIGNED TO ADDRESS THE RISKS, AND THAT THE OMRON PRODUCT(S) IS PROPERLY RATED AND INSTALLED FOR THE INTENDED USE WITHIN THE OVERALL EQUIPMENT OR SYSTEM.

## Programmable Products.

Omron Companies shall not be responsible for the user's programming of a programmable Product, or any consequence thereof.

## Performance Data.

Data presented in Omron Company websites, catalogs and other materials is provided as a guide for the user in determining suitability and does not constitute a warranty. It may represent the result of Omron's test conditions, and the user must correlate it to actual application requirements. Actual performance is subject to the Omron's Warranty and Limitations of Liability.

## Change in Specifications.

Product specifications and accessories may be changed at any time based on improvements and other reasons. It is our practice to change part numbers when published ratings or features are changed, or when significant construction changes are made. However, some specifications of the Product may be changed without any notice. When in doubt, special part numbers may be assigned to fix or establish key specifications for your application. Please consult with your Omron's representative at any time to confirm actual specifications of purchased Product.

## Errors and Omissions.

Information presented by Omron Companies has been checked and is believed to be accurate; however, no responsibility is assumed for clerical, typographical or proofreading errors or omissions.

**OMRON Corporation Industrial Automation Company**

Tokyo, JAPAN

Contact: [www.ia.omron.com](http://www.ia.omron.com)

**Regional Headquarters**

**OMRON EUROPE B.V.**

Wegalaan 67-69, 2132 JD Hoofddorp  
The Netherlands  
Tel: (31)2356-81-300/Fax: (31)2356-81-388

**OMRON ELECTRONICS LLC**

2895 Greenspoint Parkway, Suite 200  
Hoffman Estates, IL 60169 U.S.A  
Tel: (1) 847-843-7900/Fax: (1) 847-843-7787

**OMRON ASIA PACIFIC PTE. LTD.**

No. 438A Alexandra Road # 05-05/08 (Lobby 2),  
Alexandra Technopark,  
Singapore 119967  
Tel: (65) 6835-3011/Fax: (65) 6835-2711

**OMRON (CHINA) CO., LTD.**

Room 2211, Bank of China Tower,  
200 Yin Cheng Zhong Road,  
PuDong New Area, Shanghai, 200120, China  
Tel: (86) 21-5037-2222/Fax: (86) 21-5037-2200

**Authorized Distributor:**

© OMRON Corporation 2015 All Rights Reserved.  
In the interest of product improvement,  
specifications are subject to change without notice.

CSM\_1\_1\_0115  
Cat. No. **A238-E1-01**

Printed in Japan  
0115 (0115)