

NUCLEAR QUALIFIED

- Double Pole Double Throw (DPDT)
- Cam Type SNAP-LOCK Technology
- Qualified to IEEE Standards 344-1975, 323-1974 and 382-1972
- Manufactured to a quality assurance program designed to meet the requirements of 10CFR50, Appendix B and ANSI N45.2, as applicable
- Diecast bronze housing for corrosion resistance
- Stainless steel top cover and fasteners
- Gold plated contacts to minimize resistance and ensure years of reliable service
- High temperature components and lubricants
- Seismic and vibration resistant
- Resists chemical spray
- Available in three mount styles (Standard, Long, Wide)



Technical Data

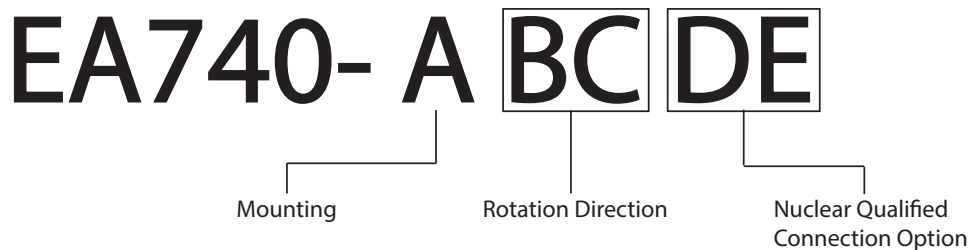
- Two normally open and two normally closed, NEMA form "Z" contact arrangement
- Enclosure meets NEMA 1, 4 and 13 requirements for dust-tight, water-tight and oil-tight applications
- Operating lever is adjustable in 7°30' increments through 360°
- Adequate wiring space for nine conductors
- Operating Temperature: 21° to 90°C; Short term exposure to 175°C
- Pre-Travel: 18°; Maximum Travel: 90°
- Weight: 4.3lbs.; 5.3lbs with receptacle
- DBE Maximum Test Parameters
 - Temperature: 340°F
 - Pressure: 70 PSIG
 - Radiation: 204 megarads gamma

Continuous Current Rating

120 VAC	20 AMPS*
250 VAC	15 AMPS*
480 VAC	10 AMPS*
600 VAC	5 AMPS*
125 VDC	5 AMPS
250 VDC	1.5 AMPS

*75-100% Power Factor

Ordering Information



A: Mounting

BC: Rotation Direction

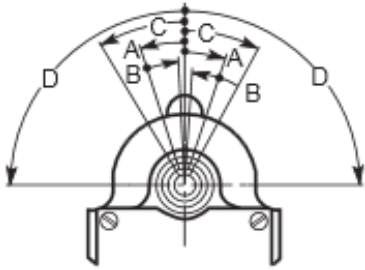
DE: Nuclear Qualified Connection Option

- 2 - Standard Mount
- 5 - Wide Mount
- 8 - Long Mount

- 00 - Clockwise or Counterclockwise
- 01 - Clockwise and Counterclockwise
- 60 - Maintained Contact & Lever Position
- 67 - Maintained Contact, Lever Returned

- 00 - Open Conduit Entrance Clockwise or Maintained
- 01 - Open Conduit Entrance for Counterclockwise
- 40 - 9-Pin QDC Clockwise or Maintained
- 41 - 9-Pin QDC for Counterclockwise
- 50 - 4-Pin QDC 1NO/1NC Clockwise or Maintained
- 51 - 4-Pin QDC 1NO/1NC Counterclockwise
- 52 - 4-Pin QDC 2NO Clockwise or Maintained
- 53 - 4-Pin QDC 2NO Counterclockwise
- 54 - 4-Pin QDC 2NC Clockwise or Maintained
- 55 - 4-Pin QDC 2NC for Counterclockwise

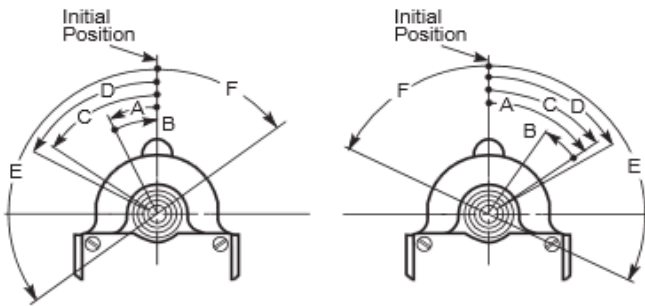
Standard Contacts



- A. Trip Travel18°
- B. Reset Travel14°
- C. Recommended Travel30°
- D. Total Travel.....90°
- E. Torque to Trip (Inch Lbs.)27

For CW Switch				For CCW Switch				For CW & CCW Switch			
CW	Initial	G	CCW	CW	Initial	G	CCW	CW	Initial	G	CCW
●	●	●	●	●	●	●	●	●	●	●	●
●	H	●	●	●	H	●	●	●	H	●	●
●	F	●	●	●	F	●	●	●	F	●	●
●	●	●	●	●	●	●	●	●	●	●	●
●	D	●	●	●	D	●	●	●	D	●	●
●	●	●	●	●	●	●	●	●	●	●	●
●	B	●	●	●	B	●	●	●	B	●	●
●	●	●	●	●	●	●	●	●	●	●	●
●	●	●	●	●	●	●	●	●	●	●	●

Maintained Contacts & Lever Position

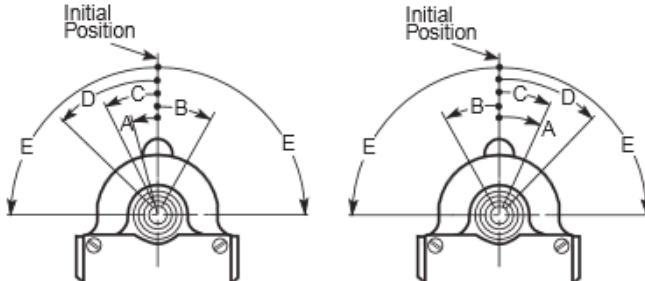


- A. Trip Travel 25° 55°
- B. Reset Travel 25° 22°
- C. Min. Travel to Maintain..... 54° 55°
- D. Recommended Travel 60° 60°
- E. Total Travel..... 124° 116°
- F. Overall Travel..... 56° 64°
- G. Torque to Trip (Inch Lbs.).... 12 6

For CW Switch				For CCW Switch			
CW	Initial	G	CCW	CW	Initial	G	CCW
●	●	●	●	●	●	●	●
●	H	●	●	●	H	●	●
●	F	●	●	●	F	●	●
●	●	●	●	●	●	●	●
●	D	●	●	●	D	●	●
●	●	●	●	●	●	●	●
●	B	●	●	●	B	●	●
●	●	●	●	●	●	●	●
●	●	●	●	●	●	●	●

To change switch orientation from Cam position (left view) to Cam position (right view), separate switch then angle C. Remove lever and reset at initial position.

Maintained Contacts - Lever Returned



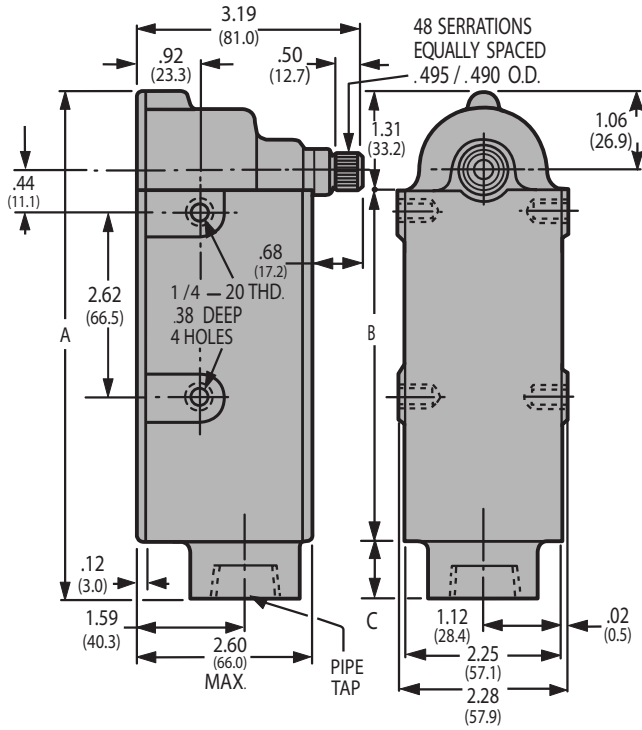
- A. Trip Travel 16° 30°
- B. Reset Travel 30° 26°
- C. Min. Travel to Maintain..... 26° 30°
- D. Recommended Travel 45° 45°
- E. Total Travel..... 90° 90°
- F. Torque to Trip (Inch Lbs.).... 16.5 15

For CW Switch				For CCW Switch			
CW	Initial	G	CCW	CW	Initial	G	CCW
●	●	●	●	●	●	●	●
●	H	●	●	●	H	●	●
●	F	●	●	●	F	●	●
●	●	●	●	●	●	●	●
●	D	●	●	●	D	●	●
●	●	●	●	●	●	●	●
●	B	●	●	●	B	●	●
●	●	●	●	●	●	●	●
●	●	●	●	●	●	●	●

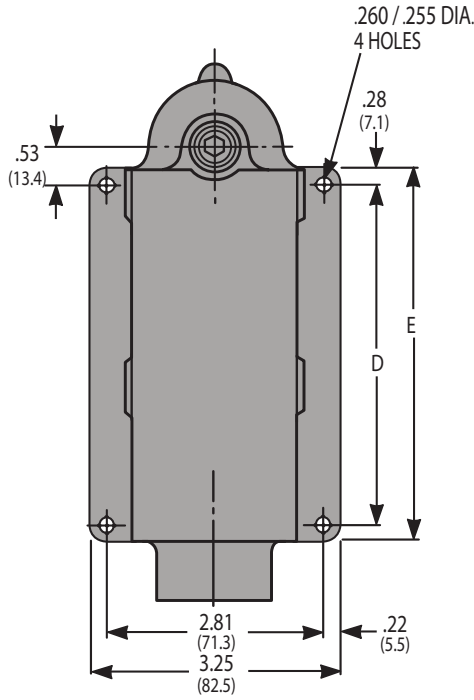
To change switch orientation from Cam position (left view) to Cam position (right view), separate switch then angle B. Remove lever and reset at initial position.

Outline Drawings

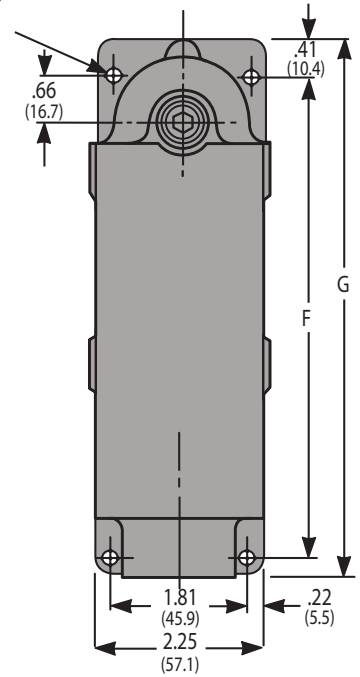
Standard Mounting



Wide Mounting



Long Mounting



CONTACT SEQUENCE	STANDARD SWITCH				MOUNTING STYLE			
	PIPE TAP SIZE	A	B	C	WIDE		LONG	
					D	E	F	G
2 N.O. - 2 N.C.	1-11 1/2 NPT	7.06	4.94	0.81	4.38	4.94	6.41	7.06

Quick Disconnect Mounting

