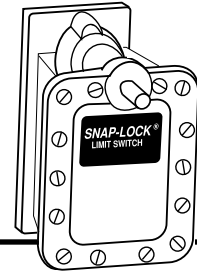


Single Pole
Severe Environment

Limit Switches

Butt
Contacts



Limit Switches

Severe Environment Limit Switches are available on the three standard series of Snap-Lock switches. Regularly furnished with wide or long mounting.

EA990 Single Pole 1 N.O. - 1 N.C. / Standard / Butt Contacts

Standard Mounting Model No.	Wide Mounting Model No.	Long Mounting Model No.	Dir. Of Operation	Angle A Trip Travel	Angle B Reset Travel	Angle C Recom. Travel	Angle D Total Travel	Angle E Min. Travel to Maintain	Angle F Overall Travel	Torque (inch lbs)	Contact Config.
STANDARD TRAVEL/ ROCKER TYPE											
CW											
—	EA990-00125	EA990-00115	CW	10°	8°	13°	38°	-	-	14	A
CW / REVERSE SHAFT											
—	EA990-00535	—	CW	10°	8°	13°	38°	-	-	14	A
CCW											
—	EA990-20055	EA990-20035	CCW	10°	8°	13°	38°	-	-	14	B
MAINTAINED CONTACT AND LEVER POSITION											
—	EA990-30025	EA990-30045	Maintain	10°	8°	13°	38°	-	-	5	-

Common Switch Characteristics

SINGLE POLE, SEVERE ENVIRONMENT, BUTT CONTACTS	
Housing Material	Zinc
Ambient Temperature Range	-20°C to +90°C
Shipping Weight	3.7 lbs. approx.
Lever Adjustment	7°30' Increments Thru 360°
Contacts	Butt, Silver Alloy, Form Z

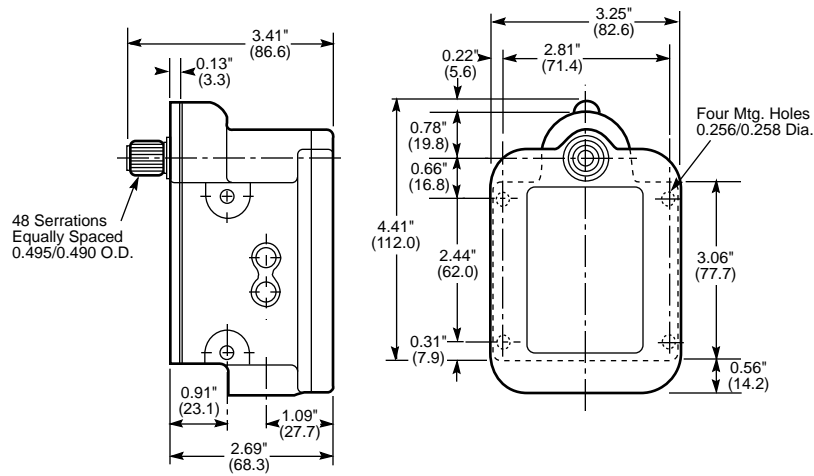
Continuous Current Rating - Amperes

VOLTAGE	AC	DC
125	20.0	5.0
250	15.0	1.5
480	10.0	-
600	5.0	-

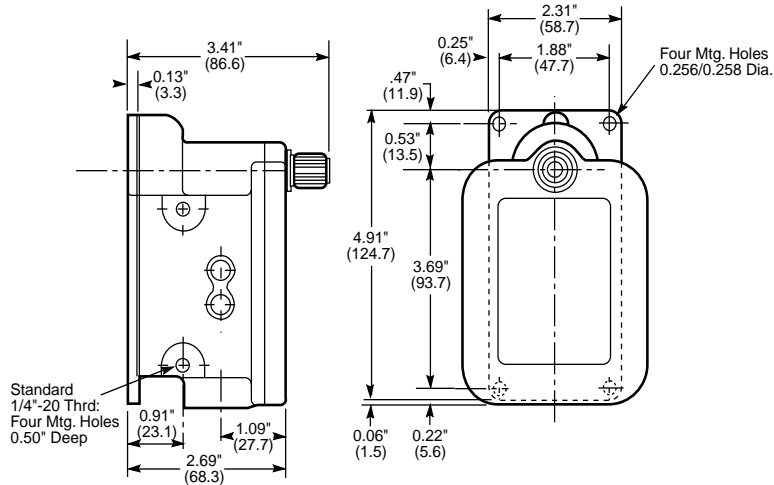
75-100% Power Factor

See Operating Levers Section

WIDE MOUNTING PLATE



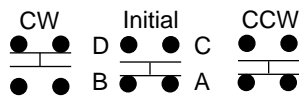
LONG MOUNTING PLATE



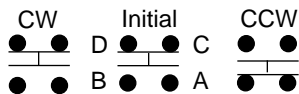
Dimensions: inches/(mm)

Contact Configurations

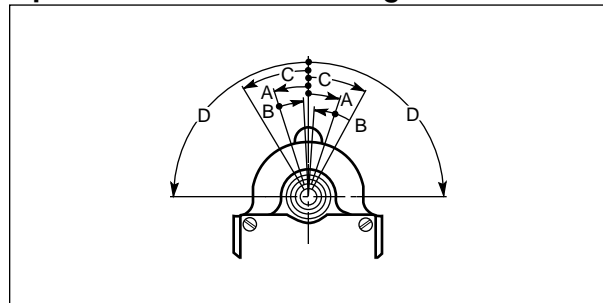
CIRCUIT A



CIRCUIT B



Operational Data Drawings



NAMCO

Namco Controls Corporation
 Mayfield Village, OH 44143
 (440) 460-1360 • FAX (440) 460-3800 • namcocontrols.com

For technical assistance, call 1-800-NAMTECH