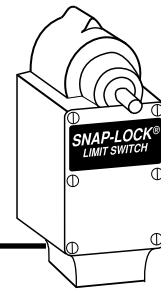


Single Pole  
Standard Environment

# Limit Switches

Sliding  
Contacts



Limit Switches

The versatility of the Snap-Lock mechanism is gained through the use of a series of uniquely designed cams. The cam and cam mechanism allow features such as bi-directional operation and generous overtravel. These features make the EA710 Series one of the most popular. Can be furnished with Standard, Wide or Long mounting.

## EA710 Single Pole 1 N.O. - 1 N.C. / Sliding Contacts / Cam Action

Standard Mounting Model No.	Wide Mounting Model No.	Long Mounting Model No.	Dir. Of Operation	Angle A Trip Travel	Angle B Reset Travel	Angle C Recom. Travel	Angle D Total Travel	Angle E Min. Travel to Maintain	Angle F Overall Travel	Torque (inch lbs)	Contact Config.	Data Drawing
<b>STANDARD TRAVEL</b>												
EA710-10000	EA710-40000	EA710-70000	CW	18°	14°	30°	90°	-	-	15	A	1
EA710-10001	EA710-40001	EA710-70001	CCW	18°	14°	30°	90°	-	-	15	B	1
EA710-10100	EA710-40100	EA710-70100	CW/CCW	18°	14°	30°	90°	-	-	15	C	1
<b>MAINTAINED CONTACTS AND LEVER POSITION</b>												
EA710-16000	EA710-46000	EA710-76000	CW	55°	22°	60°	116°	55°	64°	6	D	2
			CCW	25°	25°	60°	124°	54°	56°	9		

## Common Switch Characteristics

SINGLE POLE, STANDARD ENVIRONMENT, SLIDING CONTACTS	
NEMA Enclosure Type	1, 4, 13
Housing Material	Zinc
Ambient Temperature Range*	-20°C to +90°C
Shipping Weight	3 lbs. approx.
Lever Adjustment	7°30' Increments Thru 360°
Contacts	Sliding, Silver Alloy, Form Z

## Continuous Current Rating - Amperes

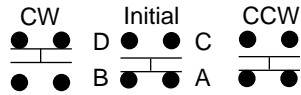
VOLTAGE	AC	DC
125	10.0	2.5
250	7.5	.75
480	5.0	-
600	2.5	-

75-100% Power Factor

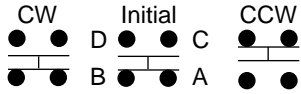
See Operating Levers Section

# Contact Configurations

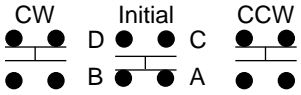
## CIRCUIT A



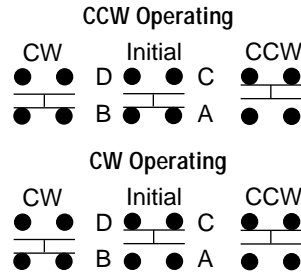
## CIRCUIT B



## CIRCUIT C

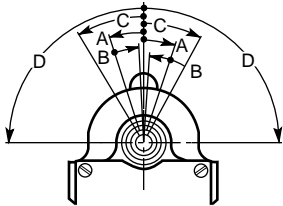


## CIRCUIT D

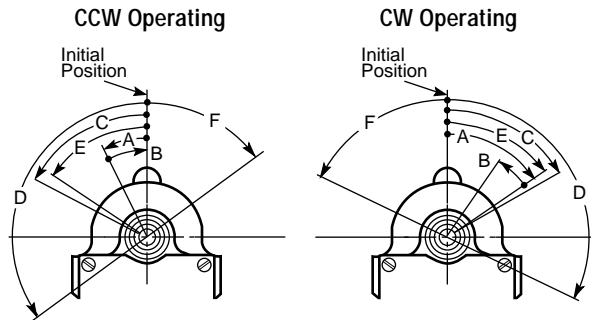


# Operational Data Drawings

## DRAWING #1



## DRAWING #2

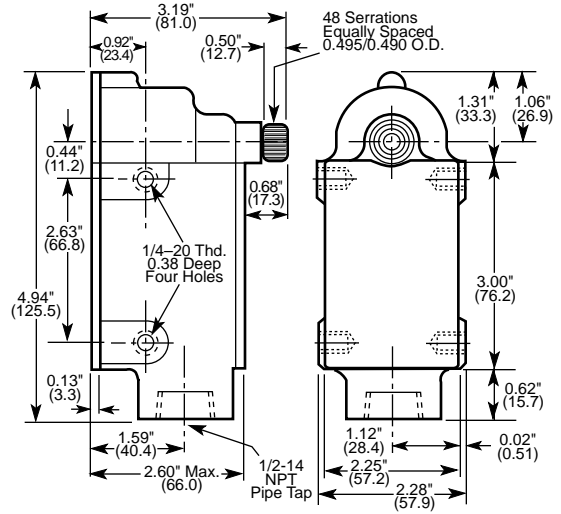


To change switch operation from CW operating to CCW operating, operate switch through angle E. Remove lever and reset at initial position.

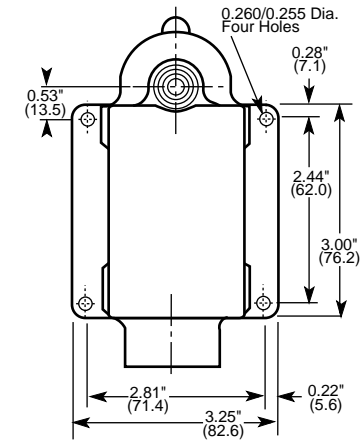
# Dimensions and Mounting

# EA710

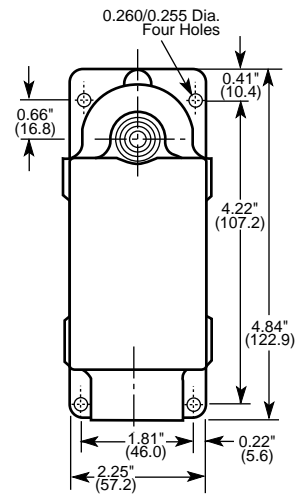
## STANDARD MOUNTING PLATE



## WIDE MOUNTING PLATE



## LONG MOUNTING PLATE



Dimensions: inches/(mm)

Limit Switches

# NAMCO

Namco Controls Corporation

Mayfield Village, OH 44143

(440) 460-1360 • FAX (440) 460-3800 • namcocontrols.com

For technical assistance, call 1-800-NAMTECH