

MICRO SWITCH

FREEPORT ILLINOIS U.S.A.
A DIVISION OF HONEYWELL

FED. MFG. CODE 91929

SWITCH-BASIC

CATALOG LISTING
V3-2401-D8

CKX2595

THIS DRAWING COVERS A PROPRIETARY ITEM AND IS THE PROPERTY OF MICRO SWITCH A DIVISION OF HONEYWELL. THIS DRAWING IS NOT TO BE COPIED OR USED WITHOUT THE APPROVAL OF MICRO SWITCH.

M

V3-2401-D8

M

DRAWING NUMBER

8

8

8

8

8

8

8

8

8

8

8

8

8

8

8

8

8

8

8

8

8

8

8

8

8

RELEASE NO. PR-4144-T

REPLACES

CHECK

18 APR 74

18 APR 74

18 APR 74

18 APR 74

18 APR 74

18 APR 74

18 APR 74

18 APR 74

18 APR 74

18 APR 74

18 APR 74

18 APR 74

18 APR 74

18 APR 74

18 APR 74

18 APR 74

18 APR 74

18 APR 74

18 APR 74

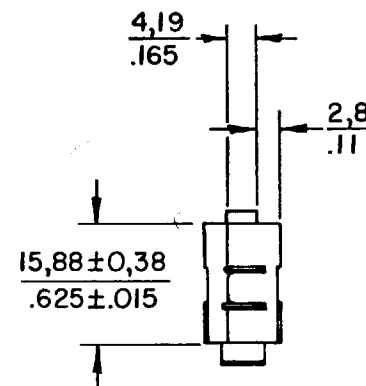
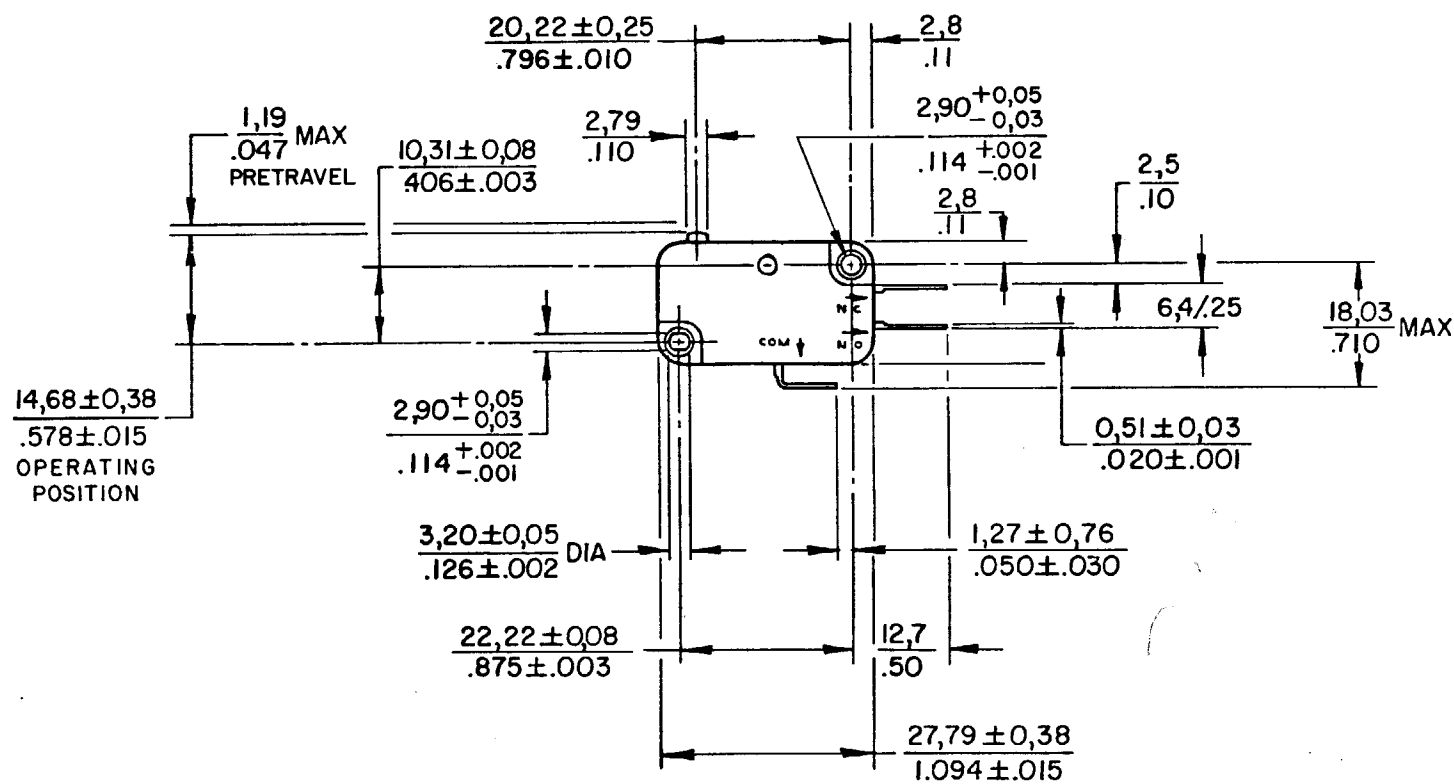
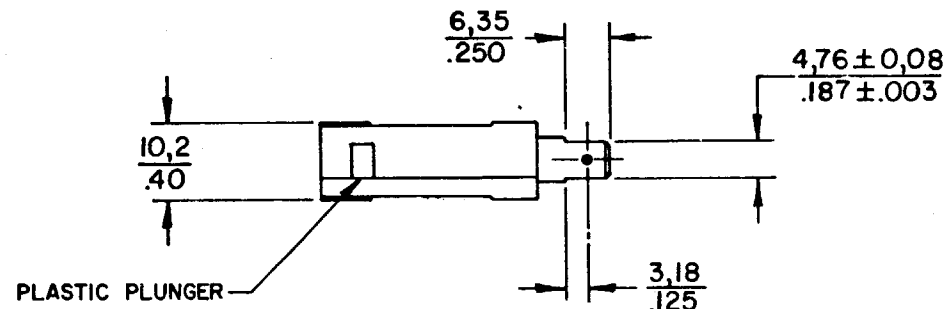
18 APR 74

18 APR 74

18 APR 74

18 APR 74

18 APR 74



NOTE -

- 1 - LINEAR MEASURE: $\frac{mm}{IN}$, mm / IN
- 2 - mm DIMENSIONS ARE FOR REF ONLY

CHARACTERISTICS	
OPERATING FORCE-----	25 GRAM MAX
RELEASE TRAVEL-----	0.26 / .010 MIN
DIFFERENTIAL TRAVEL-----	$\frac{0.05}{.002} \frac{0.26}{.010}$
OVERTRAVEL-----	1.27 / .050 MIN
FREE POSITION-----	15.88 / .625 MAX

ELECTRICAL DATA	
CONTACT ARRANGEMENT S P D T	
L162 5A-125, 250, 277VAC 1/10HP-250VAC	

SCALE FULL	
DO NOT SCALE PRINT	
UNLESS OTHERWISE NOTED	
DIMENSIONS ARE IN INCHES	
TOLERANCES ARE:	
ONE PLACE	(.01) ±0.8 / 0.30
TWO PLACE	(.001) ±0.38 / 0.15
THREE PLACE	(.0001) ±0.15 / 0.005
ANGLES	±
WEIGHT	

FO-52851

DRAWN

J A L 27 MAR 74 CHECK