

MTG-GL-168

REPLACES
DRAWING NUMBER
AO1B-38

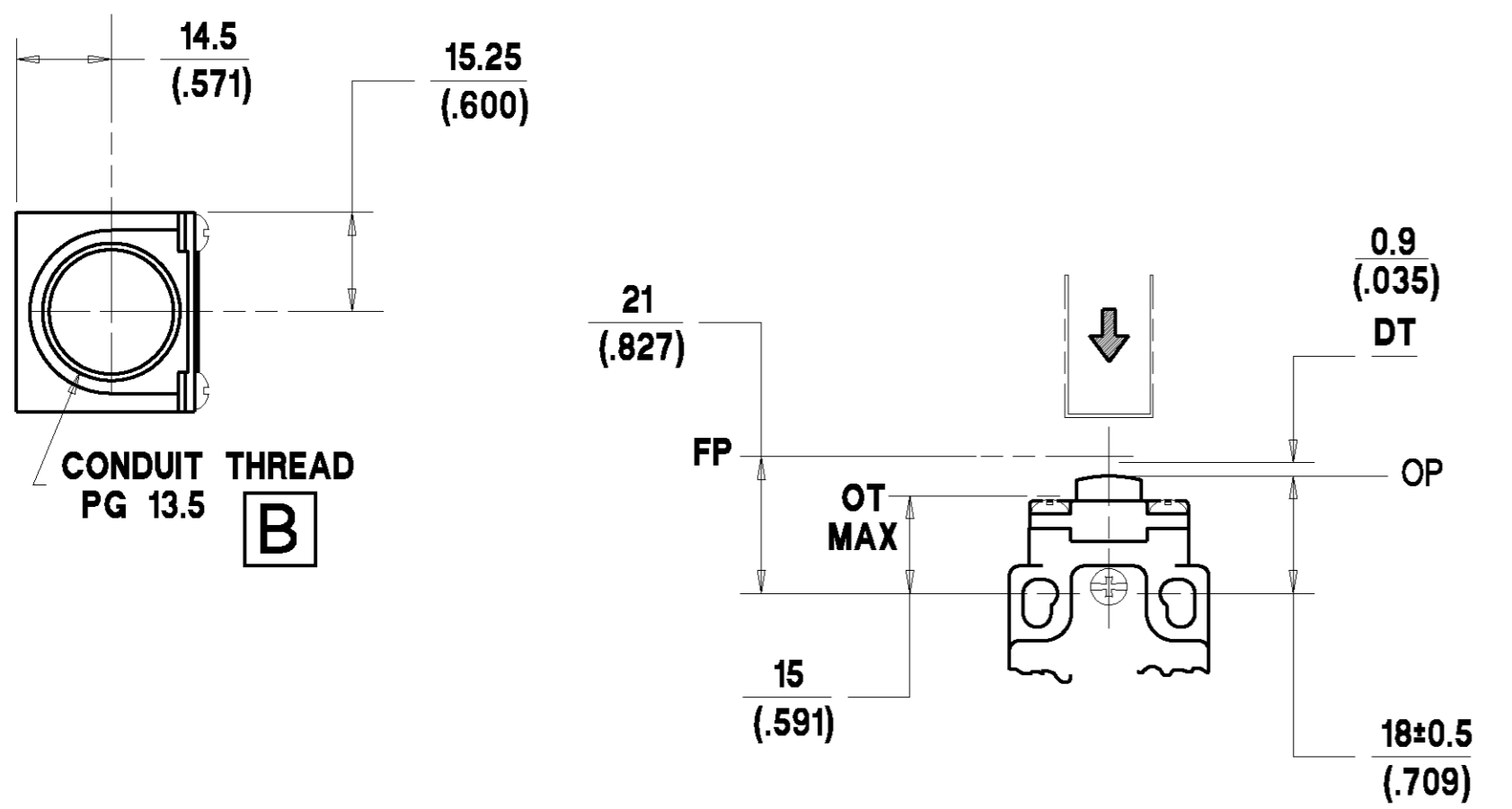
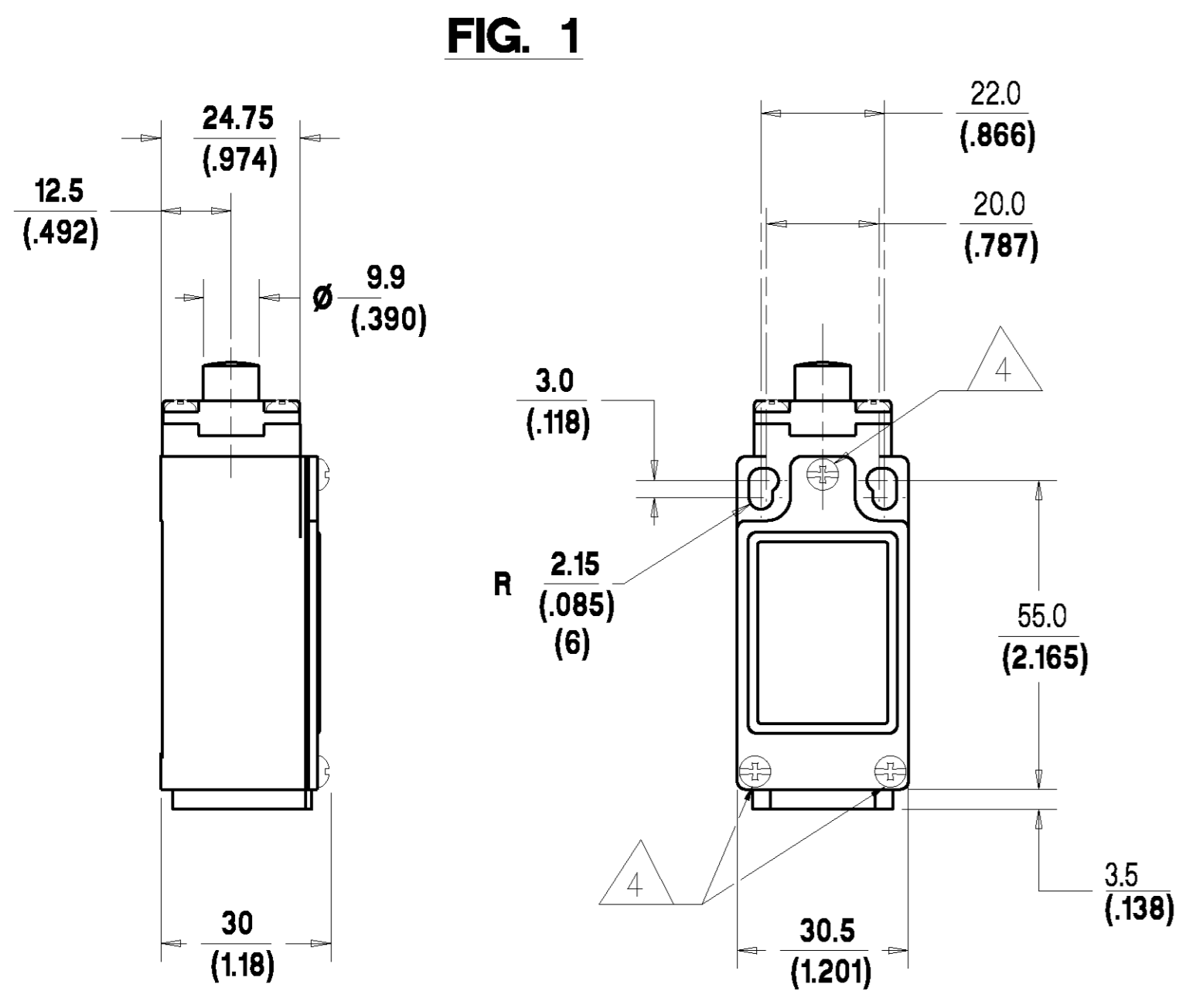
REVISIONS
DATE
DESCRIPTION

DRAWN
M. LOCH
CHECK
I. WEIR
DESIGN
J. BOYD
AUTHOR
P. TRICKETT

MODIFY ON CAD SYSTEM ONLY

Honeywell **LIMIT SWITCH**

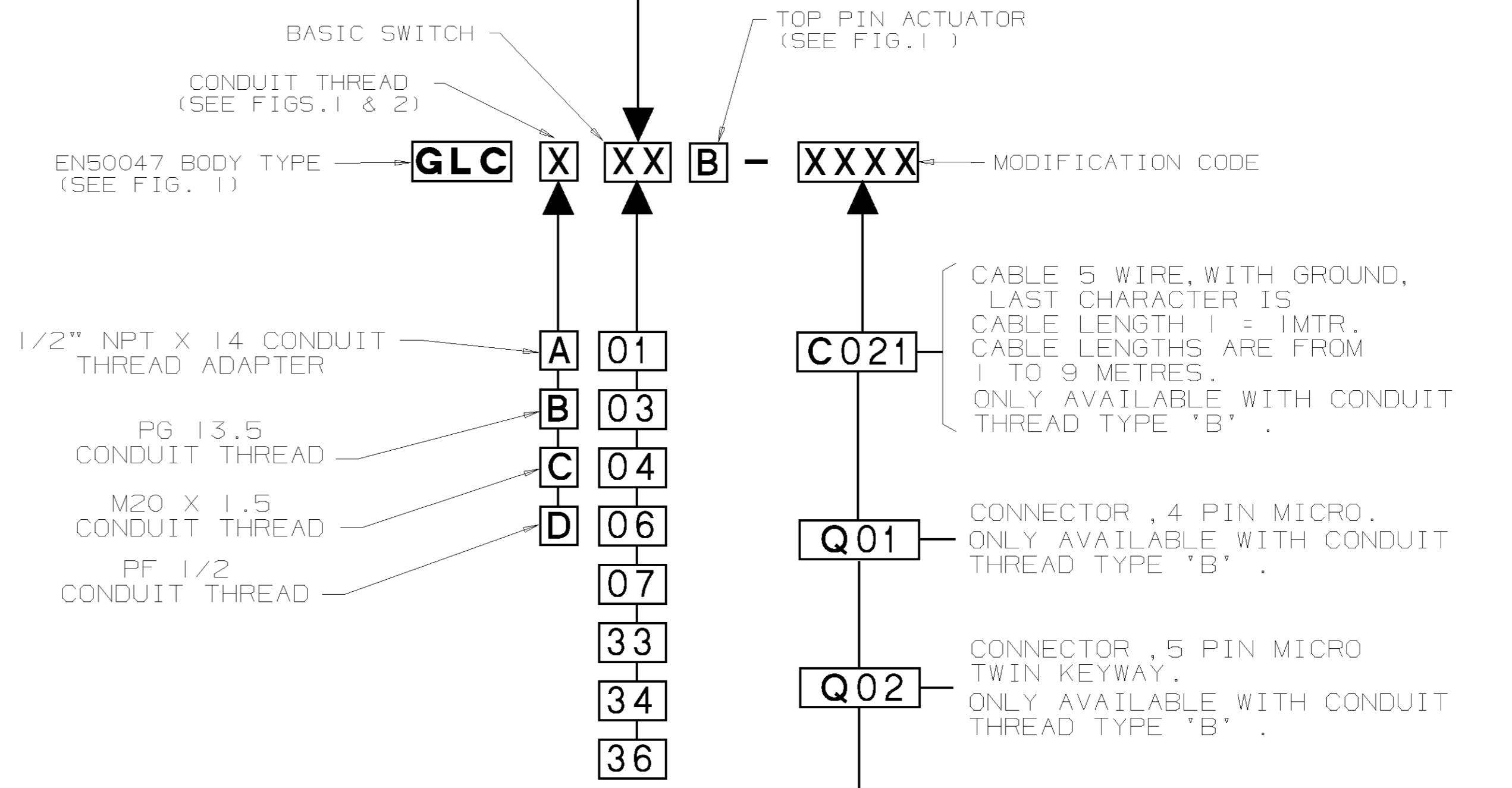
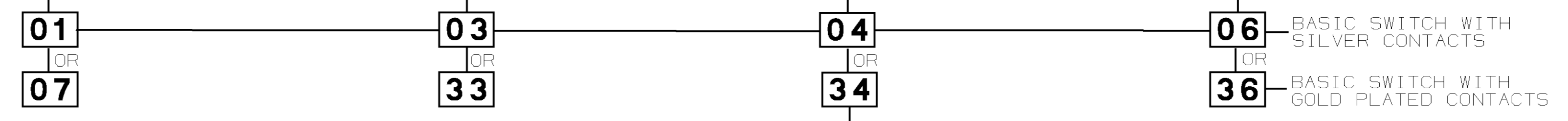
CATALOGUE LISTING
GLS
CHART NO.
MTG-GL-168



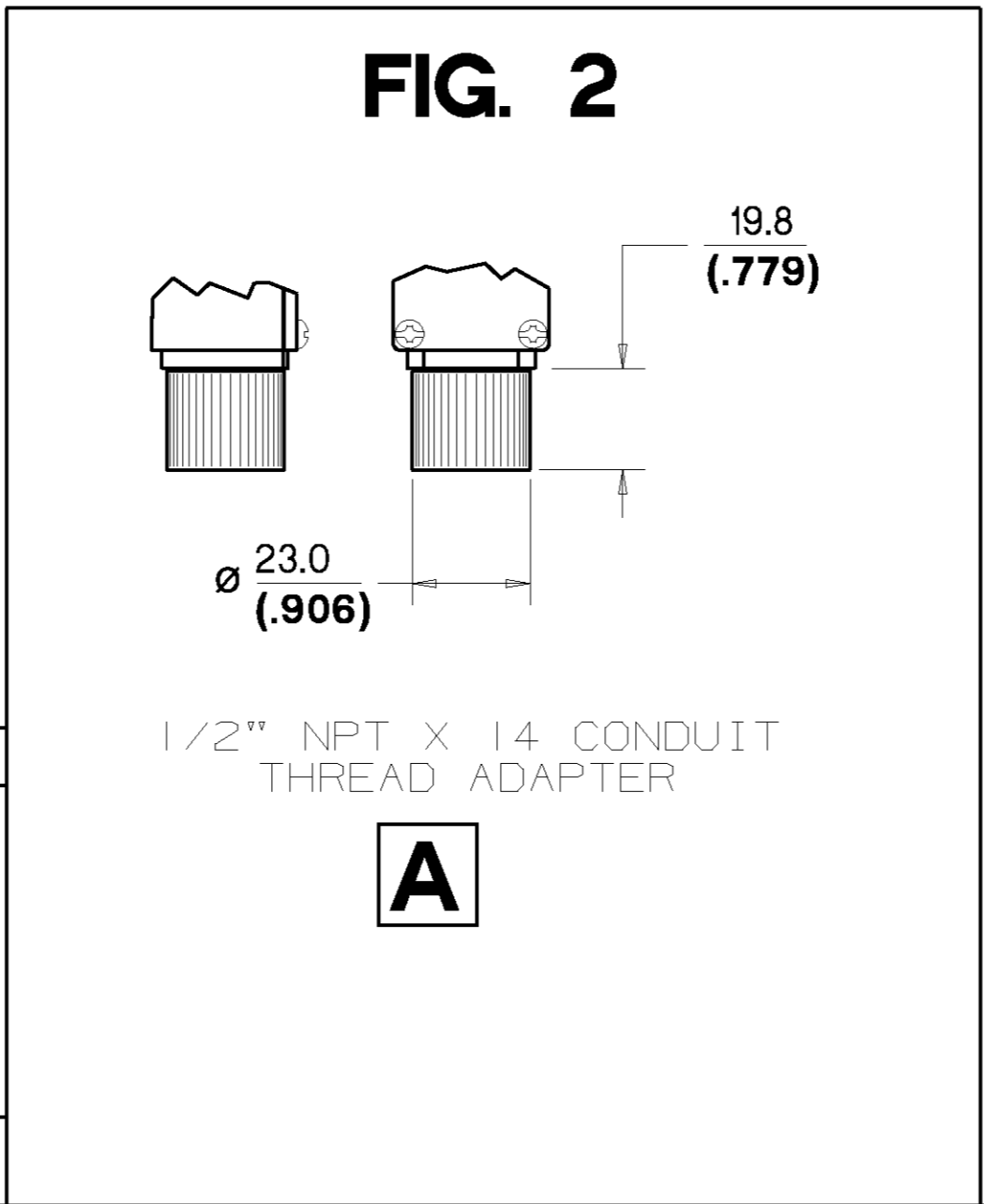
- NOTES:-
- ZINC DIECAST BODY AND HEAD WITH STEEL COVER. BODY AND COVER FINISHED IN MICRO SWITCH BLUE EPOXY PAINT. HEAD FINISHED IN BLACK EPOXY PAINT.
 - MINIMUM OPERATING VELOCITY (V_{min}) = 1.0 MM/S (THESE LIMITS APPLY TO CAM OPERATION AS SHOWN IN THE ABOVE DIAGRAMS ONLY)
MAXIMUM OPERATING VELOCITY (V_{max}) = 100 MM/S
MAXIMUM OPERATING FREQUENCY (F_{max}) = 250 OPS/MIN
 - FREE POSITION (FP), OPERATING POINT (OP), OVERTRAVEL (OT) AND PRETRAVEL (PT) ALL TO EN50047.
- ⚠️ MAXIMUM TIGHTENING TORQUE FOR FIXING SCREW = 0.5Nm (4.4in.LB)

NO CHANGES CAN BE MADE TO THIS DRAWING WITHOUT JOINT NEWHOUSE/FREEPORT APPROVAL

SNAP-ACTION CONTACTS	SLOW-ACTION CONTACTS (BREAK BEFORE MAKE)	SLOW-ACTION CONTACTS (MAKE BEFORE BREAK)	SLOW-ACTION CONTACTS (2 NORMALLY CLOSED)	CONTACT BLOCK DIAGRAM TERMINAL DESIGNATION TO EN 50013
				NOMINAL TRAVELS AND RELATED TERMINALS CONTACT CLOSED CONTACT OPEN * POSITIVE OPENING TO IEC 947-5-1-3
16 (3.6) 23 (5.2)	14 (3.2) 24 (5.4)	16 (3.6) 27 (6.1)	13 (2.9) 23 (5.2)	NORMAL OPERATING FORCE MAX N (lbf) MAXIMUM DISCONNECT FORCE N (lbf)



NOTE:- ANY STANDARD LISTING WITH SUFFIX 'RS' OR 'FE' IS PERMITTED.



STANDARD SILVER CONTACTS	GOLD PLATED CONTACTS	ENVIRONMENTAL	APPROVALS
ELECTRICAL RATING AC A300 AC15 Ue Ie VOLTS AMPS 120 6 240 3	ELECTRICAL RATING DC O300 DC13 Ue Ie VOLTS AMPS 125 0.55 250 0.27	ENVIRONMENTAL IP66 NEMA 1, 4, 12, 13 TEMP RANGE : -25°C TO 85°C -13°F TO 185°F STORAGE : -40°C TO 85°C -40°F TO 185°F SHOCK : 50G PER IEC 68-2-27 VIBRATION : 10G PER IEC 68-2-6	UL IEC 947-5-1 EN50047
I _{th} = 10A		IV 10μA MIN. 50V 100mA MAX.	

NOTE FOR CONNECTION DIAGRAMS AND ADDITIONAL ELECTRICAL, ENVIRONMENTAL & DIMENSIONAL INFORMATION SEE DRAWING GL-4922