

MICRO SWITCH

A DIVISION OF MINNEAPOLIS-HONEYWELL REGULATOR COMPANY
 FREEPORT, MINNESOTA
 FED. MFR. CODE 91929

SWITCH - BASIC

CATALOG LISTING
MT-4R

MT-4R

M

DRAWING NUMBER

ISSUE 10 14
 12 13

REVISIONS

A C.O. 9799
 C.M.A. 4 AUG 55
 B C.O. 11613
 N.H.L. 31 JULY 57
 C C.O. 13960
 M.B.F. 22 OCT 59
 D C.O. 35255
 D.B.W. 1 MAY 75
 E C.O. 46819
 W.J.M. 26 NOV 79

(M) MT-4R
 ISSUE 8

REPLACES

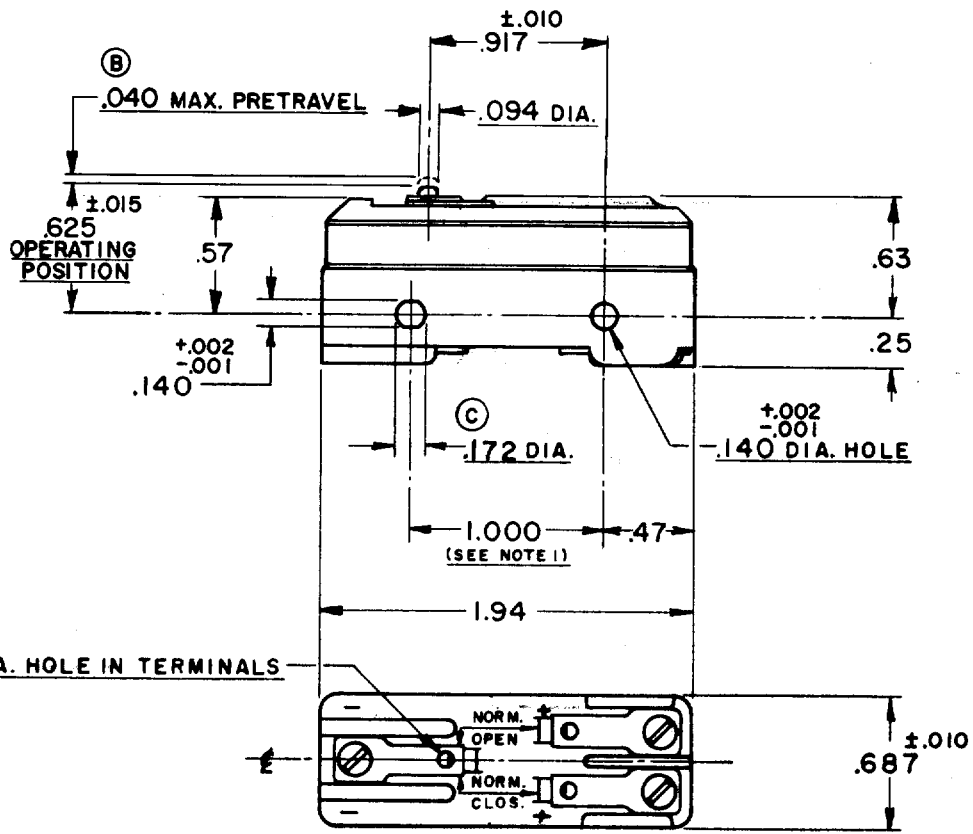
RELEASE NO.

CHECK

CHECK

CHECK

C.M.A. 4 AUG 55



NOTE -
 1- MOUNTING HOLES WILL ACCEPT PINS OR SCREWS OF .139 MAX. DIA. ON 1.000^{±.002} CENTERS.
 2- FOR BEST RESULTS EITHER POLARIZE THE SWITCH WITH COMMON TERMINAL BEING OF NEGATIVE POLARITY OR MOUNT THE SWITCH WITH BRASS SCREWS AND SPACE AT LEAST .250 FROM MAGNETIC MATERIALS.

THIS DRAWING COVERS A PROPRIETARY ITEM AND IS THE PROPERTY OF MICRO SWITCH, A DIVISION OF HONEYWELL. THIS DRAWING IS NOT TO BE COPIED OR USED WITHOUT THE APPROVAL OF MICRO SWITCH.

CHARACTERISTICS	ELECTRICAL DATA	SCALE FULL
OPERATING FORCE ----- 12-18 OZ. (A)	CONTACT ARRANGEMENT S. P. D. T.	DO NOT SCALE PRINT
RELEASE FORCE ----- 5 OZ. MIN.	NON-POLARIZED VOLTS D-C MOTOR RESISTIVE 125 1/4 HP + 10 AMPS 250 -- 1.5 TO 3.0	UNLESS OTHERWISE SPECIFIED DIMENSIONS ARE IN INCHES
DIFFERENTIAL TRAVEL ----- .004-.007	POLARIZED OR NON-MAGNETICALLY MOUNTED VOLTS D-C MOTOR RESISTIVE 125 1/2 HP + 10 AMPS 250 -- 1.5 TO 3.0	TOLERANCES ARE:
OVERTRAVEL ----- .005 MIN.	* NOT SUITABLE FOR USE AT LESS THAN 1.5 AMPS + WILL NOT BREAK LOCKED ROTOR CURRENT	ONE PLACE (.0) ±.030 TWO PLACE (.00) ±.015 THREE PLACE (.000) ±.005 ANGLES ±
	(C) UNCL. LAB. INC. LISTED RATING (NON-POLARIZED) - 125 - 1/2 A - 125 VDC OR AC; 1/4 HP - 125 VDC	WEIGHT .060 LB.