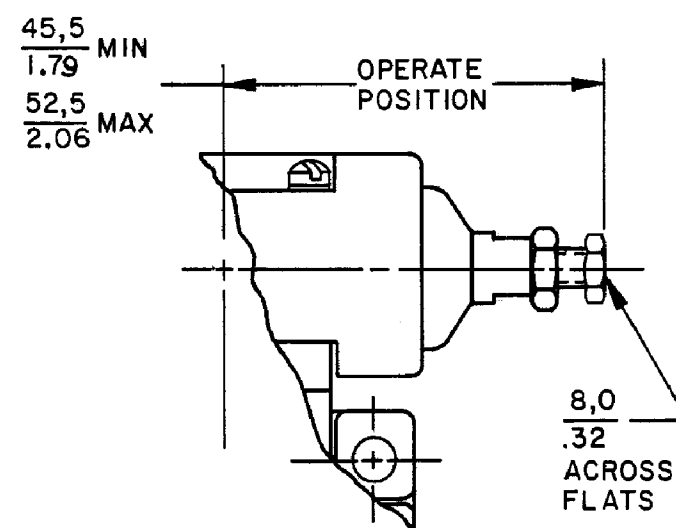
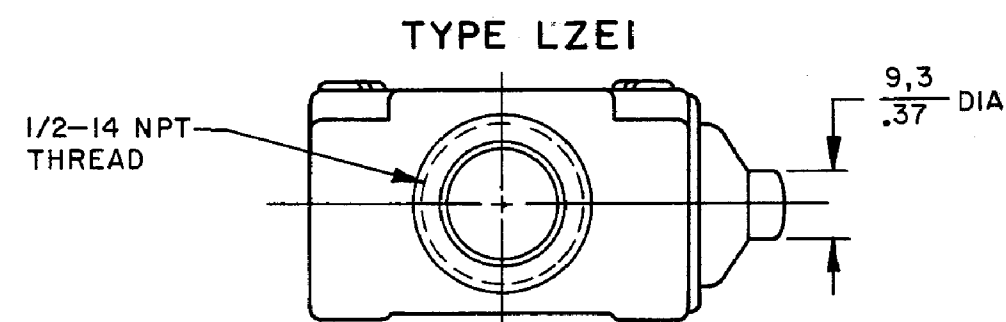
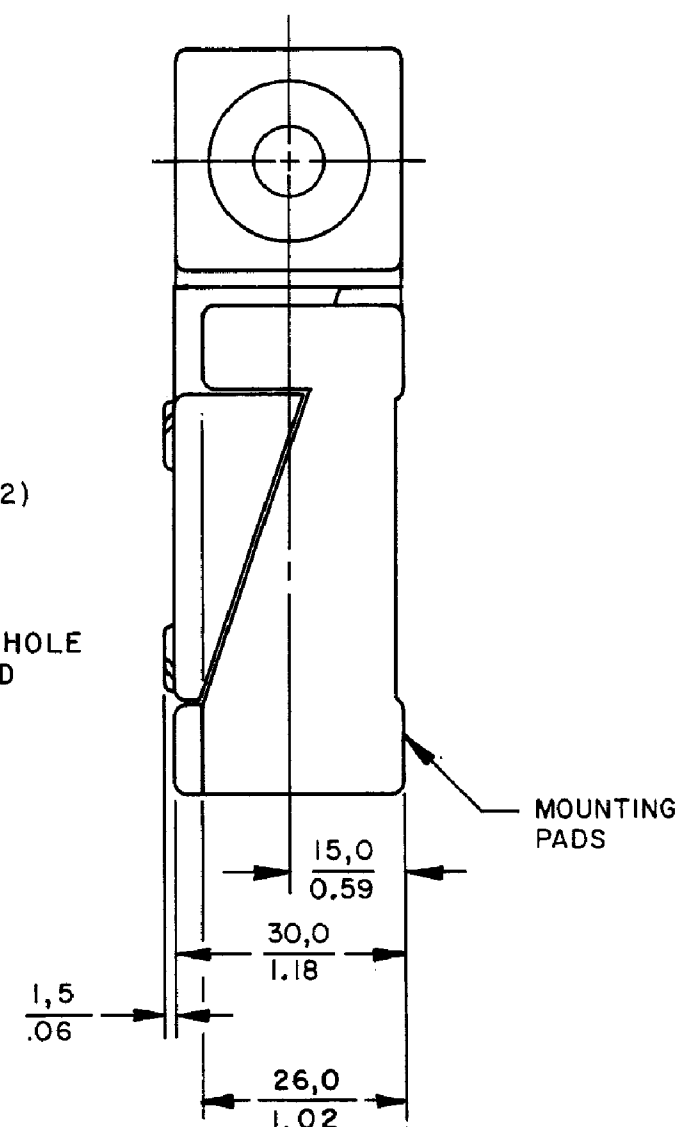
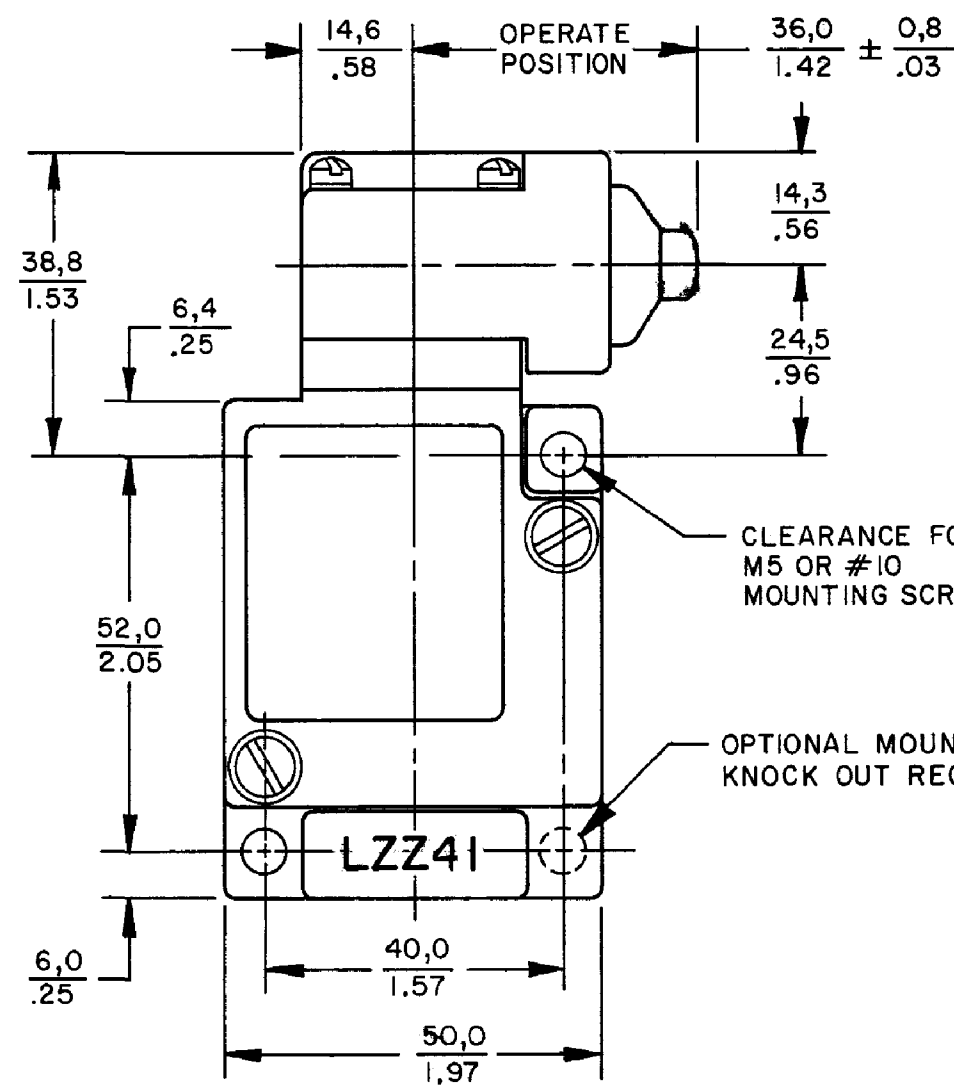
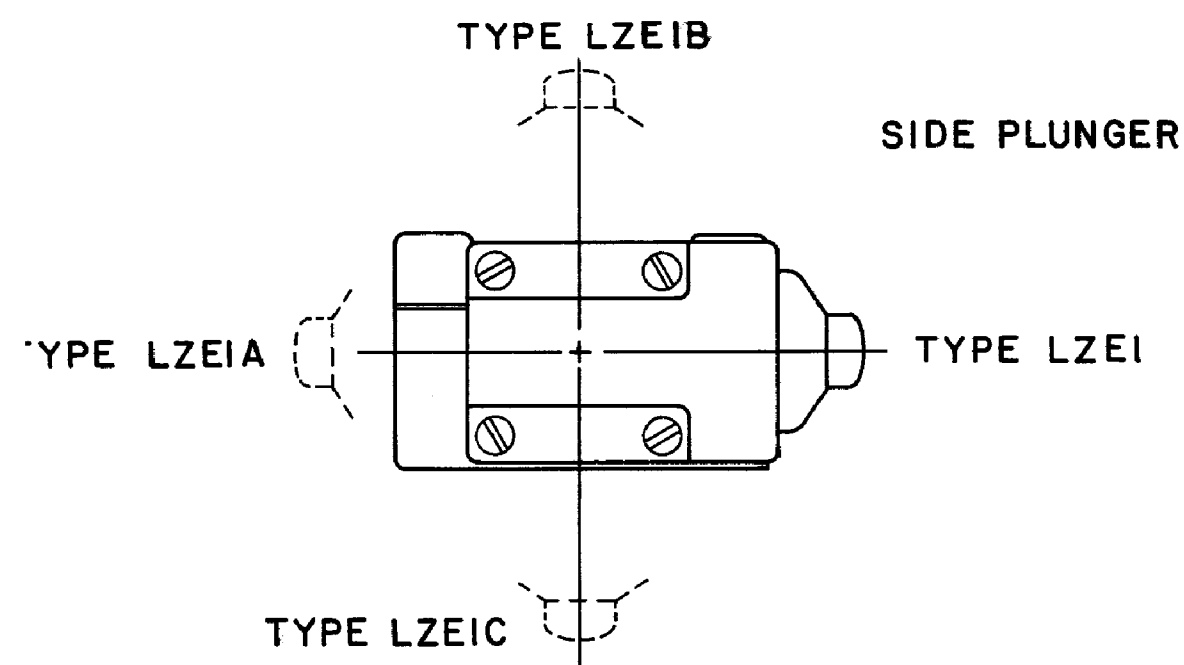
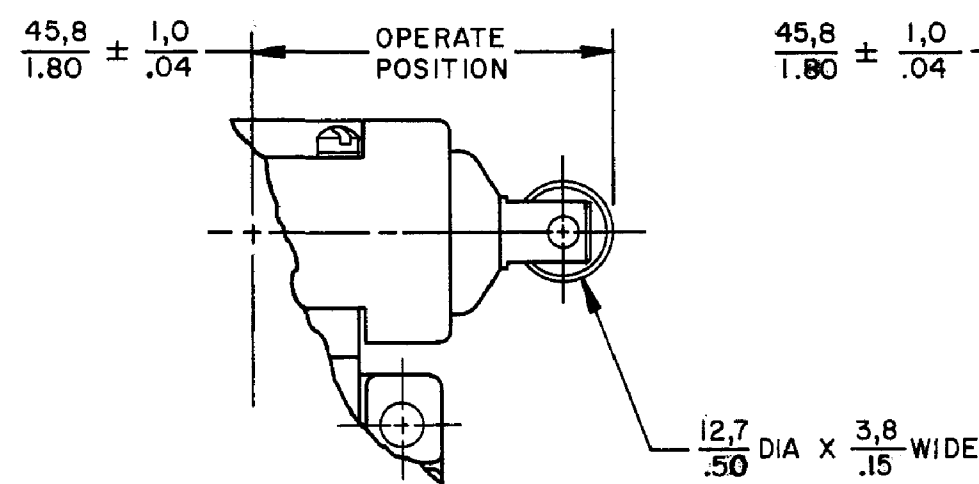


CHARACTERISTICS

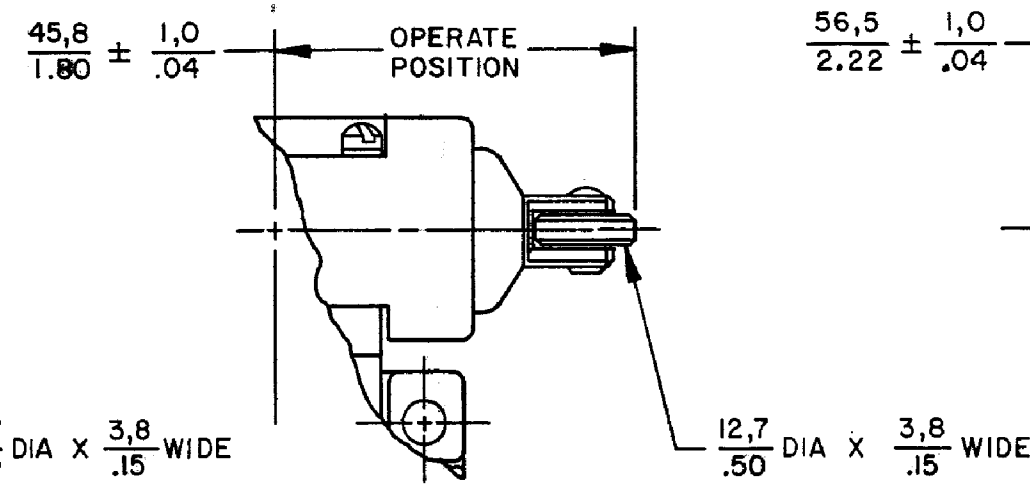
OPERATE FORCE	-----	$\frac{13,5N}{48.6\text{ OZ}}$ MAX	-----	$\frac{8,0N}{28.8\text{ OZ}}$ TYP
PRETRAVEL	-----	$\frac{3,0\text{ mm}}{.12\text{ IN}}$ MAX	-----	$\frac{2,0\text{ mm}}{.08\text{ IN}}$ TYP
OVERTRAVEL	-----	$\frac{5,0\text{ mm}}{.20\text{ IN}}$ MIN	-----	$\frac{5,5\text{ mm}}{.22\text{ IN}}$ TYP
DIFFERENTIAL TRAVEL	-----	$\frac{0,13\text{ mm}}{.005\text{ IN}}$ MAX	-----	$\frac{0,05-0,08\text{ mm}}{.002-.003\text{ IN}}$ TYP
RELEASE TRAVEL	-----	$\frac{0,5\text{ mm}}{.020\text{ IN}}$ MIN	-----	$\frac{1,9\text{ mm}}{.075\text{ IN}}$ TYP



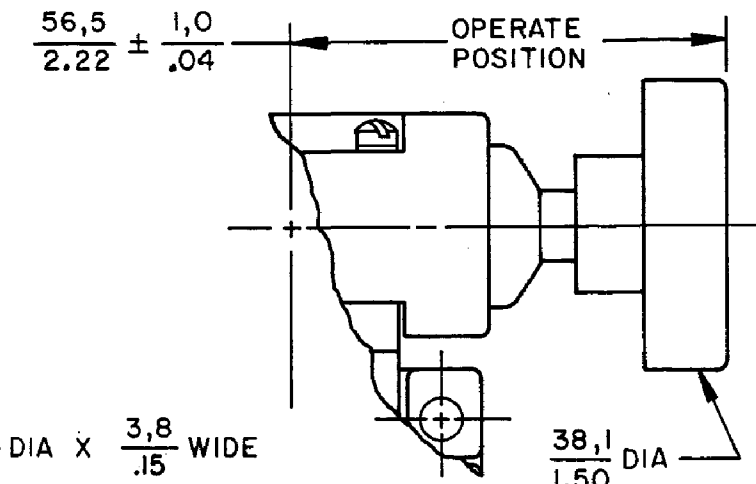
TYPE LZWI



TYPE LZFI



TYPE LZGI



TYPE LZHI

CATALOG LISTING LZA-LZY SERIES CHART 2
PAGE 1 OF 2
ISSUE 5
REPLACES PR-8093
CHECK 31 OCT 98
FORMTEK
DRAWN G J W
CHECK J A F
31 OCT 98

THIS DRAWING COVERS A PROPRIETARY ITEM AND IS THE PROPERTY OF MICRO SWITCH, A DIVISION OF HONEYWELL. THIS DRAWING IS NOT TO BE COPIED OR USED WITHOUT THE APPROVAL OF MICRO SWITCH.

MICRO SWITCH
a Honeywell Division

SWITCH -ENCLOSED

CATALOG LISTING
LZA-LZY SERIES
CHART 2

FED. MFG. CODE 91929

THIRD ANGLE PROJECTION

SCALE FULL

DO NOT SCALE PRINT

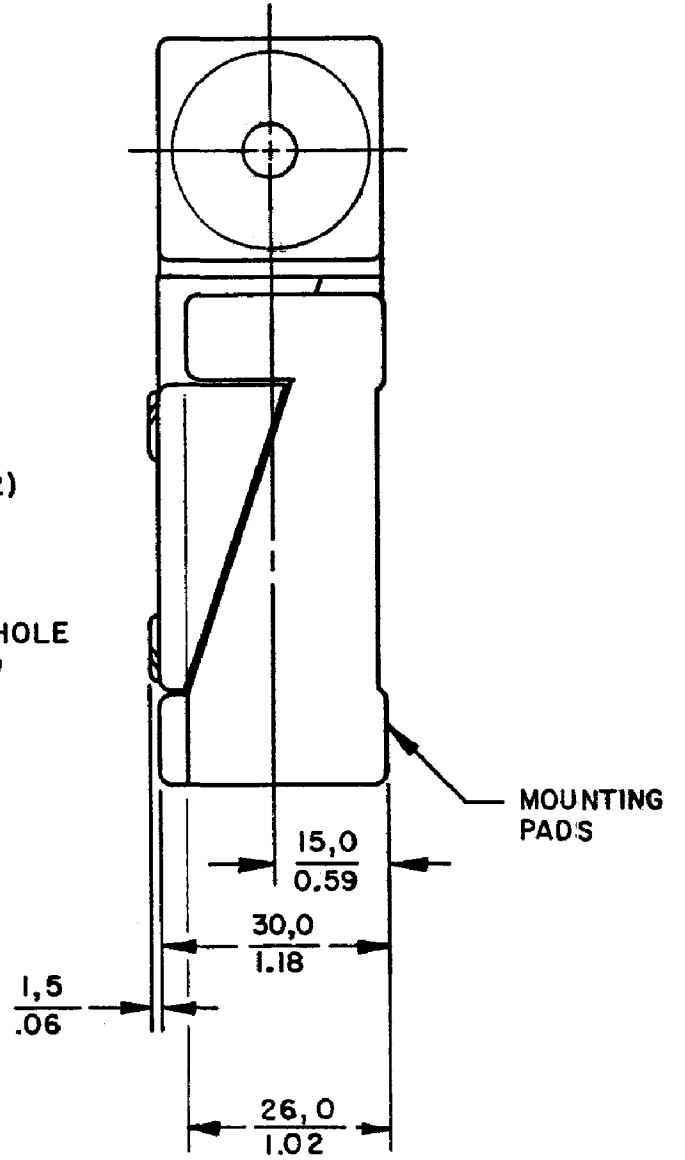
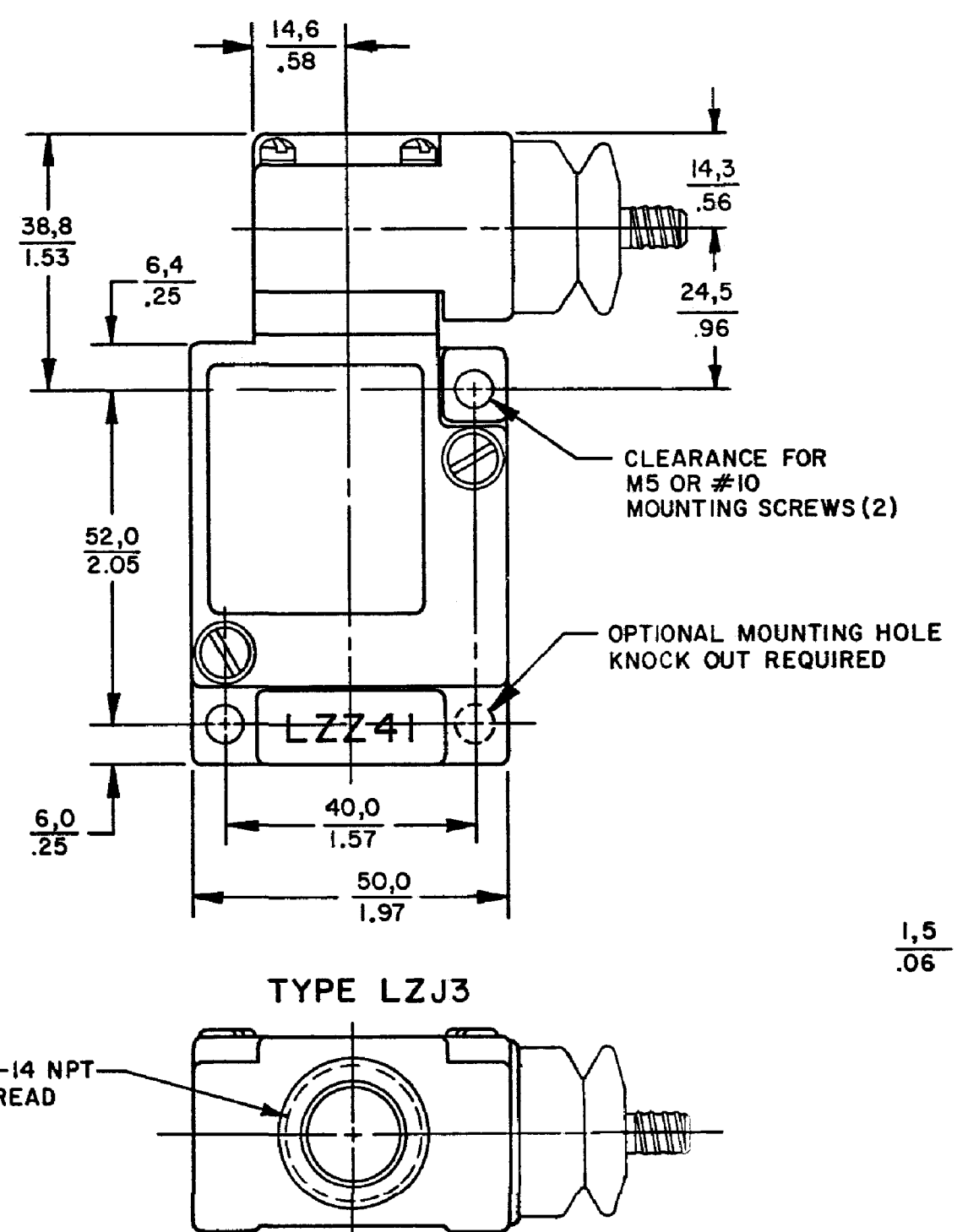
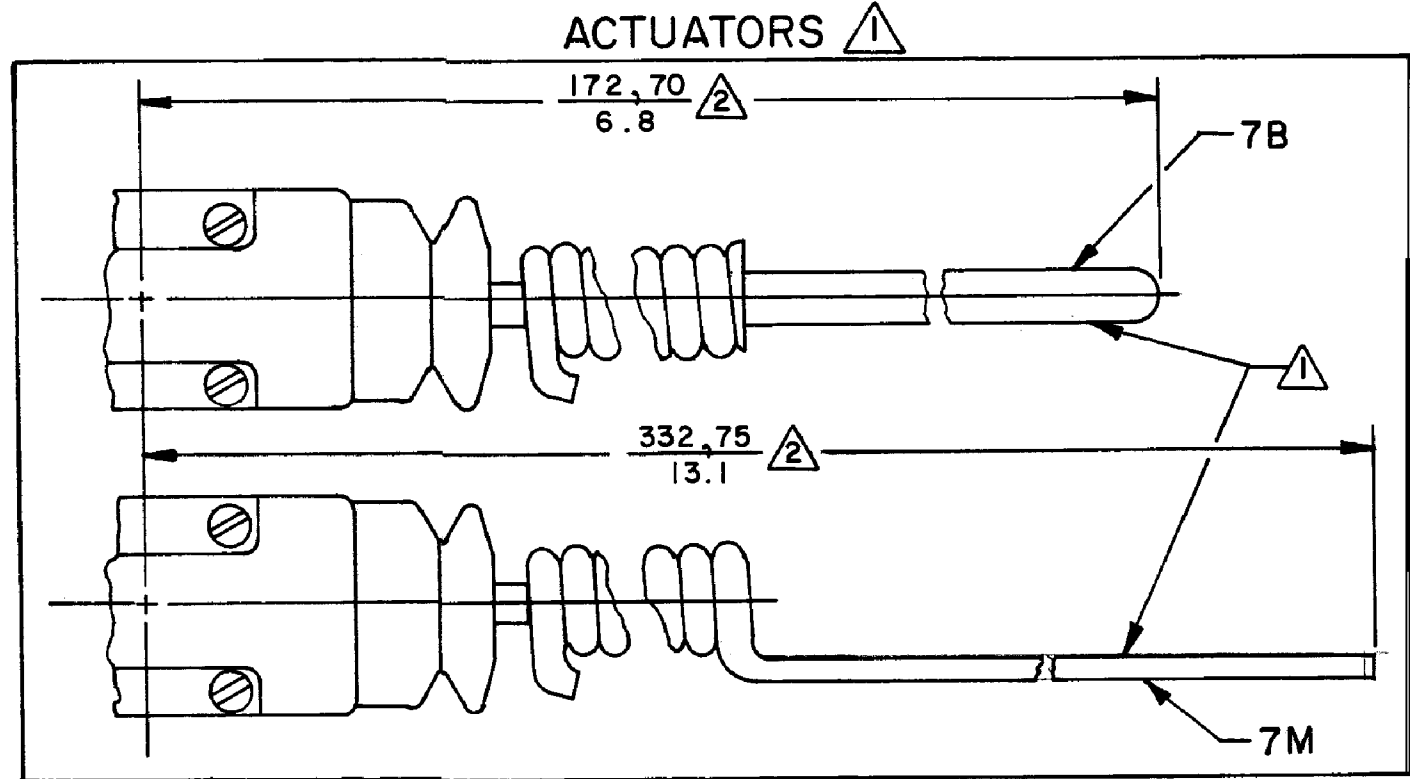
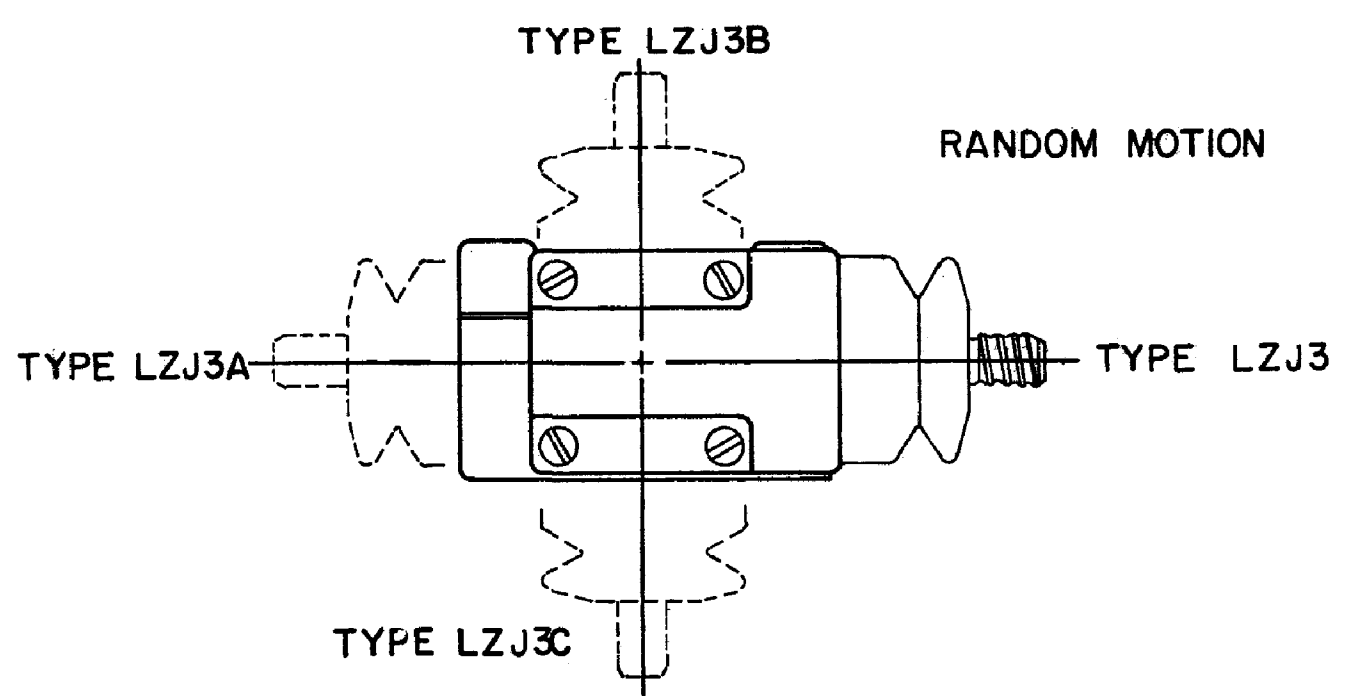
TOLERANCES
APPLY TO DESIGN UNITS. CONVERSIONS ARE ONLY FOR REFERENCE. UNLESS NOTED, TOLERANCES ARE:

NO PLACES	DIM	TOL	DIM	TOL
ONE PLACE	mm	mm/100	in	mm/100
TWO PLACES	X	1/100	X.X	0.04/016
THREE PLACES	X.XX	0.001/008	X.XXX	0.38/005
ANGLES			X.XXX	0.13/005

DESIGN UNITS: SI METRIC US CUSTOMARY

WEIGHT

CHARACTERISTICS	ACTUATOR TYPES	
	7B	7M
OPERATING FORCE (MAXIMUM)	$\frac{1.95N}{7 \text{ OZ}}$	$\frac{1.11N}{4 \text{ OZ}}$
PRETRAVEL RADIUS (APPROXIMATE)	$\frac{25.4 \text{ mm}}{1 \text{ INCH}}$	$\frac{76.2 \text{ mm}}{3 \text{ INCHES}}$



NOTES
 1 ACTUATORS FURNISHED UNASSEMBLED
 2 LENGTH FROM CENTERLINE OF SWITCH TO THE END OF THE ACTUATOR WHEN ACTUATOR IS ASSEMBLED TO SWITCH
 3 LINEAR MEASURE $\frac{\text{mm}}{\text{IN.}}$ OR mm/IN.

CATALOG LISTING LZA-LZY SERIES CHART 2
 ISSUE 5
 PAGE 2 OF 2
 RELEASE NO. PR-8093
 REVISIONS
 A 6/30/98
 G J W 31 OCT 98
 CHECK J A F 31 OCT 98
 FORMTEK
 MASTER REDUCED

THIS DRAWING COVERS A PROPRIETARY ITEM AND IS THE PROPERTY OF MICRO SWITCH, A DIVISION OF HONEYWELL. THIS DRAWING IS NOT TO BE COPIED OR USED WITHOUT THE APPROVAL OF MICRO SWITCH.

MICRO SWITCH
 a Honeywell Division

SWITCH -ENCLOSED

CATALOG LISTING
LZA-LZY SERIES
 CHART 2

FED. MFG. CODE 91929

THIRD ANGLE PROJECTION			
SCALE FULL			
DO NOT SCALE PRINT			
TOLERANCES			
APPLY TO DESIGN UNITS. CONVERSIONS ARE ONLY FOR REFERENCE. UNLESS NOTED, TOLERANCES ARE:			
DM	TOL	DM	TOL
mm	mm/16	in	mm/16
NO PLACES	X	1/16	X.X
ONE PLACE	X.X	0.4/0.06	X.X
TWO PLACES	X.XX	0.15/0.025	X.XX
THREE PLACES	X.XXX		X.XXX
ANGLES			
SI METRIC		US CUSTOMARY	
DESIGN UNITS	<input type="checkbox"/>	<input checked="" type="checkbox"/>	
WEIGHT			