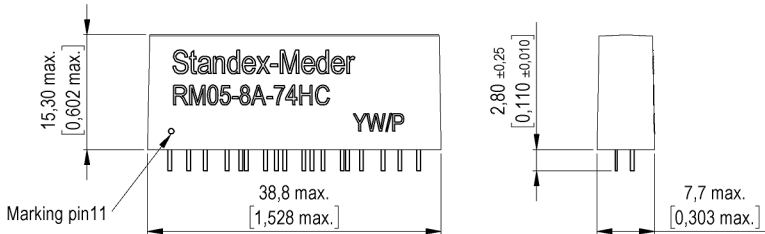
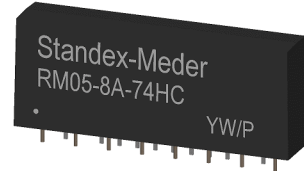
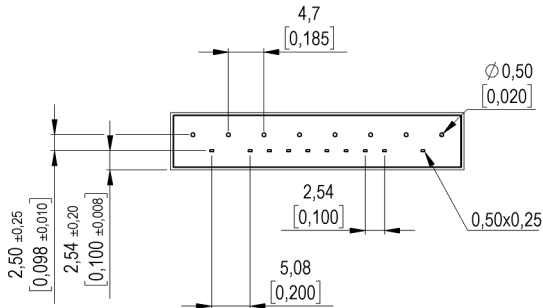


Dimensions mm[inch]

tolerances acc. to DIN ISO 2768-m
 Toleranzen gem. DIN ISO 2768-m

Isometric

Scale 1:1
 Maßstab 1:1

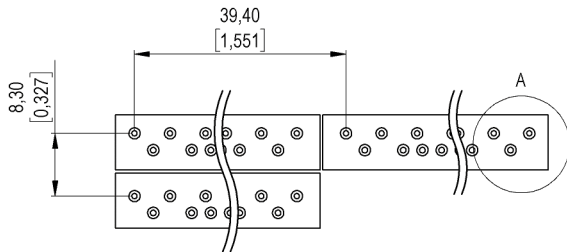


Marking

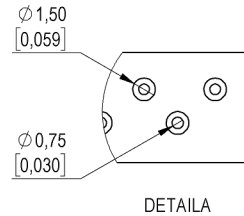
according to EN60062/ factory code
 gem. EN 60060/ Fertigungsstätte



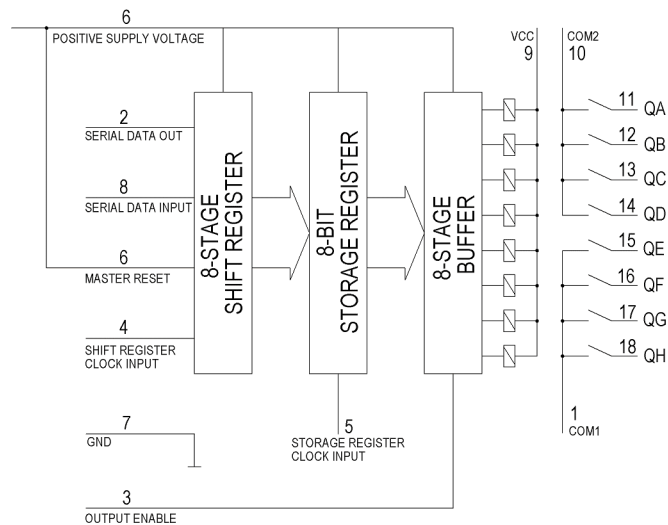
Recommended Matrix Layout



Recommended PCB Pad Layout



Block diagram





Europe: +49 / 7731 8399 0 | Email: info@standexmeder.com
 USA: +1 / 508 295 0771 | Email: salesusa@standexmeder.com
 Asia: +852 / 2955 1682 | Email: salesasia@standexmeder.com

Item No.:
9605080055
 Item:
RM05-8A-74HC

Coil Data at 20 °C	Conditions	Min	Typ	Max	Unit
Coil resistance		450	500	550	Ohm
Nominal voltage			5		VDC
Operating voltage		4,75	5	5,25	VDC

Contact data 46	Conditions	Min	Typ	Max	Unit
Contact rating	combination of switching voltage and current not to exceed their individual max.'s			10	W
Switching voltage	DC or Peak AC			125	V
Switching current	DC or Peak AC			1	A
Carry current	DC or Peak AC			1,5	A
Contact resistance static	Measured with 40% overdrive Start Value			100	mOhm
Insulation resistance	RH <45 %, 100 V test voltage	10			GOhm
Breakdown voltage	according to EN 60255-5	200			VDC
Operate time incl. bounce	measured with 40% overdrive			0,4	ms
Release time	measured with no coil excitation			0,1	ms
Capacity	@ 10 kHz across open switch		0,3		pF

Special Product Data	Conditions	Min	Typ	Max	Unit
Standby current			0,15		mA
Number of contacts			8		
Dielectric Strength Coil/Contact	according to EN 60255-5	1,5			kV DC
Insulation resistance Coil/Contact	RH <45%, 200 VDC Measuring Voltage	100			GOhm
Housing material			Epoxy molding compound		
Sealing compound			Epoxy resin		
Connection pins			Cu-alloy tinned		
Connection pins			FeNi-alloy tin plated		
Magnetic Shield			yes		
Reach / RoHS conformity			yes		
Remarks			IC= 8-BIT shift register 74HC595		

Environmental data	Conditions	Min	Typ	Max	Unit
Operating temperature		-20		40	°C
Storage temperature		-35		95	°C
Soldering Temperature Tsold	Reflow acc.IPC/JEDEC J-STD-020D.1			260	°C
Washability			fully sealed		

General data	Conditions	Min	Typ	Max	Unit
Packaging			ESD-Tube per 25 pcs.		

Modifications in the sense of technical progress are reserved

Designed at: 21.06.16 Designed by: DVUCKOVIC
 Last Change at: Last Change by:

Approval at: 13.09.17 Approval by: DSTASTNY
 Approval at: Approval by:

Version: 1